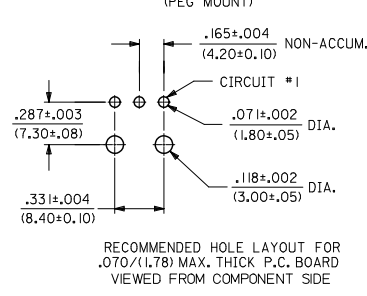
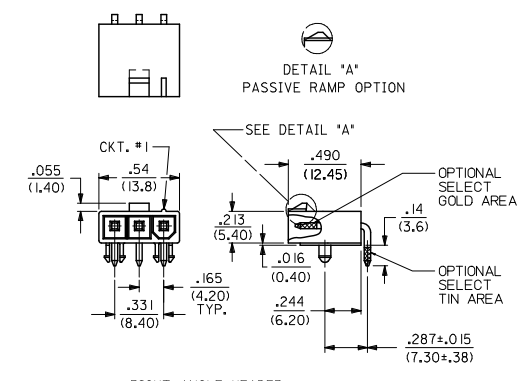
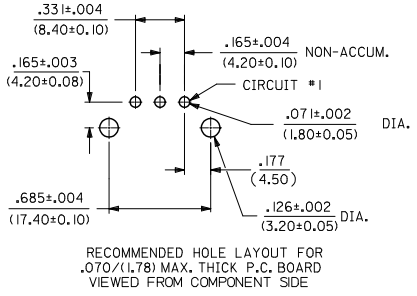
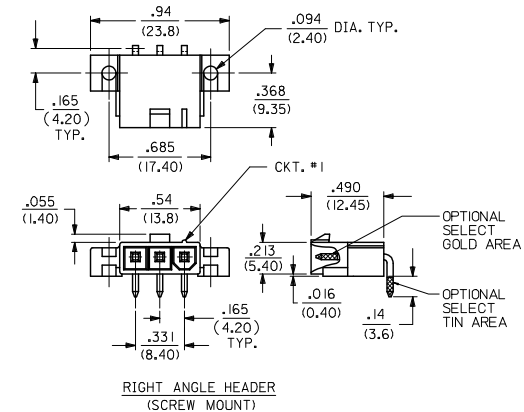


PART NUMBER	ENGINEERING NUMBER	MOUNT OPTION	PLATING	MAT'L.
39-31-1032	5569-03A4-BL	4	BLANK	BL
39-30-3031	5569-03A3	3	BLANK	BLANK
39-30-4039	5569-03A3GS2	3	15 GOLD	
39-30-4037	5569-03A3GS	3	30 GOLD	
39-30-4035	5569-03A3G2	3	15 GOLD	
39-30-3033	5569-03A3G	3	30 GOLD	
39-30-3035	5569-03A4	4	BLANK	
39-30-4033	5569-03A4GS2	4	15 GOLD	
39-30-4031	5569-03A4GS	4	30 GOLD	
39-30-3039	5569-03A4G2	4	15 GOLD	
39-30-3037	5569-03A4G	4	30 GOLD	
39-30-6039	5569-03A3S	3	TIN/NICKEL	
39-30-7031	5569-03A4S	4	TIN/NICKEL	BLANK
39-30-3032	5569-03A3-2IO	3	BLANK	2IO
39-30-5030	5569-03A3GS2-2IO	3	15 GOLD	
39-30-4038	5569-03A3GS-2IO	3	30 GOLD	
39-30-4036	5569-03A3G2-2IO	3	15 GOLD	
39-30-3034	5569-03A3G-2IO	3	30 GOLD	
39-30-3036	5569-03A4-2IO	4	BLANK	
39-30-4034	5569-03A4GS2-2IO	4	15 GOLD	
39-30-4032	5569-03A4GS-2IO	4	30 GOLD	
39-30-4030	5569-03A4G2-2IO	4	15 GOLD	
39-30-3038	5569-03A4G-2IO	4	30 GOLD	
39-30-7030	5569-03A3S-2IO	3	TIN/NICKEL	
39-30-7032	5569-03A4S-2IO	4	TIN/NICKEL	
50-34-8577	5569-03A4MS-2IO	4	MATTE TIN	2IO
NO E.D.P.	5569-03A5	5	BLANK	BLANK
NO E.D.P.	5569-03A5GS2	5	15 GOLD	
NO E.D.P.	5569-03A5GS	5	30 GOLD	
NO E.D.P.	5569-03A5G2	5	15 GOLD	
NO E.D.P.	5569-03A5G	5	30 GOLD	
NO E.D.P.	5569-03A5S	5	TIN/NICKEL	BLANK
NO E.D.P.	5569-03A5-2IO	5	BLANK	2IO
NO E.D.P.	5569-03A5GS2-2IO	5	15 GOLD	
NO E.D.P.	5569-03A5GS-2IO	5	30 GOLD	
NO E.D.P.	5569-03A5G2-2IO	5	15 GOLD	
NO E.D.P.	5569-03A5G-2IO	5	30 GOLD	
39-34-3037	5569-03A5S-2IO	5	TIN/NICKEL	2IO



NOTES:

1) HOUSING MATERIAL:
 "BLANK" = NYLON 6/6, U.L. 94V-2, COLOR: NATURAL.
 2IO = NYLON 6/6, U.L. 94V-0, COLOR: NATURAL.
 BL = NYLON 6/6, U.L. 94V-2, COLOR: BLACK.

2) PART MATES WITH MOLEX RECEPTACLE #5557.

3) TERMINAL MATERIAL: BRASS, ALLOY

4) TERMINAL PLATING:
 "BLANK" - .000200/(.00508) MIN. BRIGHT TIN OVER .00100/(.00254) MIN. COPPER OVERALL.
 G - .00030/(.00076) MIN. GOLD OVER .000050/(.00127) MIN. NICKEL OVERALL.
 G2 - .000015/(.00038) MIN. GOLD OVER .000030/(.00076) MIN. NICKEL OVERALL.
 S - .000100/(.00254) MIN. BRIGHT TIN OVER .000050/(.00127) MIN. NICKEL.
 MS - .000100/(.00254) MIN. MATTE TIN OVER .000050/(.00127) MIN. NICKEL

*GS - .000030/(.00076) MIN. SELECT GOLD, .000100/(.00254) MIN. SELECT MATTE TIN OVER .000050/(.00127) MIN. NICKEL OVERALL.
 *GS2 - .000015/(.00038) MIN. SELECT GOLD, .000100/(.00254) MIN. SELECT MATTE TIN OVER .000050/(.00127) MIN. NICKEL OVERALL.

*THE PRIMARY SHIPPING CARTON WILL BE LABELED "COMPLIANT TO ROHS DIRECTIVE 2002/95/EC AND ELV ANNEX II OF DIRECTIVE 2000/53/EC." CARTONS WITHOUT THIS LABEL MAY CONTAIN PRODUCT WITH TIN-LEAD PLATING.

5) PRODUCT SPECIFICATION AND PROCESSING PARAMETERS: SEE PS-5556-001

- PART IS DESIGNED FOR USE WITH 4 - 40 OR M3 SCREWS.
- DISCOLORATION IN THE BANDOLIER CARRIER AREA OF THE PIN IS INHERENT TO THE PLATING PROCESS AND IS DUE TO THE MASKING EFFECT OF THE CARRIER. THIS DISCOLORATION IS IN A NON-FUNCTIONAL AREA OF THE PIN AND WILL NOT AFFECT THE PERFORMANCE OF THE HEADER ASSEMBLY.
- CONNECTORS ARE NOT TO BE MATED OR UNMATED WHILE CIRCUITS ARE LIVE.
- PARTS ARE NOT DESIGNED FOR CURRENT SHARING.
- PART CONFORMS TO CLASS "B" REQUIREMENTS OF COSMETIC SPECIFICATION PS-45499-002.

LEGEND

5569-03A***

BASE NO. [Symbol]
 CIRCUIT SIZE [Symbol]
 ASSEMBLY [Symbol]
 MOUNTING & RAMP OPTION [Symbol]
 HOUSING MAT'L. OPTION (SEE NOTE 1) [Symbol]
 PLATING OPTION (SEE NOTE 4) [Symbol]

*3 = SCREW MOUNT, POSITIVE RAMP
 *4 = PEG MOUNT, POSITIVE RAMP
 *5 = PEG MOUNT, PASSIVE RAMP

ADDED 50348577	QUALITY SYMBOLS	GENERAL TOLERANCES (UNLESS SPECIFIED)	DIMENSION STYLE IN/MM	SCALE 1:1	DESIGN UNITS METRIC	THIRD ANGLE PROJECTION
EC NO. UCP2009-190	▽=0	4 PLACES ±.010 ±.010	DRAWN BY GEP DATE 9/20/90	TITLE RIGHT ANGLE HEADER ASSY, 3 CKT., SINGLE ROW, MINI-FIT JR. SERIES		
DRWN: JKLUSTMEIER 2008/11/14	▽=0	3 PLACES ±.010 ±.010	CHECKED BY RJF DATE 9/20/90			
CHKD: BELL 2008/11/13		2 PLACES ±0.25 ±.015	APPROVED BY RAS DATE 9/20/90			
APPR: SMITH 2008/11/14		1 PLACE ±0.38 ±.015				
		ANGULAR ± 3°				
			MATERIAL NO. SDA-5569-03A**			SHEET NO. 1 OF 1
			DOCUMENT NO. SDA-5569-03A**			
			SIZE SEE CHART			
			THIS DRAWING CONTAINS INFORMATION THAT IS PROPRIETARY TO MOLEX INCORPORATED AND SHOULD NOT BE USED WITHOUT WRITTEN PERMISSION			