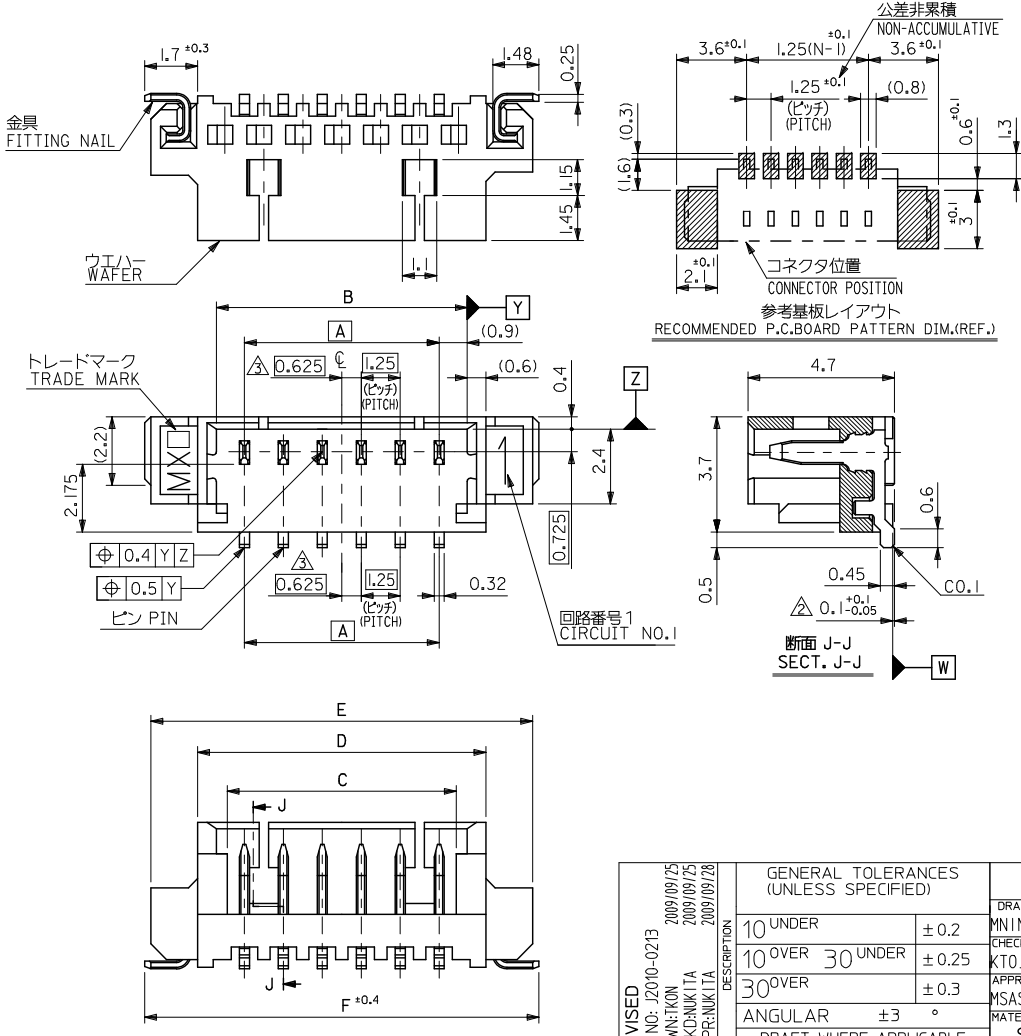
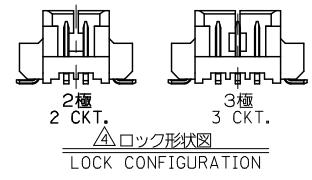


10 9 8 7 6 5 4 3 2 1



注記 NOTES

- 嵌合相手 : 51021 シリーズ MATE WITH : 51021 SERIES
  - 水平面上において、ウェハー底面 W とソルダーテール及びフィッティングネイル底面とのズレ量を示す。  
MISALIGNMENT OF SOLDER TAIL & FITTING NAIL FROM W
  - 偶数極にのみ適用。APPLY EVEN CIRCUIT PRODUCTS.
  - ロック窓は、2、3極は1ヶ所、4極以上は2ヶ所とする。  
LOCKING WINDOW : ONE PLACE FOR 2&3 CKTS.  
TWO PLACES FOR MORE THAN 4 CKTS.
  - 材質 MATERIAL PA, UL94V-0 COLOR:NATURAL
- ウェハー : WAFER
- ピン : リン青銅  
PIN : PHOS-BRO
- 金具 FITTING NAIL : リン青銅  
: PHOS-BRO
- ウェハー : WAFER  
: 錫メッキ 1.0 マイクロメートル以上  
: MATTE TIN 1.0 MICROMETER MINIMUM  
: ニッケル下地 1.0 マイクロメートル以上  
: NICKEL UNDER PLATING 1.0 MICROMETER MINIMUM
6. 本製品は 53398-\*\*\*10 の鉛フリー品である。  
THIS PRODUCT IS LEAD FREE OF 53398-\*\*\*10.




REVISED EC NO: J2010-0213 DRAWN BY: CHYDANKI TA APPROVED BY: APPRANKI TA	2009/09/25	2009/09/25	2009/09/28	DESCRIPTION	GENERAL TOLERANCES (UNLESS SPECIFIED)		DIMENSION STYLE MM ONLY		SCALE	53398-***19	MODEL NO.
	10 UNDER	±0.2	MINI NOMIYA		DATE	DESIGN UNITS	THIRD ANGLE PROJECTION				
	10 OVER 30 UNDER	±0.25	CHECKED BY: KTOJO		DATE	METRIC	TITLE				
	30 OVER	±0.3	APPROVED BY: MSASAO		DATE	1.25 W/B CONN. ASS'Y FOR SMT(ST.) -LEAD FREE-					
	ANGULAR ±3°	DRAFT WHERE APPLICABLE MUST REMAIN WITHIN DIMENSIONS		MATERIAL NO.	SEE SHEET 2	MOLEX INCORPORATED	DOCUMENT NO.	SD-53398-032	SHEET NO.	1 OF 2	
					SIZE	THIS DRAWING CONTAINS INFORMATION THAT IS PROPRIETARY TO MOLEX INCORPORATED AND SHOULD NOT BE USED WITHOUT WRITTEN PERMISSION					

10 9 8 7 6 5 4 3 2 1

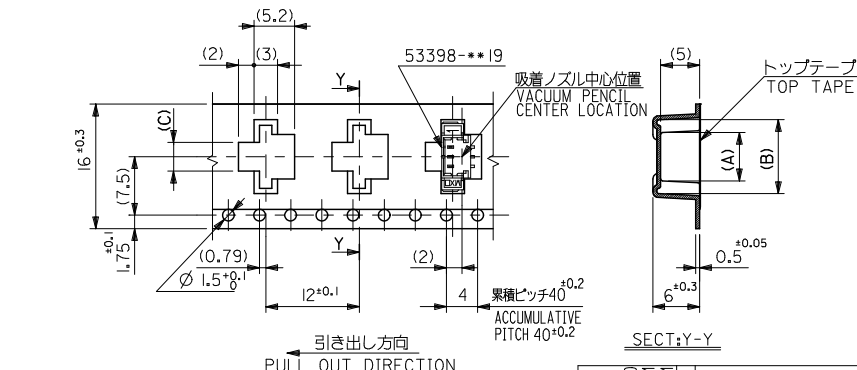
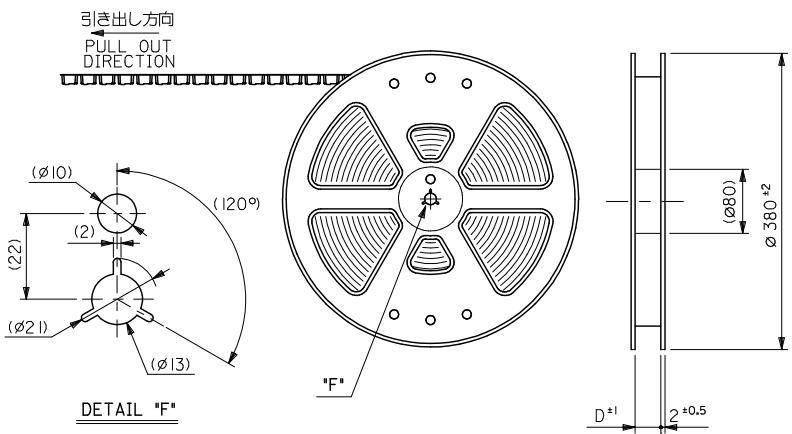
23.9	23.5	20.5	18.6	19.3	17.5	53398-1571	15
22.65	22.25	19.25	17.35	18.05	16.25	53398-1471	14
21.4	21	18	16.1	16.8	15	53398-1371	13
20.15	19.75	16.75	14.85	15.55	13.75	53398-1271	12
18.9	18.5	15.5	13.6	14.3	12.5	53398-1171	11
17.65	17.25	14.25	12.35	13.05	11.25	53398-1071	10
16.4	16	13	11.1	11.8	10	53398-0971	9
15.15	14.75	11.75	9.85	10.55	8.75	53398-0871	8
13.9	13.5	10.5	8.6	9.3	7.5	53398-0771	7
12.65	12.25	9.25	7.35	8.05	6.25	53398-0671	6
11.4	11	8	6.1	6.8	5	53398-0571	5
10.15	9.75	6.75	4.85	5.55	3.75	53398-0471	4
8.9	8.5	5.5	3.6	4.3	2.5	53398-0371	3
7.65	7.25	4.25	2.35	3.05	1.25	53398-0271	2
F	E	D	C	B	A	EMBOSSED TAPE PKG. (HIGH BARRIER PKG.) ORDER No.	REV. NO. OF CKTS.

CONNECTOR SERIES NO. 53398-\*\*19

REVISED EC NO: J2010-0213 DRAWN BY: IRWIN KON 2009/09/25 CHECKED BY: CHYKUNIKITA 2009/09/25 APPROVED BY: APPR. NIKITA 2009/09/28	GENERAL TOLERANCES (UNLESS SPECIFIED)		DIMENSION STYLE MM ONLY		SCALE ---	DESIGN UNITS METRIC	THIRD ANGLE PROJECTION	
	10 UNDER	±0.2	DRAWN BY MININOMIYA	DATE 04/02/06	TITLE 1.25 W/B CONN. ASS'Y FOR SMT(ST.) -LEAD FREE-			
	10 OVER 30 UNDER	±0.25	CHECKED BY KT0JO	DATE 04/02/06	 MOLEX INCORPORATED DOCUMENT NO. SD-53398-032 SHEET NO. 2 OF 2			
	30 OVER	±0.3	APPROVED BY MSASAO	DATE 04/02/06				
ANGULAR ±3 °		MATERIAL NO. SEE TABLE		SIZE A3				
DRAFT WHERE APPLICABLE MUST REMAIN WITHIN DIMENSIONS		THIS DRAWING CONTAINS INFORMATION THAT IS PROPRIETARY TO MOLEX INCORPORATED AND SHOULD NOT BE USED WITHOUT WRITTEN PERMISSION						

ib\_frame\_A3\_J\_ME\_S  
Rev. E 2006/04/15

9 8 7 6 5 4 3 2 EN-02JA(021)

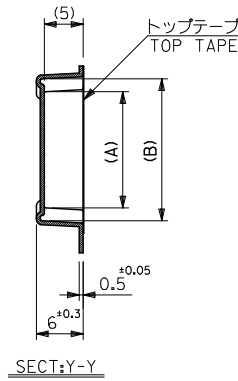
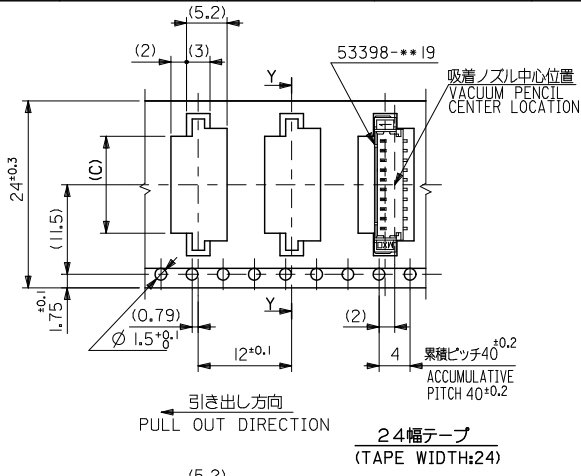


- NOTES**
- 梱包数量：1000個/リール  
NUMBER OF CONNECTOR: 1000PCS/REEL
  - リードテープ長さ  
LEAD TAPE LENGTH  
トップテープ未接着部  
TOP TAPE NON-BONDED PART  
25 ± 10  
空エンボス 20 ~ 25PCS.  
NUMBER OF EMPTY PART  
部品挿入部  
COMPONENT SUPPLIER  
480 ± 80  
未端部 (空部)  
TAIL PART (EMPTY)  
360 ± 35  
引き出し方向  
PULL OUT DIRECTION  
剥離方向  
PEEL OFF DIRECTION  
10°
  - トップテープの剥離強度：0.6 ± 0.35N(60 ± 35gf) (剥離方向は下図参照)  
PEELING OFF FORCE OF TOP TAPE: 0.6 ± 0.35N(60 ± 35gf)  
(PEELING DIRECTION IS SHOWN IN FOLLOWING FIG.)  
<剥離速度：300mm/min (参考)>  
PEELING SPEED: 300mm/min. (REFERENCE)
  - 53398-\*\*\*19の詳細寸法については図面SD-53398-032を参照下さい。  
RE DETAILED DIMENSIONS, SEE SD-53398-032.
  - 材料 (MATERIAL)  
キャリアテープ (CARRIER TAPE): ポリプロピレン (POLYPROPYLENE)  
トップテープ (TOP TAPE): PET, PE, PEF  
リール (REEL): ポリスチレン (PS) <リサイクル材含む>  
POLYSTYRENE (PS) <RECYCLE MATERIAL CONTAINED>
  - 本製品は53398-\*\*\*90の鉛フリー品である。  
THIS PRODUCT IS LEAD FREE OF 53398-\*\*\*90.
  - 本製品は乾燥剤入り、ハイバリア梱包仕様である。  
THIS PRODUCT IS HIGH BARRIER PACKAGE WITH DESICCANT.

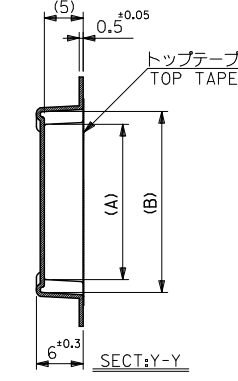
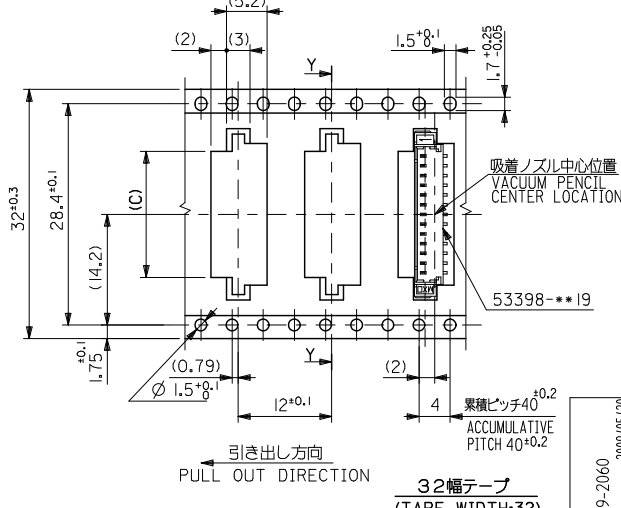
16	21.4	17.4	3.7	9.5	5.8	53398-037I	3
キャリアテープ幅 CARRIER TAPE WIDTH	E	D	(C)	(B)	(A)	53398-027I	2
						MATERIAL NO.	種数 CKT.

REVISED EC NO: J2009-2060 DRAWN BY CHYKHMATSUMOTO 2009/05/21 APPROVED BY APPRIKUNIKITA 2009/05/21	DESCRIPTION	GENERAL TOLERANCES (UNLESS SPECIFIED)		DIMENSION STYLE MM ONLY		SCALE	DESIGN UNITS	THIRD ANGLE PROJECTION
		10 UNDER	±0.2	DRAWN BY NINOMIYA	DATE '04/02/06	TITLE 1.25 W/B CONN WAFER ASSY FOR SMT. EMBSTP. PKG. -LEAD FREE-	MOLEX INCORPORATED	DOCUMENT NO. SD-53398-033
		10 OVER 30 UNDER	±0.25	CHECKED BY K. TOJO	DATE '04/02/06			
		30 OVER	±0.3	APPROVED BY M. SASAO	DATE '04/02/06			
ANGULAR	±3 °	MATERIAL NO. SEE TABLE & SHEET 2.3	SHEET NO. 1 OF 3					
DRAFT WHERE APPLICABLE MUST REMAIN WITHIN DIMENSIONS		SIZE A3		THIS DRAWING CONTAINS INFORMATION THAT IS PROPRIETARY TO MOLEX INCORPORATED AND SHOULD NOT BE USED WITHOUT WRITTEN PERMISSION				

10 9 8 7 6 5 4 3 2 1



24幅テープ  
(TAPE WIDTH:24)

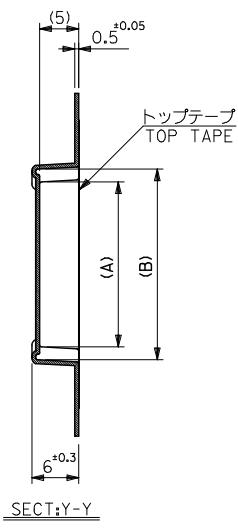
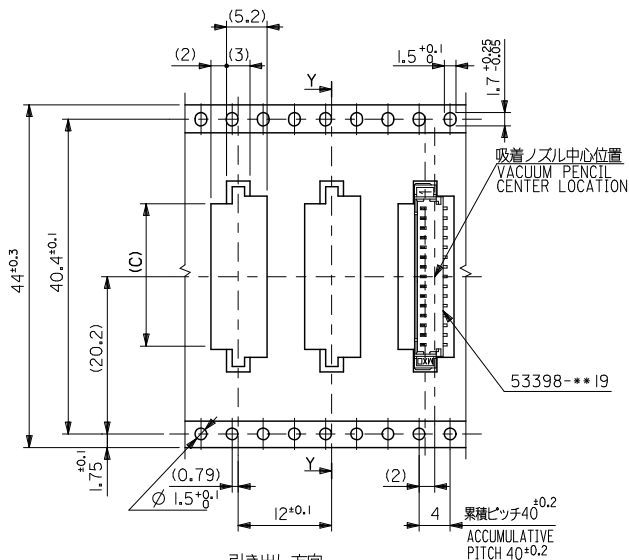


32幅テープ  
(TAPE WIDTH:32)

32	37.4	33.4	16.2	22	18.3	53398-1371	13
			14.95	20.75	17.05	-1271	12
			13.7	19.5	15.8	-1171	11
			12.45	18.25	14.55	-1071	10
			11.2	17	13.3	-0971	9
			9.95	15.75	12.05	-0871	8
			8.7	14.5	10.8	-0771	7
			7.45	13.25	9.55	-0671	6
			6.2	12	8.3	-0571	5
			4.95	10.75	7.05	53398-0471	4
キャリアテープ幅 CARRIER TAPE WIDTH	E	D	(C)	(B)	(A)	MATERIAL NO.	種数 CKT.

REVISED ELC NO: J2009-2060 DRAWN BY: CHYKOHMATSUMOTO 2009/05/21 APPR: NIKITA 2009/05/21 B REV	GENERAL TOLERANCES (UNLESS SPECIFIED) 10 UNDER ±0.2 10 OVER 30 UNDER ±0.25 30 OVER ±0.3 ANGULAR ±3° DRAFT WHERE APPLICABLE MUST REMAIN WITHIN DIMENSIONS		DIMENSION STYLE MM ONLY DRAWN BY: NINOMIYA DATE: '04/02/06 CHECKED BY: K.TOJO DATE: '04/02/06 APPROVED BY: M.SASAO DATE: '04/02/06		SCALE: --- DESIGN UNITS: METRIC THIRD ANGLE PROJECTION		TITLE: 1.25 W/B CONN WAFER ASSY FOR SMT. EMBSTP. PKG. -LEAD FREE- MOLEX INCORPORATED DOCUMENT NO. SD-53398-033 SHEET NO. 2 OF 3	
	SEE TABLE & SHEET 1,3		THIS DRAWING CONTAINS INFORMATION THAT IS PROPRIETARY TO MOLEX INCORPORATED AND SHOULD NOT BE USED WITHOUT WRITTEN PERMISSION					

10 9 8 7 6 5 4 3 2 1



44幅テープ (TAPE WIDTH:44)

44	49.4	45.4	18.7	24.5	20.8	53398-1571	15
キャリアテープ幅 CARRIER TAPE WIDTH	E	D	(C)	(B)	(A)	MATERIAL NO.	種数 CKT.

REVISED EC NO: J2009-2060 DRAWN BY: NINOMIYA CHECKED BY: K. TOJO APPROVED BY: M. SASAO DATE: 2009/05/20 DATE: 2009/05/21 DATE: 2009/05/21	GENERAL TOLERANCES (UNLESS SPECIFIED)	
	10 UNDER	±0.2
	10 OVER 30 UNDER	±0.25
	30 OVER	±0.3
ANGULAR		±3 °
DRAFT WHERE APPLICABLE		MUST REMAIN WITHIN DIMENSIONS

DIMENSION STYLE MM ONLY		SCALE ---	DESIGN UNITS METRIC	THIRD ANGLE PROJECTION
DRAWN BY NINOMIYA	DATE '04/02/06	TITLE 1.25 W/B CONN WAFER ASSY FOR SMT. EMBSTP. PKG. -LEAD FREE-		
CHECKED BY K. TOJO	DATE '04/02/06	MOLEX INCORPORATED		
APPROVED BY M. SASAO	DATE '04/02/06	DOCUMENT NO. SD-53398-033	SHEET NO. 3 OF 3	
MATERIAL NO. SEE TABLE & SHEET 12				
SIZE A3 THIS DRAWING CONTAINS INFORMATION THAT IS PROPRIETARY TO MOLEX INCORPORATED AND SHOULD NOT BE USED WITHOUT WRITTEN PERMISSION				