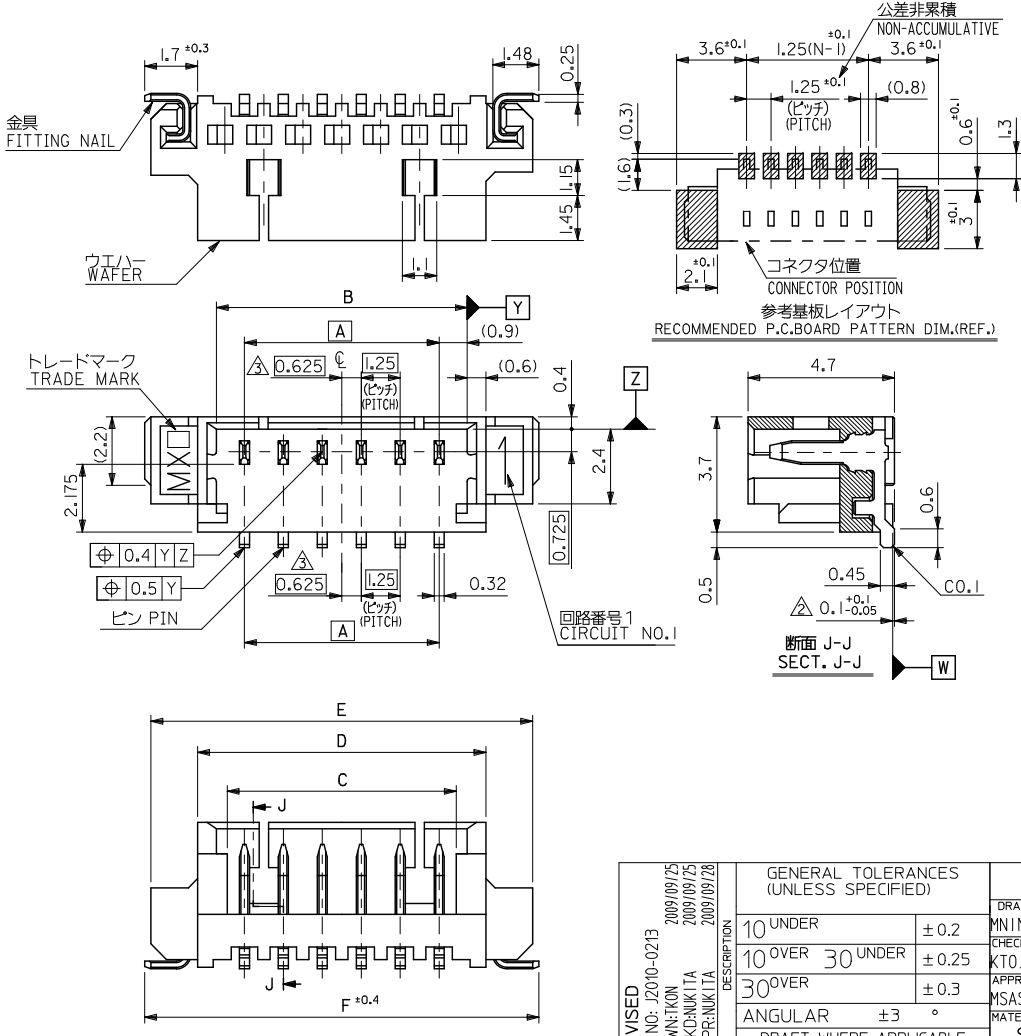
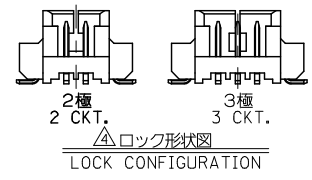


10 9 8 7 6 5 4 3 2 1



注記 NOTES

- 嵌合相手: 51021 シリーズ MATE WITH : 51021 SERIES
 - 水平面上においての、ウエハー底面 W とソルダーテール及びフィッティングネイル底面とのズレ量を示す。
MISALIGNMENT OF SOLDER TAIL & FITTING NAIL FROM W
 - 偶数極にのみ適用。APPLY EVEN CIRCUIT PRODUCTS.
 - ロック窓は、2, 3極は1ヶ所、4極以上は2ヶ所とする。
LOCKING WINDOW : ONE PLACE FOR 2&3 CKTS.
TWO PLACES FOR MORE THAN 4 CKTS.
 - 材質 MATERIAL PA, UL94V-0 COLOR:NATURAL
- ウエハー : WAFER
- ピン : リン青銅
PIN : PHOS-BRO
- 金具 : リン青銅
FITTING NAIL : PHOS-BRO
- 錫メッキ 1.0 マイクロメートル以上
MATTE TIN 1.0 MICROMETER MINIMUM
- ニッケル下地 1.0 マイクロメートル以上
NICKEL UNDER PLATING 1.0 MICROMETER MINIMUM
6. 本製品は 53398-***10 の鉛フリー品である。
THIS PRODUCT IS LEAD FREE OF 53398-***10.



REVISED EC NO: J2010-0213 DRAWN BY CHYDANKI TA APPROVED BY APPRNKI TA	DESCRIPTION 2009/09/25 2009/09/25 2009/09/28	GENERAL TOLERANCES (UNLESS SPECIFIED)		DIMENSION STYLE MM ONLY		SCALE	53398-***19	MODEL NO.
		10 UNDER	±0.2	DRAWN BY	DATE	TITLE	DESIGN UNITS	THIRD ANGLE PROJECTION
		10 OVER 30 UNDER	±0.25	MINOMIYA	04/02/06	1.25 W/B CONN. ASS'Y FOR SMT(ST.) -LEAD FREE-	METRIC	
		30 OVER	±0.3	CHECKED BY	DATE			
	ANGULAR ±3°	APPROVED BY	DATE	MOLEX INCORPORATED				
	DRAFT WHERE APPLICABLE MUST REMAIN WITHIN DIMENSIONS	MSASAO	04/02/06	MATERIAL NO.	SEE SHEET 2	DOCUMENT NO.	SD-53398-032	SHEET NO. 1 OF 2
		SIZE	THIS DRAWING CONTAINS INFORMATION THAT IS PROPRIETARY TO MOLEX INCORPORATED AND SHOULD NOT BE USED WITHOUT WRITTEN PERMISSION					

10 9 8 7 6 5 4 3 2 1

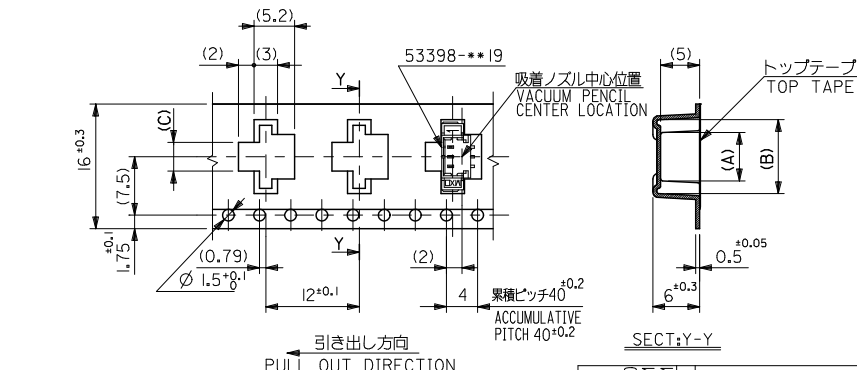
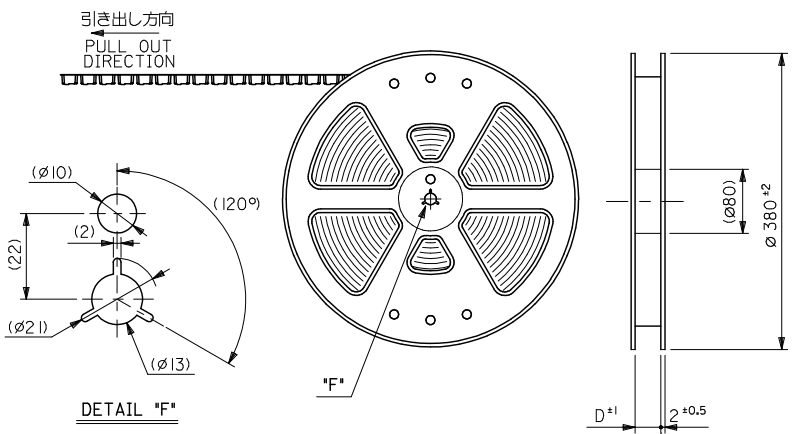
23.9	23.5	20.5	18.6	19.3	17.5	53398-1571	15
22.65	22.25	19.25	17.35	18.05	16.25	53398-1471	14
21.4	21	18	16.1	16.8	15	53398-1371	13
20.15	19.75	16.75	14.85	15.55	13.75	53398-1271	12
18.9	18.5	15.5	13.6	14.3	12.5	53398-1171	11
17.65	17.25	14.25	12.35	13.05	11.25	53398-1071	10
16.4	16	13	11.1	11.8	10	53398-0971	9
15.15	14.75	11.75	9.85	10.55	8.75	53398-0871	8
13.9	13.5	10.5	8.6	9.3	7.5	53398-0771	7
12.65	12.25	9.25	7.35	8.05	6.25	53398-0671	6
11.4	11	8	6.1	6.8	5	53398-0571	5
10.15	9.75	6.75	4.85	5.55	3.75	53398-0471	4
8.9	8.5	5.5	3.6	4.3	2.5	53398-0371	3
7.65	7.25	4.25	2.35	3.05	1.25	53398-0271	2
F	E	D	C	B	A	EMBOSSED TAPE PKG. (HIGH BARRIER PKG.) ORDER No.	REV. NO. OF CKTS.

CONNECTOR SERIES NO. 53398-**19

REVISED EEC NO: J2010-0213 DRAWN BY CHYKUNIKITA APPR. BY CHYKUNIKITA 2009/09/25 2009/09/25 2009/09/28	GENERAL TOLERANCES (UNLESS SPECIFIED)		DIMENSION STYLE MM ONLY		SCALE ---	DESIGN UNITS METRIC	THIRD ANGLE PROJECTION
	10 UNDER	±0.2	DRAWN BY MININOMIYA	DATE 04/02/06	TITLE 1.25 W/B CONN. ASS'Y FOR SMT(ST.) -LEAD FREE-		
	10 OVER 30 UNDER	±0.25	CHECKED BY KT0JO	DATE 04/02/06	MOLEX INCORPORATED		
	30 OVER	±0.3	APPROVED BY MSASAO	DATE 04/02/06	MATERIAL NO. SEE TABLE	DOCUMENT NO. SD-53398-032	SHEET NO. 2 OF 2
	ANGULAR ±3 °		DRAFT WHERE APPLICABLE MUST REMAIN WITHIN DIMENSIONS				

ib_frame_A3_J_ME_S
Rev. E 2006/04/15

9 8 7 6 5 4 3 2 EN-02JA(021)

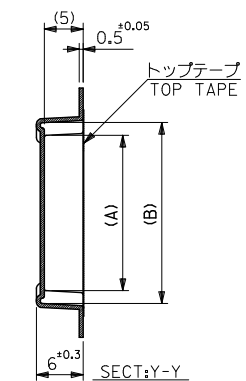
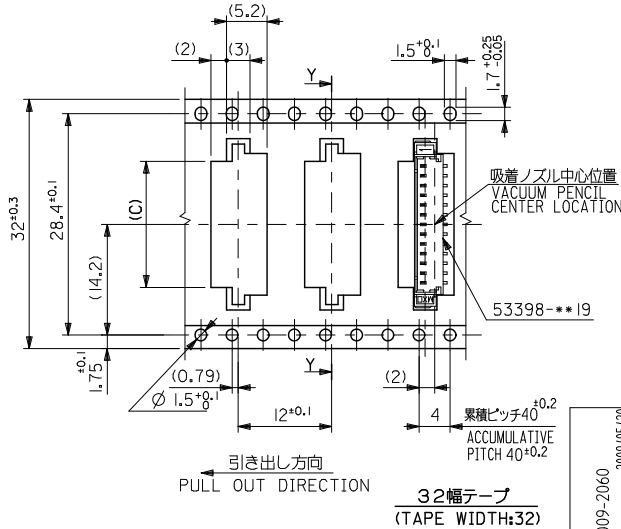
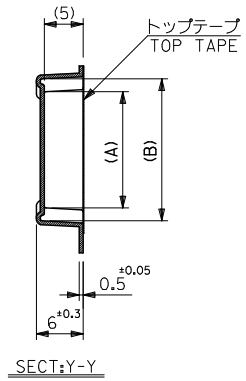
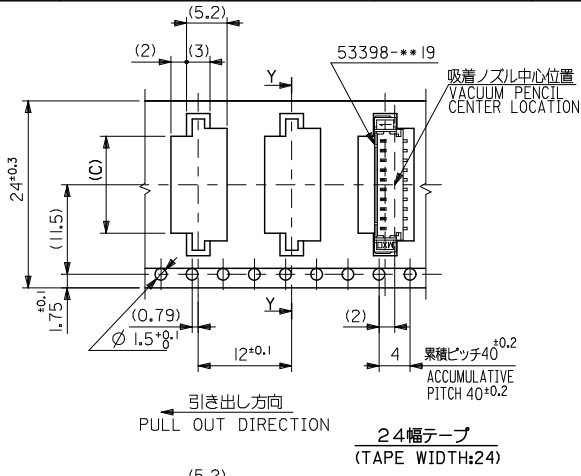


- NOTES**
- 梱包数量：1000個/リール
NUMBER OF CONNECTOR: 1000PCS/REEL
 - リードテープ長さ
LEAD TAPE LENGTH
 トップテープ未接着部
TOP TAPE NON-BONDED PART
25 ± 10
 空エンボス 20 ~ 25PCS.
NUMBER OF EMPTY PART
 部品挿入部
COMPONENT SUPPLIER
 未端部 (空部)
TAIL PART (EMPTY)
360 ± 35
 480 ± 80
 引き出し方向
PULL OUT DIRECTION
 剥離方向
PEEL OFF DIRECTION
 10°
 - トップテープの剥離強度：0.6 ± 0.35N(60 ± 35gf) (剥離方向は下図参照)
PEELING OFF FORCE OF TOP TAPE: 0.6 ± 0.35N(60 ± 35gf)
(PEELING DIRECTION IS SHOWN IN FOLLOWING FIG.)
 <剥離速度：300mm/min (参考)>
PEELING SPEED: 300mm/min. (REFERENCE)
 - 53398-***19の詳細寸法については図面SD-53398-032を参照下さい。
RE DETAILED DIMENSIONS, SEE SD-53398-032.
 - 材料 (MATERIAL)
キャリアテープ (CARRIER TAPE): ポリプロピレン (POLYPROPYLENE)
トップテープ (TOP TAPE): PET, PE, PEF
リール (REEL): ポリスチレン (PS) <リサイクル材含む>
POLYSTYRENE (PS) <RECYCLE MATERIAL CONTAINED>
 - 本製品は53398-***90の鉛フリー品である。
THIS PRODUCT IS LEAD FREE OF 53398-***90.
 - 本製品は乾燥剤入り、ハイバリア梱包仕様である。
THIS PRODUCT IS HIGH BARRIER PACKAGE WITH DESICCANT.

16	21.4	17.4	3.7	9.5	5.8	53398-037I	3
キャリアテープ幅 CARRIER TAPE WIDTH	E	D	(C)	(B)	(A)	53398-027I	2
						MATERIAL NO.	種数 CKT.

REVISED EC NO: J2009-2060 DRAWN BY CHYKHMATSUMOTO 2009/05/21 APPROVED BY APPRIKUNIKITA 2009/05/21	DESCRIPTION	GENERAL TOLERANCES (UNLESS SPECIFIED)		DIMENSION STYLE MM ONLY		SCALE	DESIGN UNITS	THIRD ANGLE PROJECTION
		10 UNDER	±0.2	DRAWN BY NINOMIYA	DATE '04/02/06	---	METRIC	◎
		10 OVER 30 UNDER	±0.25	CHECKED BY K. TOJO	DATE '04/02/06			
		30 OVER	±0.3	APPROVED BY M. SASAO	DATE '04/02/06			
		ANGULAR	±3 °	MATERIAL NO. SEE TABLE & SHEET 2.3	DOCUMENT NO. SD-53398-033	TITLE 1.25 W/B CONN WAFER ASSY FOR SMT. EMBSTP. PKG. -LEAD FREE-		SHEET NO. 1 OF 3
		DRAFT WHERE APPLICABLE MUST REMAIN WITHIN DIMENSIONS		SIZE A3		THIS DRAWING CONTAINS INFORMATION THAT IS PROPRIETARY TO MOLEX INCORPORATED AND SHOULD NOT BE USED WITHOUT WRITTEN PERMISSION		

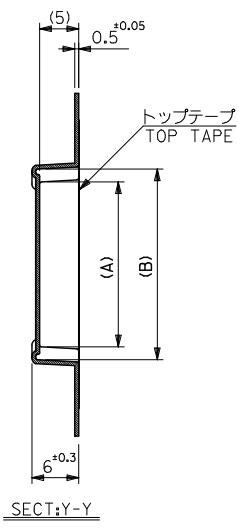
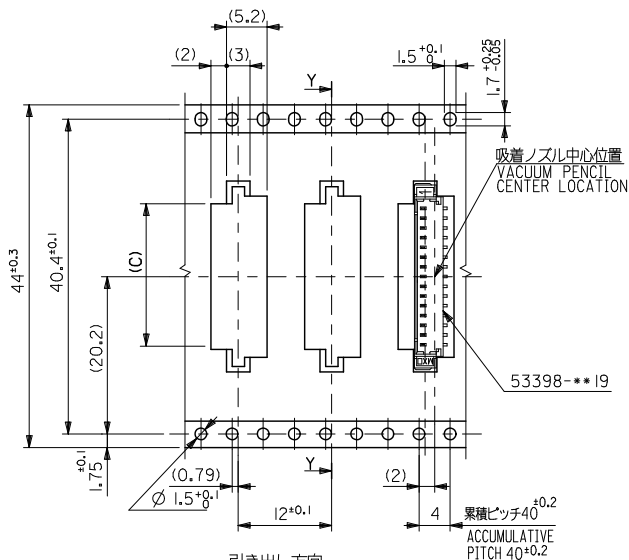
10 9 8 7 6 5 4 3 2 1



32	37.4	33.4	16.2	22	18.3	53398-1371	13		
24	29.4	25.4	14.95	20.75	17.05	-1271	12		
			13.7	19.5	15.8	-1171	11		
			12.45	18.25	14.55	-1071	10		
			11.2	17	13.3	-0971	9		
			9.95	15.75	12.05	-0871	8		
			8.7	14.5	10.8	-0771	7		
			7.45	13.25	9.55	-0671	6		
6.2	12	8.3	-0571	5					
4.95	10.75	7.05	53398-0471	4					
キャリアテープ幅 CARRIER TAPE WIDTH			E	D	(C)	(B)	(A)	MATERIAL NO.	種数 CKT.

REVISED REV DESCRIPTION	GENERAL TOLERANCES (UNLESS SPECIFIED)		DIMENSION STYLE MM ONLY		SCALE ---	DESIGN UNITS METRIC	THIRD ANGLE PROJECTION	
	10 UNDER	±0.2	DRAWN BY NINOMIYA	DATE '04/02/06	TITLE 1.25 W/B CONN WAFER ASSY FOR SMT. EMBSTP. PKG. -LEAD FREE-			
	10 OVER 30 UNDER	±0.25	CHECKED BY K. TOJO	DATE '04/02/06	MOLEX INCORPORATED DOCUMENT NO. SD-53398-033 SHEET NO. 2 OF 3			
	30 OVER	±0.3	APPROVED BY M. SASAO	DATE '04/02/06				
ANGULAR ±3 °		DRAFT WHERE APPLICABLE MUST REMAIN WITHIN DIMENSIONS		MATERIAL NO. SEE TABLE & SHEET 1,3		SIZE A3 THIS DRAWING CONTAINS INFORMATION THAT IS PROPRIETARY TO MOLEX INCORPORATED AND SHOULD NOT BE USED WITHOUT WRITTEN PERMISSION		

10 9 8 7 6 5 4 3 2 1



44幅テープ (TAPE WIDTH:44)

44	49.4	45.4	18.7	24.5	20.8	53398-1571	15
キャリアテープ幅 CARRIER TAPE WIDTH	E	D	(C)	(B)	(A)	MATERIAL NO.	種数 CKT.

REVISED ELC NO: J2009-2060 DRAWN BY: NINOMIYA CHECKED BY: K. TOJO APPROVED BY: M. SASAO DATE: 2009/05/20 DATE: 2009/05/21 DATE: 2009/05/21	GENERAL TOLERANCES (UNLESS SPECIFIED)		DIMENSION STYLE MM ONLY		SCALE ---	DESIGN UNITS METRIC	THIRD ANGLE PROJECTION
	10 UNDER	±0.2	DRAWN BY NINOMIYA		DATE '04/02/06		
	10 OVER 30 UNDER	±0.25	CHECKED BY K. TOJO		DATE '04/02/06		
	30 OVER	±0.3	APPROVED BY M. SASAO		DATE '04/02/06		
ANGULAR ±3 °		DRAFT WHERE APPLICABLE MUST REMAIN WITHIN DIMENSIONS		MATERIAL NO. SEE TABLE & SHEET 12		DOCUMENT NO. SD-53398-033	
SIZE A3				THIS DRAWING CONTAINS INFORMATION THAT IS PROPRIETARY TO MOLEX INCORPORATED AND SHOULD NOT BE USED WITHOUT WRITTEN PERMISSION			

TITLE
1.25 W/B CONN WAFER ASSY FOR SMT. EMBSTP. PKG. -LEAD FREE-

MOLEX INCORPORATED

SHEET NO.
3 OF 3