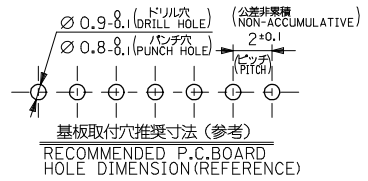
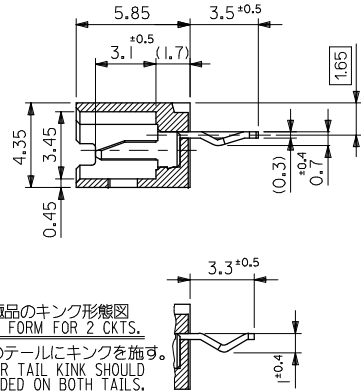
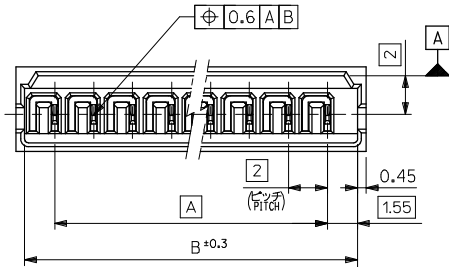


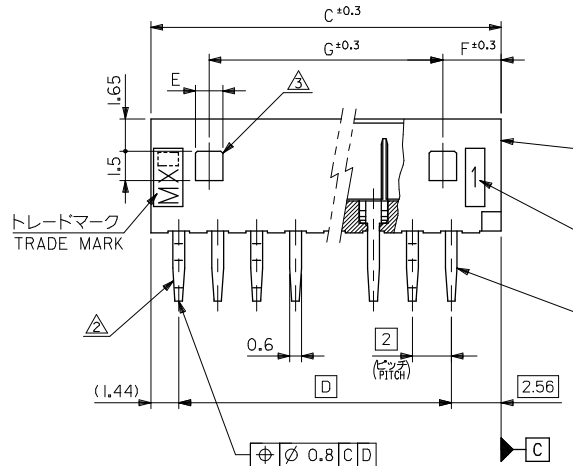
10 9 8 7 6 5 4 3 2 1



注記 NOTES

- 1. 嵌合相手 : 51004-***00
MATES WITH : 51004-***00
- △ 3極以上のキック加工については、トレードマーク側からキック、ストレートの順に、1極おきに2箇所以上に施すこと。
KINK TO BE ADDED ON THE ODD NUMBER SOLDER TAILS. (FROM THE TRADE MARK SIDE.)
- △ ロック用の穴は、2極品及び3極品に1ヶ、4極品以上は2ヶとする。
LOCKING HOLE : 1 PLACE FOR 2, 3 CKTS, 2 PLACES FOR 4 CKTS. AND MORE THAN 4 CKTS.

2極品のキック形態図
KINK FORM FOR 2 CKTS.
両方のテールにキックを施す。
SOLDER TAIL KINK SHOULD BE ADDED ON BOTH TAILS.



26	3	1.4	28	32	31.1	28	53014-1510	15
24	3	1.4	26	30	29.1	26	-1410	14
22	3	1.4	24	28	27.1	24	-1310	13
20	3	1.4	22	26	25.1	22	-1210	12
18	3	1.4	20	24	23.1	20	-1110	11
16	3	1.4	18	22	21.1	18	-1010	10
14	3	1.4	16	20	19.1	16	-0910	9
12	3	1.4	14	18	17.1	14	-0810	8
10	3	1.4	12	16	15.1	12	-0710	7
8	3	1.4	10	14	13.1	10	-0610	6
6	3	1.4	8	12	11.1	8	-0510	5
4	3	1.4	6	10	9.1	6	-0410	4
—	4	3.4	4	8	7.1	4	-0310	3
—	3	1.4	2	6	5.1	2	53014-0210	2
G	F	E	D	C	B	A	PLASTIC BAG	極数 NO. OF CKTS.

REVISED EC NO: J2009-0377 DRAWN: MABELI CHKD: THARYAMA APPR: NIKITA H	2008/08/07	2008/08/18	2008/08/19	GENERAL TOLERANCES (UNLESS SPECIFIED)	DIMENSION STYLE		SCALE	DESIGN UNITS	THIRD ANGLE PROJECTION		
	DESCRIPTION	10 UNDER	± 0.2		MM ONLY	5:1				53014-***10	MODEL NO.
		10 OVER 30 UNDER	± 0.25		DRAWN BY	DATE				TITLE	
		30 OVER	± 0.3		M. HENMI	'92/03/06				2.0 LOW PROFILE WAFER ASSY	
		ANGULAR	± 3 °		CHECKED BY	DATE				MOLEX MOLEX INCORPORATED	
	DRAFT WHERE APPLICABLE MUST REMAIN WITHIN DIMENSIONS			M. FUKUSHIMA	'92/05/28	DOCUMENT NO.		SHEET NO.			
				M. ENOMOTO	'92/05/28	SEE TABLE		SD-53014-001	1 OF 1		
				MATERIAL NO.		THIS DRAWING CONTAINS INFORMATION THAT IS PROPRIETARY TO MOLEX INCORPORATED AND SHOULD NOT BE USED WITHOUT WRITTEN PERMISSION					