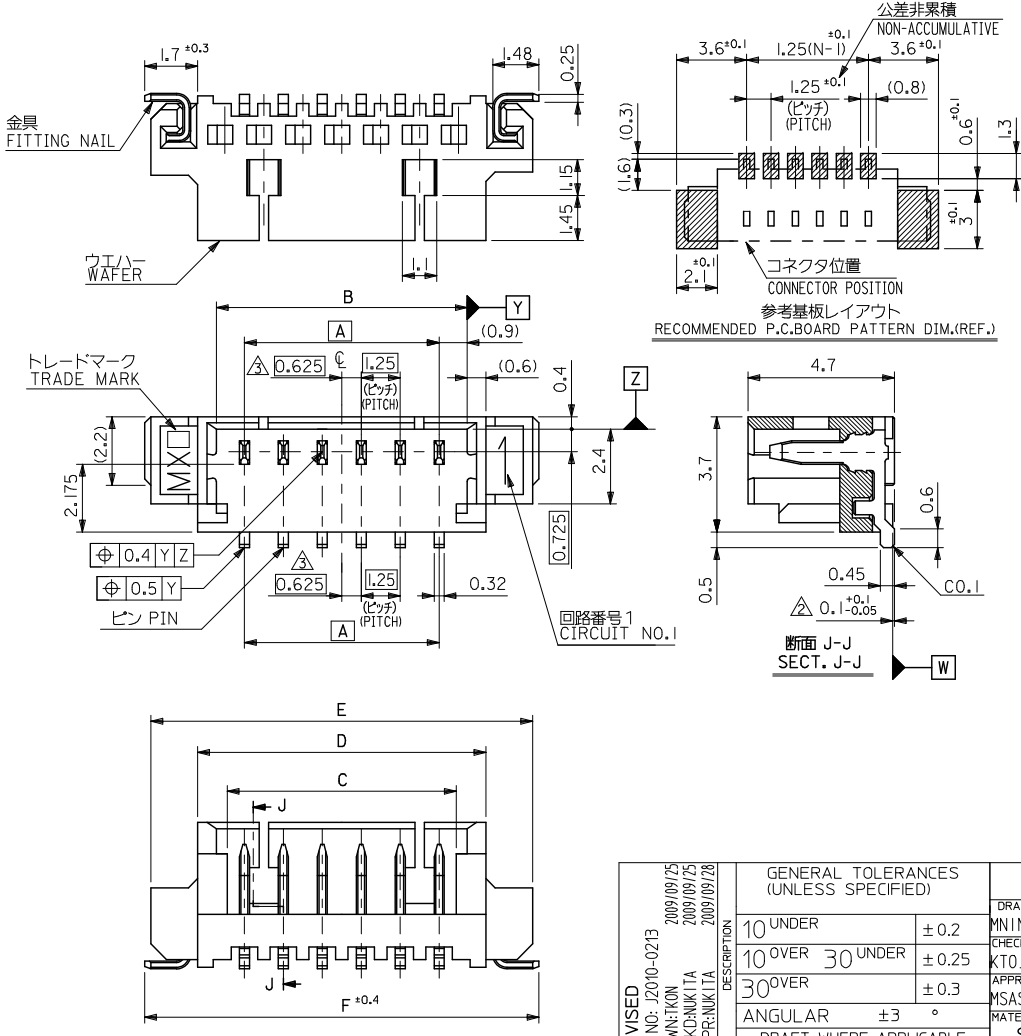
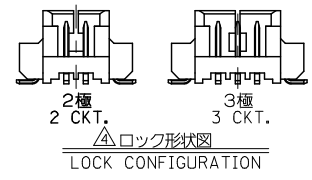


10 9 8 7 6 5 4 3 2 1



注記 NOTES

- 嵌合相手 : 51021 シリーズ MATE WITH : 51021 SERIES
  - 水平面上において、ウエハー底面 **W** とソルダーテール及びフィッティングネイル底面とのズレ量を示す。  
MISALIGNMENT OF SOLDER TAIL & FITTING NAIL FROM **W**
  - 偶数極にのみ適用。APPLY EVEN CIRCUIT PRODUCTS.
  - ロック窓は、2、3極は1ヶ所、4極以上は2ヶ所とする。  
LOCKING WINDOW : ONE PLACE FOR 2&3 CKTS.  
TWO PLACES FOR MORE THAN 4 CKTS.
  - 材質 MATERIAL PA, UL94V-0 COLOR:NATURAL
- ウエハー : WAFER
- ピン : リン青銅  
PIN : PHOS-BRO
- 金具 FITTING NAIL : リン青銅  
FITTING NAIL : PHOS-BRO
6. 本製品は 53398-\*\*\*10 の鉛フリー品である。  
THIS PRODUCT IS LEAD FREE OF 53398-\*\*\*10.



REVISED EC NO: J2010-0213 DRAWN BY: CHYDANKI TA APPROVED BY: APPRANKI TA	2009/09/25	2009/09/25	2009/09/28	DESCRIPTION	GENERAL TOLERANCES (UNLESS SPECIFIED)		DIMENSION STYLE		SCALE	53398-***19	MODEL NO.
	10 UNDER	±0.2	MM ONLY		---	DESIGN UNITS	THIRD ANGLE PROJECTION				
	10 OVER 30 UNDER	±0.25	DRAWN BY: MINOMIYA		DATE: 04/02/06	METRIC	TITLE				
	30 OVER	±0.3	CHECKED BY: KTOJO		DATE: 04/02/06	1.25 W/B CONN. ASS'Y FOR SMT(ST.) -LEAD FREE-					
ANGULAR	±3 °	APPROVED BY: MSASAO	DATE: 04/02/06	MATERIAL NO.	MOLEX INCORPORATED		DOCUMENT NO.	SHEET NO.			
DRAFT WHERE APPLICABLE MUST REMAIN WITHIN DIMENSIONS					SEE SHEET 2		SD-53398-032		1 OF 2		
SIZE 3					THIS DRAWING CONTAINS INFORMATION THAT IS PROPRIETARY TO MOLEX INCORPORATED AND SHOULD NOT BE USED WITHOUT WRITTEN PERMISSION						

ib\_frame\_A3\_J\_ME\_S Rev. E 2006/04/15

EN-02JA(021)

10 9 8 7 6 5 4 3 2 1

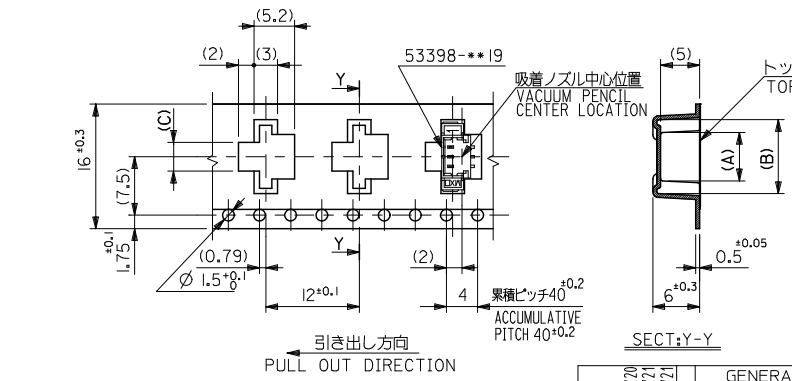
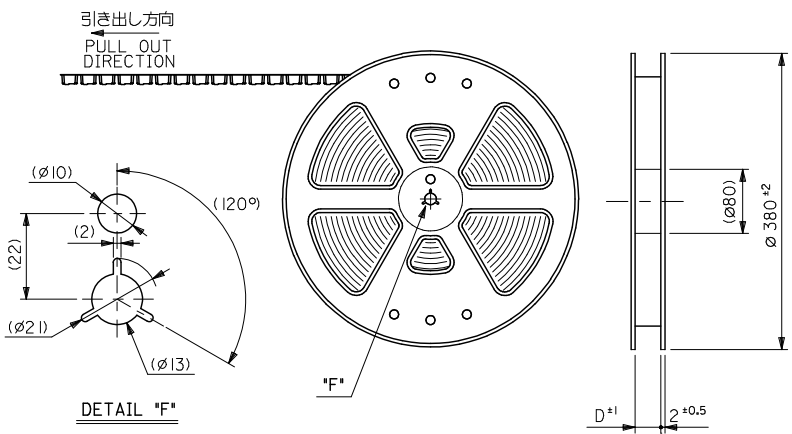
23.9	23.5	20.5	18.6	19.3	17.5	53398-1571	15
22.65	22.25	19.25	17.35	18.05	16.25	53398-1471	14
21.4	21	18	16.1	16.8	15	53398-1371	13
20.15	19.75	16.75	14.85	15.55	13.75	53398-1271	12
18.9	18.5	15.5	13.6	14.3	12.5	53398-1171	11
17.65	17.25	14.25	12.35	13.05	11.25	53398-1071	10
16.4	16	13	11.1	11.8	10	53398-0971	9
15.15	14.75	11.75	9.85	10.55	8.75	53398-0871	8
13.9	13.5	10.5	8.6	9.3	7.5	53398-0771	7
12.65	12.25	9.25	7.35	8.05	6.25	53398-0671	6
11.4	11	8	6.1	6.8	5	53398-0571	5
10.15	9.75	6.75	4.85	5.55	3.75	53398-0471	4
8.9	8.5	5.5	3.6	4.3	2.5	53398-0371	3
7.65	7.25	4.25	2.35	3.05	1.25	53398-0271	2
F	E	D	C	B	A	EMBOSSED TAPE PKG. (HIGH BARRIER PKG.) ORDER No.	REV. NO. OF PKT.S.

CONNECTOR SERIES NO. 53398-\*\*19

REVISED EC NO: J2010-0213 DRAWN BY: IRWIN KOK 2009/09/25 CHECKED BY: CHYKUNIKITA 2009/09/25 APPROVED BY: APPRNIKITA 2009/09/28	GENERAL TOLERANCES (UNLESS SPECIFIED)		DIMENSION STYLE MM ONLY		SCALE ---	DESIGN UNITS METRIC	THIRD ANGLE PROJECTION
	10 UNDER	±0.2	DRAWN BY MININOMIYA	DATE 04/02/06	TITLE 1.25 W/B CONN. ASS'Y FOR SMT(ST.) -LEAD FREE-		
	10 OVER 30 UNDER	±0.25	CHECKED BY KT0JO	DATE 04/02/06	MOLEX INCORPORATED		
	30 OVER	±0.3	APPROVED BY MSASAO	DATE 04/02/06	MATERIAL NO. SEE TABLE	DOCUMENT NO. SD-53398-032	SHEET NO. 2 OF 2
	ANGULAR ±3 °		THIS DRAWING CONTAINS INFORMATION THAT IS PROPRIETARY TO MOLEX INCORPORATED AND SHOULD NOT BE USED WITHOUT WRITTEN PERMISSION				
DRAFT WHERE APPLICABLE MUST REMAIN WITHIN DIMENSIONS							

ib\_frame\_A3\_J\_ME\_S  
Rev. E 2006/04/15

9 8 7 6 5 4 3 2 EN-02JA(021)

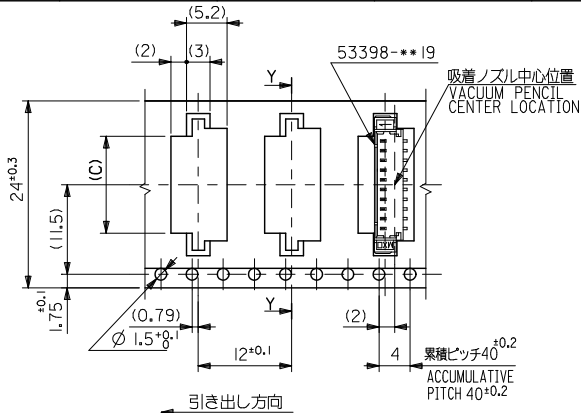


- NOTES**
- 梱包数量：1000個/リール  
NUMBER OF CONNECTOR:1000PCS/REEL
  - リードテープ長さ  
LEAD TAPE LENGTH  
 トップテープ未接着部  
TOP TAPE NON-BONDED PART  
25±10  
 空エンボス 20～25PCS.  
NUMBER OF EMPTY PART  
 部品挿入部  
COMPONENT SUPPLIER  
 未端部 (空部)  
TAIL PART (EMPTY)  
360±35  
 480±80  
 引き出し方向  
PULL OUT DIRECTION  
 剥離方向  
PEEL OFF DIRECTION  
 10°
  - トップテープの剥離強度：0.6±0.35N(60±35gf)(剥離方向は下図参照)  
PEELING OFF FORCE OF TOP TAPE:0.6±0.35N(60±35gf)  
(PEELING DIRECTION IS SHOWN IN FOLLOWING FIG.)  
 <剥離速度：300mm/min(参考)>  
PEELING SPEED:300mm/min.(REFERENCE)
  - 53398-\*\*\*19の詳細寸法については図面SD-53398-032を参照下さい。  
RE DETAILED DIMENSIONS,SEE SD-53398-032.
  - 材料 (MATERIAL)  
キャリアテープ(CARRIER TAPE):ポリプロピレン(POLYPROPYLENE)  
トップテープ (TOP TAPE):PET ,PE ,PEF  
リール (REEL):ポリスチレン (PS) <リサイクル材含む>  
POLYSTYREN(PS) <RECYCLE MATERIAL CONTAINED>
  - 本製品は53398-\*\*\*90の鉛フリー品である。  
THIS PRODUCT IS LEAD FREE OF 53398-\*\*\*90.
  - 本製品は乾燥剤入り、ハイバリア梱包仕様である。  
THIS PRODUCT IS HIGH BARRIER PACKAGE WITH DESICCANT.

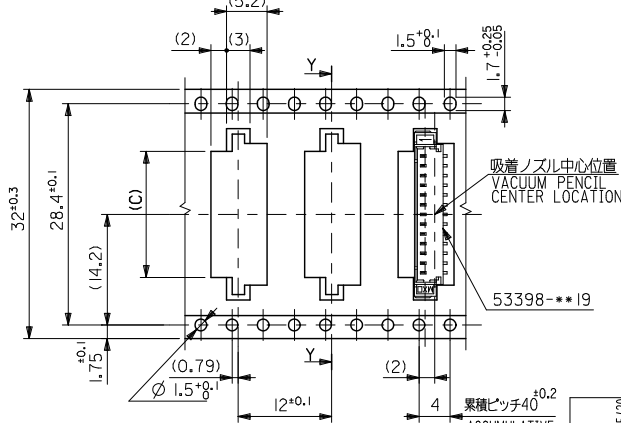
16	21.4	17.4	3.7	9.5	5.8	53398-037I	3
キャリアテープ幅 CARRIER TAPE WIDTH	E	D	(C)	(B)	(A)	53398-027I	2
						MATERIAL NO.	種数 CKT.

REVISED IEC NO: J2009-2060 DRAWN BY CHYKOHMATSUOTO 2009/05/21 APPR. BY APRRNIKITA 2009/05/21 B REV	GENERAL TOLERANCES (UNLESS SPECIFIED)		DIMENSION STYLE MM ONLY		SCALE ---	DESIGN UNITS METRIC	THIRD ANGLE PROJECTION
	10 UNDER	±0.2	DRAWN BY NINOMIYA	DATE '04/02/06	TITLE 1.25 W/B CONN WAFER ASSY FOR SMT. EMBSTP. PKG. -LEAD FREE-		
	10 OVER 30 UNDER	±0.25	CHECKED BY K.TOJO	DATE '04/02/06	MOLEX INCORPORATED		
	30 OVER	±0.3	APPROVED BY M.SASAO	DATE '04/02/06	DOCUMENT NO. SD-53398-033		
	ANGULAR ±3°	MATERIAL NO. SEE TABLE & SHEET 2.3	SHEET NO. 1 OF 3		THIS DRAWING CONTAINS INFORMATION THAT IS PROPRIETARY TO MOLEX INCORPORATED AND SHOULD NOT BE USED WITHOUT WRITTEN PERMISSION		

10 9 8 7 6 5 4 3 2 1



引き出し方向  
PULL OUT DIRECTION  
**24幅テープ**  
(TAPE WIDTH:24)

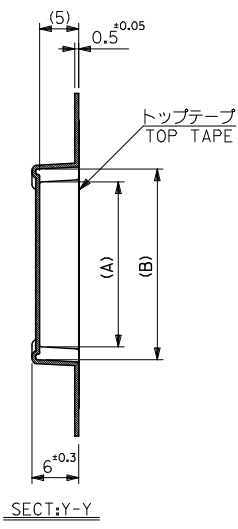
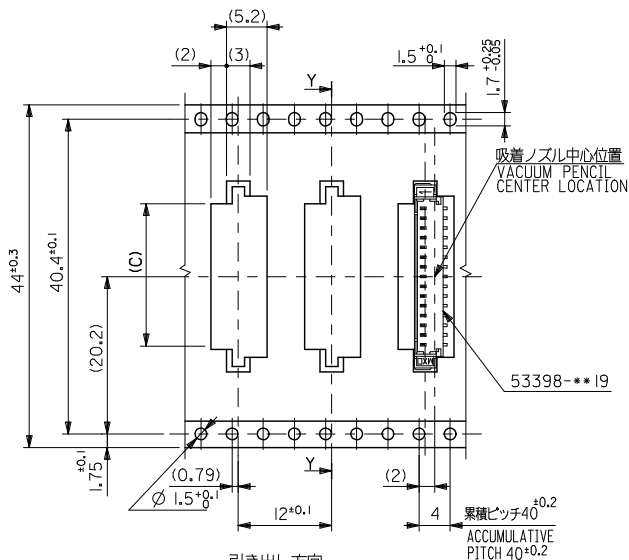


引き出し方向  
PULL OUT DIRECTION  
**32幅テープ**  
(TAPE WIDTH:32)

32	37.4	33.4	16.2	22	18.3	53398-1371	13		
			14.95	20.75	17.05	-1271	12		
24	29.4	25.4	13.7	19.5	15.8	-1171	11		
			12.45	18.25	14.55	-1071	10		
			11.2	17	13.3	-0971	9		
			9.95	15.75	12.05	-0871	8		
			8.7	14.5	10.8	-0771	7		
			7.45	13.25	9.55	-0671	6		
			6.2	12	8.3	-0571	5		
			4.95	10.75	7.05	53398-0471	4		
キャリアテープ幅 CARRIER TAPE WIDTH			E	D	(C)	(B)	(A)	MATERIAL NO.	種数 CKT.

REVISED ELC NO: J2009-2060 DRAWN BY: CHYKOHMATSUMOTO 2009/05/21 APPR: NIKITA 2009/05/21 B REV	GENERAL TOLERANCES (UNLESS SPECIFIED)		DIMENSION STYLE MM ONLY		SCALE ---	DESIGN UNITS METRIC	THIRD ANGLE PROJECTION
	10 UNDER	±0.2	DRAWN BY NINOMIYA	DATE '04/02/06	TITLE 1.25 W/B CONN WAFER ASSY FOR SMT. EMBSTP. PKG. -LEAD FREE-		
	10 OVER 30 UNDER	±0.25	CHECKED BY K. TOJO	DATE '04/02/06	MOLEX INCORPORATED		
	30 OVER	±0.3	APPROVED BY M. SASAO	DATE '04/02/06	DOCUMENT NO. SD-53398-033		
	ANGULAR ±3°		MATERIAL NO. SEE TABLE & SHEET 1,3		SHEET NO. 2 OF 3		
DRAFT WHERE APPLICABLE MUST REMAIN WITHIN DIMENSIONS		SIZE 3 THIS DRAWING CONTAINS INFORMATION THAT IS PROPRIETARY TO MOLEX INCORPORATED AND SHOULD NOT BE USED WITHOUT WRITTEN PERMISSION					

10 9 8 7 6 5 4 3 2 1



44幅テープ (TAPE WIDTH:44)

44	49.4	45.4	18.7	24.5	20.8	53398-1571	15
キャリアテープ幅 CARRIER TAPE WIDTH	E	D	(C)	(B)	(A)	MATERIAL NO.	種数 CKT.

REVISED ELC NO: J2009-2060 DRAWN BY: NINOMIYA CHECKED BY: K. TOJO APPROVED BY: M. SASAO DATE: 2009/05/20 DATE: 2009/05/21 DATE: 2009/05/21	GENERAL TOLERANCES (UNLESS SPECIFIED)		DIMENSION STYLE MM ONLY		SCALE ---	DESIGN UNITS METRIC	THIRD ANGLE PROJECTION
	10 UNDER	±0.2	DRAWN BY NINOMIYA		DATE '04/02/06		
	10 OVER 30 UNDER	±0.25	CHECKED BY K. TOJO		DATE '04/02/06		
	30 OVER	±0.3	APPROVED BY M. SASAO		DATE '04/02/06		
ANGULAR ±3 °		DRAFT WHERE APPLICABLE MUST REMAIN WITHIN DIMENSIONS		MATERIAL NO. SEE TABLE & SHEET 12		DOCUMENT NO. SD-53398-033	
				SIZE A3		THIS DRAWING CONTAINS INFORMATION THAT IS PROPRIETARY TO MOLEX INCORPORATED AND SHOULD NOT BE USED WITHOUT WRITTEN PERMISSION	

TITLE  
1.25 W/B CONN WAFER ASSY FOR SMT. EMBSTP. PKG. -LEAD FREE-

MOLEX INCORPORATED

SHEET NO.  
3 OF 3