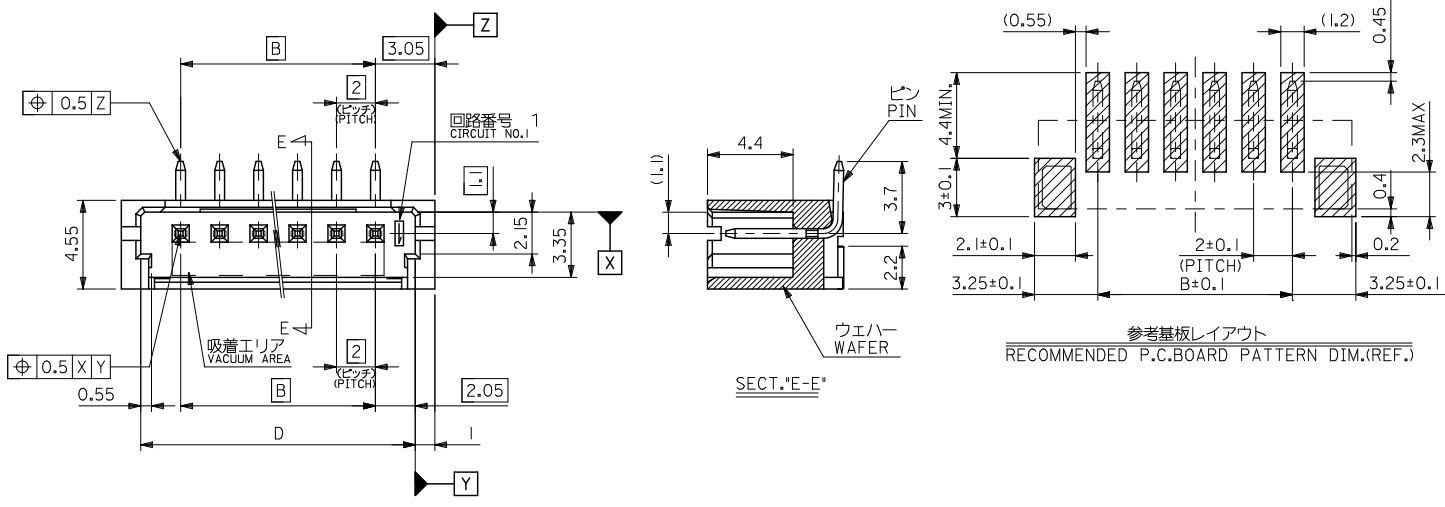


10 9 8 7 6 5 4 3 2 1



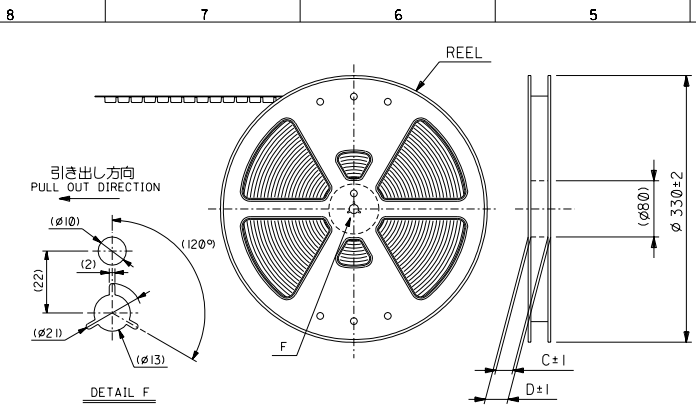
参考基板レイアウト  
RECOMMENDED P.C.BOARD PATTERN DIM.(REF.)

32.1	33.7	28	34.1	55460-1572	15
28.1	29.7	24	30.1	-1372	13
26.1	27.7	22	28.1	-1272	12
22.1	23.7	18	24.1	-1072	10
18.1	19.7	14	20.1	-0872	8
16.1	17.7	12	18.1	-0772	7
14.1	15.7	10	16.1	-0672	6
12.1	13.7	8	14.1	-0572	5
10.1	11.7	6	12.1	-0472	4
8.1	9.7	4	10.1	-0372	3
6.1	7.7	2	8.1	55460-0272	2
D	C	B	A	EMBOSSED PACKAGE オーダー番号 ORDER No.	番数 CKTS.

注記  
NOTES

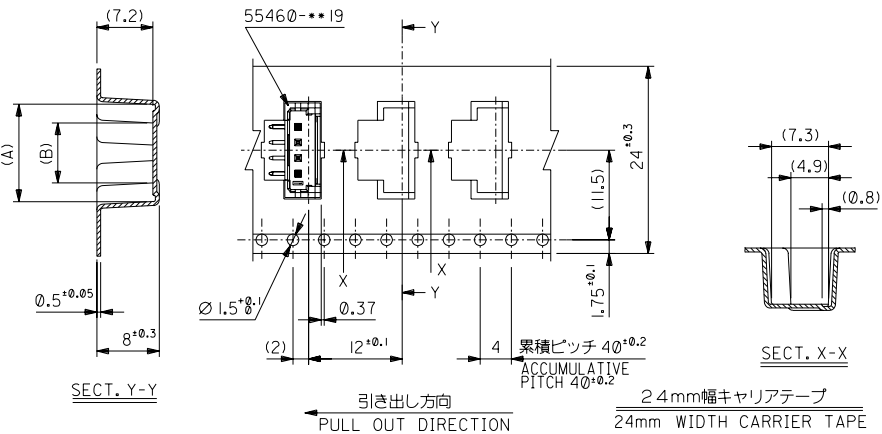
1. 材質  
MATERIAL  
ウェハー : PA (UL94V-0)  
WAFFER : PA, UL94V-0  
ピン : 黄銅 (口0.5), 銅下地鍍メッキ  
PIN : BRASS (口0.5), TIN OVER COPPER PLATING  
金具 : リン青銅 (+0.25), ニッケル下地鍍メッキ  
NAIL : PHOSPHOR BRONZE (+0.25), TIN OVER NICKEL PLATING
2. 嵌合相手 : 51090, 52484 シリーズ  
MATE WITH 51090, 52484 SERIES.
3. 本製品は 55460-\*\*10 の鉛フリー品である。  
THIS PRODUCT IS LEAD FREE OF 55460-\*\*10.
4. ELV AND RoHS COMPLIANT.

REVISED EC NO: J2009-1664 DRAWN BY: DRW:YAAYAGI CHK:DHMATSUNO APPR:NIKITA REV: B	DESCRIPTION	GENERAL TOLERANCES (UNLESS SPECIFIED)	DIMENSION STYLE MM ONLY	SCALE ---	DESIGN UNITS METRIC	THIRD ANGLE PROJECTION
		10 UNDER ±0.2	DRAWN BY T. UENO	DATE 2004/03/29	TITLE 2.0 W/B CONN WAFER ASSY FOR SMT ST	
		10 OVER 30 UNDER ±0.25	CHECKED BY M. SASAO	DATE 2004/03/29	MOLEX INCORPORATED	
		30 OVER ±0.3	APPROVED BY M. SASAO	DATE 2004/03/29	DOCUMENT NO. SD-55460-010	SHEET NO. 1 OF 1
	ANGULAR ±3°	DRAFT WHERE APPLICABLE MUST REMAIN WITHIN DIMENSIONS	MATERIAL NO. SEE TABLE	SIZE A3 THIS DRAWING CONTAINS INFORMATION THAT IS PROPRIETARY TO MOLEX INCORPORATED AND SHOULD NOT BE USED WITHOUT WRITTEN PERMISSION		



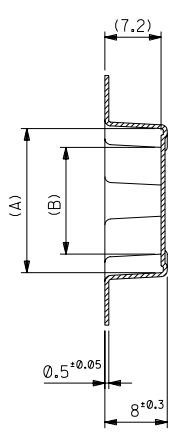
NOTES

- 梱包数量：900個/リール  
NUMBER OF CONNECTOR:900PCS/REEL
- リードテープ長さ  
LEAD TAPE LENGTH
- トップテープの剥離強度：0.1N~1.3N10gf~130gf (剥離方向は下図参照)  
PEELING OFF FORCE OF TOP TAPE:0.1N~1.3N10gf~130gf (PEELING DIRECTION IS SHOWN IN FOLLOWING FIG.)  
<剥離速度：300mm/min (参考)>  
PEELING SPEED:300mm/min (REFERENCE)
- 55460-\*\*-19 の詳細寸法については図面 SD-55460-010 を参照下さい。  
RE DETAILED DIMENSIONS,SEE SD-55460-010
- 材料 (MATERIAL)  
キャリアテープ(CARRIER TAPE):ポリプロピレン (POLYPROPYLENE)  
トップテープ (TOP TAPE): PET ,PE ,PEF  
リール (REEL) : ポリスチレン (PS) <リサイクル材を含む>  
POLYSTYRENE(PS)<RECYCLE MATERIAL CONTAINED>
- 本製品は 55460-\*\*-90 の鉛フリー品である。  
THIS PRODUCT IS LEAD FREE OF 55460-\*\*-90.

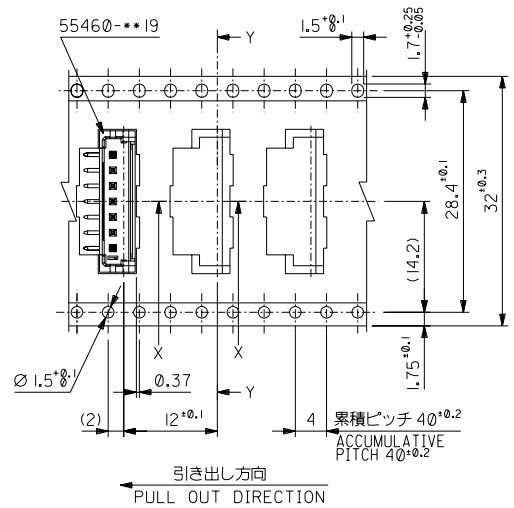


24	29.4	25.4	11.7	16.45	55460-0672	6		
			9.7	14.45	55460-0572	5		
			7.7	12.45	55460-0472	4		
			5.7	10.45	55460-0372	3		
			3.7	8.45	55460-0272	2		
キャリアテープ幅			D	C	B	A	MATERIAL NO.	種番 CKTS.

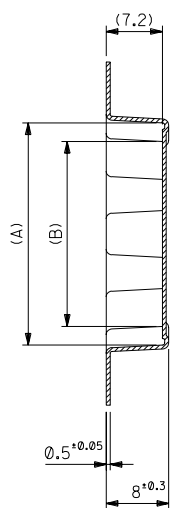
DO NOT SCALE DRAWING		EC NO. DRWN: CH/K: APPR:		EC NO. DRWN: CH/K: APPR:		EC NO. DRWN: CH/K: APPR:		EC NO. DRWN: CH/K: APPR:		EC NO. DRWN: CH/K: APPR:		新規作成 RELEASED EC NO. J2004-3410 DRWN: T.UENO 04/03/29 CHK: M.SASAO 04/03/29 APPR: M.SASAO 04/03/29		MATERIAL 材料 注記参照 SEE NOTES		GENERAL TOLERANCES: (UNLESS SPECIFIED) 一般公差		SCALE 1:1 DESIGN UNITS 1mm 1/16 INCH		55460-**-72 MODEL NO.		DIMENSIONS: mm INCH mm ONLY		SHT REV	
														FINISH 仕上げ //		10 UNDER 未満 +0.2		DRAWN BY & DATE T.UENO 04/03/29		TITLE: 2.0 WtB Conn WAFER Assy Embstp pkg -LEAD FREE-		REVISE ON CAD ONLY			
														WIRE RANGE 適用電線範囲 //		10 OVER 以上 30 UNDER 未満 +0.25		CHECKED BY & DATE M.SASAO 04/03/29		MOLEX INCORPORATED		MATERIAL NO. DRAWING NO.			
														INS. RANGE 被覆外径 //		30 OVER 以上 +0.3		APPROVED BY & DATE M.SASAO 04/03/29		CAD FILENAME MATERIAL NO. DRAWING NO.		SHEET NO.			
																ANGLE 角度 +3°		SD-55460-011.S01 SEE CHART SD-55460-011		SD-55460-011		1 OF 3			
																		THIS DRAWING CONTAINS INFORMATION THAT IS PROPRIETARY TO MOLEX INCORPORATED AND SHOULD NOT BE USED WITHOUT WRITTEN PERMISSION.				SIZE B			
																						EN-02J(097) MXJ-54			



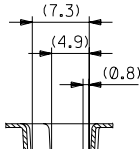
SECT. Y-Y



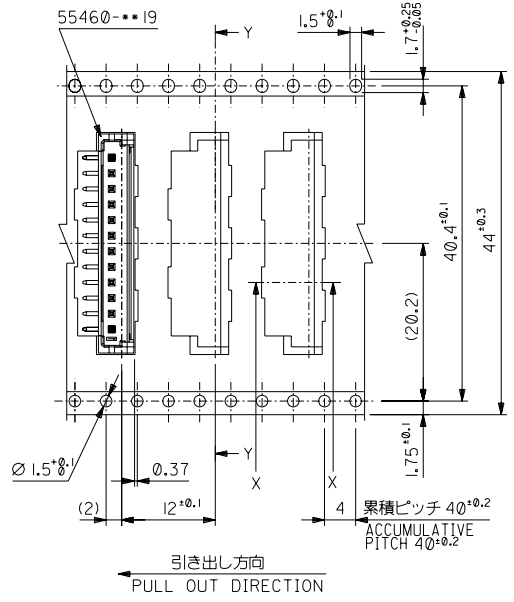
32mm幅キャリアテープ  
32mm WIDTH CARRIER TAPE



SECT. Y-Y



SECT. X-X



44mm幅キャリアテープ  
44mm WIDTH CARRIER TAPE

44	49.4	45.4	25.7	30.45	55460-1372	13	
			23.7	28.45	55460-1272	12	
32	37.4	33.4	19.7	24.45	55460-1072	10	
			15.7	20.45	55460-0872	8	
			13.7	18.45	55460-0772	7	
キャリアテープ幅		D	C	B	A	MATERIAL NO.	種番 CKTS.

DO NOT SCALE DRAWING

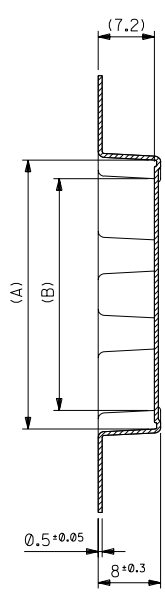
EC NO. DRWN: CHK: APPR:	EC NO. DRWN: CHK: APPR:	EC NO. DRWN: CHK: APPR:	EC NO. DRWN: CHK: APPR:	EC NO. DRWN: CHK: APPR:	EC NO. DRWN: CHK: APPR:
EC NO. SEE SHEET 1 OF 3					

MATERIAL 材料	SHEET 1 OF 3参照 SEE SHEET 1 OF 3
DESCRIPTION	FINISH 仕上げ
WIRE RANGE 適用電線範囲	INS. RANGE 被覆外径

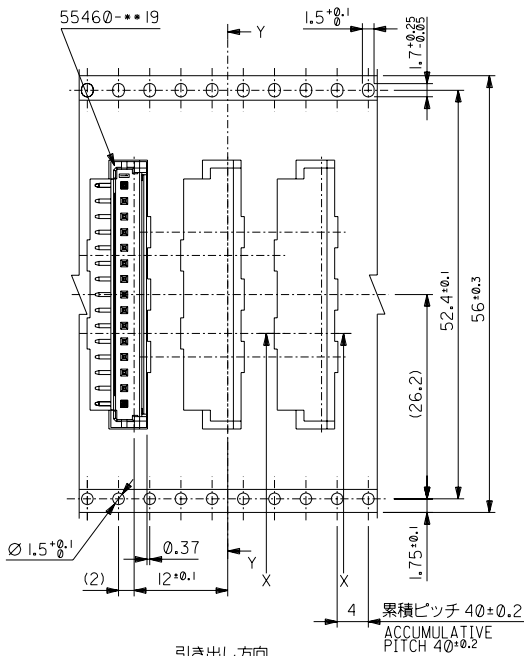
GENERAL TOLERANCES: (UNLESS SPECIFIED) 一般公差	SCALE	DESIGN UNITS
10 UNDER 未満	1:1	mm
10 OVER 30 UNDER 以上 未満		mm
30 OVER 以上		mm
ANGLE 角度		°

55460-**72	MODEL NO.	DIMENSIONS:	SHT	REV
		mm INCH mm ONLY		
DRAWN BY & DATE T.UENO 04/03/29	CHECKED BY & DATE M.SASAO 04/03/29	TITLE: 2.0 WtB Conn WAFER Assy Embstp pkg -LEAD FREE-	REVISE ON CAD ONLY	
APPROVED BY & DATE M.SASAO 04/03/29	CAD FILENAME SD-55460-011.S02	MATERIAL NO. SEE CHART	DRAWING NO. SD-55460-011	SHEET NO. 2 OF 3
THIS DRAWING CONTAINS INFORMATION THAT IS PROPRIETARY TO MOLEX INCORPORATED AND SHOULD NOT BE USED WITHOUT WRITTEN PERMISSION.				SIZE B

DWG. NO. SD-55460-011

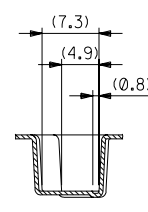


SECT. Y-Y



引き出し方向  
PULL OUT DIRECTION

56mm幅キャリアテープ  
56mm WIDTH CARRIER TAPE



SECT. X-X

56	61.4	57.4	29.7	34.45	55460-1572	15
キャリアテープ幅	D	C	B	A	MATERIAL NO.	種番 CKTS.

SCALE	DESIGN UNITS	MODEL NO.	DIMENSIONS:	SHT	REV
---	<input checked="" type="checkbox"/> mm <input type="checkbox"/> INCH	55460-**72	<input type="checkbox"/> mm <input type="checkbox"/> INCH <input checked="" type="checkbox"/> mm ONLY		
GENERAL TOLERANCES: (UNLESS SPECIFIED) 一般公差		THIRD ANGLE PROJECTION		REVISE ON CAD ONLY	
10 UNDER 未満	+0.2	DRAWN BY & DATE T.UENO 04/03/29			
10 OVER 以上 30 UNDER 未満	+0.25	CHECKED BY & DATE M.SASAO 04/03/29			
30 OVER 以上	+0.3	APPROVED BY & DATE M.SASAO 04/03/29			
ANGLE 角度	+3°	TITLE: 2.0 WtB Conn WAFER Assy Embstp pkg -LEAD FREE-			
CAD FILENAME SD-55460-011.S03		MATERIAL NO. SEE CHART		DRAWING NO. SD-55460-011	
THIS DRAWING CONTAINS INFORMATION THAT IS PROPRIETARY TO MOLEX INCORPORATED AND SHOULD NOT BE USED WITHOUT WRITTEN PERMISSION.		MOLEX INCORPORATED		SHEET NO. 3 OF 3	
				SIZE B	

DO NOT SCALE DRAWING

EC NO. DRWN: CHK'g: APPR:	EC NO. DRWN: CHK'g: APPR:	EC NO. DRWN: CHK'g: APPR:	EC NO. DRWN: CHK'g: APPR:	EC NO. DRWN: CHK'g: APPR:	EC NO. SEE SHEET 1 OF 3 DRWN: CHK'g: APPR:	DESCRIPTION	MATERIAL 材料	GENERAL TOLERANCES: (UNLESS SPECIFIED) 一般公差	SCALE	DESIGN UNITS	MODEL NO.	DIMENSIONS:	SHT	REV	
						FINISH 仕上げ	SHEET 1 OF 3参照 SEE SHEET 1 OF 3		---	<input checked="" type="checkbox"/> mm <input type="checkbox"/> INCH	55460-**72	<input type="checkbox"/> mm <input type="checkbox"/> INCH <input checked="" type="checkbox"/> mm ONLY			
						WIRE RANGE 適用電線範囲		10 UNDER 未満	+0.2	DRAWN BY & DATE T.UENO 04/03/29					
						INS. RANGE 被覆外径		10 OVER 以上 30 UNDER 未満	+0.25	CHECKED BY & DATE M.SASAO 04/03/29					
								30 OVER 以上	+0.3	APPROVED BY & DATE M.SASAO 04/03/29					
								ANGLE 角度	+3°	TITLE: 2.0 WtB Conn WAFER Assy Embstp pkg -LEAD FREE-					
								CAD FILENAME SD-55460-011.S03		MATERIAL NO. SEE CHART		DRAWING NO. SD-55460-011		SHEET NO. 3 OF 3	
								THIS DRAWING CONTAINS INFORMATION THAT IS PROPRIETARY TO MOLEX INCORPORATED AND SHOULD NOT BE USED WITHOUT WRITTEN PERMISSION.							SIZE B

EN-02J(097) MXJ-54