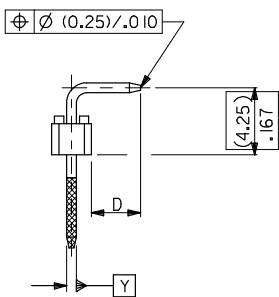
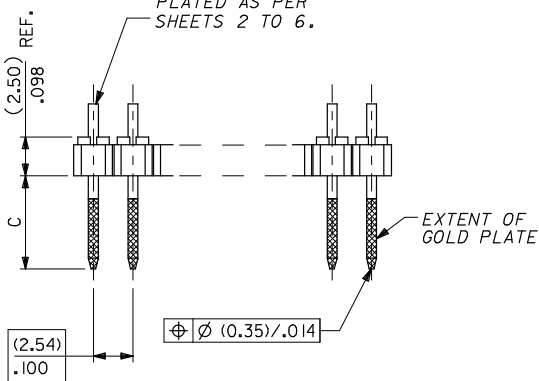


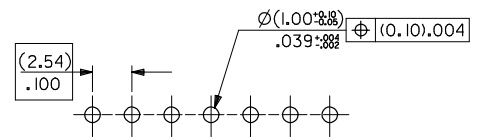
WAFER: 15% GLASS FILLED POLYESTER TO UL 94V-0. COLOUR: BLACK.

PINS: (0.635)/.025 SQ. BRASS WIRE. PLATED AS PER SHEETS 2 TO 6.



NOTES

- FOR ASSY NUMBERS WITH FINISH OPTIONS AND DIM'S C & D SEE SHEETS 2 TO 6.
- PRODUCT SPEC: PS-99020-0001
- RECOMMENDED PCB THICKNESS 1.6mm



RECOMMENDED P.C. BOARD HOLE PATTERN

| CKT SIZE | DIM. "A" | | DIM. "B" (± 0.20 / $\pm .008$) | | CKT SIZE | DIM. "A" | | DIM. "B" (± 0.20 / $\pm .008$) | |
|----------|----------|-------|--------------------------------------|-------|----------|----------|-------|--------------------------------------|-------|
| 1X 1 | | | (2.54) | .100 | 1X21 | (50.80) | 2.000 | (53.34) | 2.100 |
| 1X 2 | (2.54) | .100 | (5.08) | .200 | 1X22 | (53.34) | 2.100 | (55.88) | 2.200 |
| 1X 3 | (5.08) | .200 | (7.62) | .300 | 1X23 | (55.88) | 2.200 | (58.42) | 2.300 |
| 1X 4 | (7.62) | .300 | (10.16) | .400 | 1X24 | (58.42) | 2.300 | (60.96) | 2.400 |
| 1X 5 | (10.16) | .400 | (12.70) | .500 | 1X25 | (60.96) | 2.400 | (63.50) | 2.500 |
| 1X 6 | (12.70) | .500 | (15.24) | .600 | 1X26 | (63.50) | 2.500 | (66.04) | 2.600 |
| 1X 7 | (15.24) | .600 | (17.78) | .700 | 1X27 | (66.04) | 2.600 | (68.58) | 2.700 |
| 1X 8 | (17.78) | .700 | (20.32) | .800 | 1X28 | (68.58) | 2.700 | (71.12) | 2.800 |
| 1X 9 | (20.32) | .800 | (22.86) | .900 | 1X29 | (71.12) | 2.800 | (73.66) | 2.900 |
| 1X10 | (22.86) | .900 | (25.40) | 1.000 | 1X30 | (73.66) | 2.900 | (76.20) | 3.000 |
| 1X11 | (25.40) | 1.000 | (27.94) | 1.100 | 1X31 | (76.20) | 3.000 | (78.74) | 3.100 |
| 1X12 | (27.94) | 1.100 | (30.48) | 1.200 | 1X32 | (78.74) | 3.100 | (81.28) | 3.200 |
| 1X13 | (30.48) | 1.200 | (33.02) | 1.300 | 1X33 | (81.28) | 3.200 | (83.82) | 3.300 |
| 1X14 | (33.02) | 1.300 | (35.56) | 1.400 | 1X34 | (83.82) | 3.300 | (86.36) | 3.400 |
| 1X15 | (35.56) | 1.400 | (38.10) | 1.500 | 1X35 | (86.36) | 3.400 | (88.90) | 3.500 |
| 1X16 | (38.10) | 1.500 | (40.64) | 1.600 | 1X36 | (88.90) | 3.500 | (91.44) | 3.600 |
| 1X17 | (40.64) | 1.600 | (43.18) | 1.700 | 1X37 | (91.44) | 3.600 | (93.98) | 3.700 |
| 1X18 | (43.18) | 1.700 | (45.72) | 1.800 | 1X38 | (93.98) | 3.700 | (96.52) | 3.800 |
| 1X19 | (45.72) | 1.800 | (48.26) | 1.900 | 1X39 | (96.52) | 3.800 | (99.06) | 3.900 |
| 1X20 | (48.26) | 1.900 | (50.80) | 2.000 | 1X40 | (99.06) | 3.900 | (101.60) | 4.000 |

| | | | | | | | | | | |
|--|-------------------------------|--|------|----------------------------|----------------|--|---|------------------------|---------------------|--|
| Corrected view size EC NO: E2008-0479 DRWN: K. ERMAN CHKD: 2008/03/18 APPR: BMAGUIRE 2008/03/18 | QUALITY SYMBOLS ▽=0 ▽=0 | GENERAL TOLERANCES (UNLESS SPECIFIED) | | DIMENSION STYLE MM ONLY | | SCALE 4:1 | DESIGN UNITS METRIC | THIRD ANGLE PROJECTION | | |
| | | | mm | INCH | DRAWN BY DB | DATE | TITLE C-GRID III SINGLE ROW RIGHT ANGLE HEADER | | | |
| | | 4 PLACES | ±--- | ±--- | CHECKED BY | DATE | MOLEX INCORPORATED | | | |
| | | 3 PLACES | ±--- | ±--- | APPROVED BY | DATE | DOCUMENT NO. SDA-90121 | | SHEET NO. 1 OF 6 | |
| ANGULAR ±1/2° | | DRAFT WHERE APPLICABLE MUST REMAIN WITHIN DIMENSIONS | | MATERIAL NO. SEE CHART | | THIS DRAWING CONTAINS INFORMATION THAT IS PROPRIETARY TO MOLEX INCORPORATED AND SHOULD NOT BE USED WITHOUT WRITTEN PERMISSION | | | | |

| | 10 | 9 | 8 | 7 | 6 | 5 | 4 | 3 | 2 | 1 | |
|---|--|--|---|---|----------------|----------------|----------------|--|---|---|--|
| F E D C B A | PART NO. SEE CHART SDA-90121 DWG. NO. | DIM C (±0.20) ±.008 (6.75) .266 | DIM D (±0.25) ±.00 (2.90) .114 | CIRCUIT SIZE | PLATING TYPE A | PLATING TYPE E | PLATING TYPE F | | | | |
| | | | | | PART NO. | PART NO. | PART NO. | | | | |
| | | | | | 90121-0121 | 90121-0761 | 90121-0921 | | | | |
| | | | | | ↑ -0122 | ↑ -0762 | ↑ -0922 | | | | |
| | | | | | -0123 | -0763 | -0923 | | | | |
| | | | | | -0124 | -0764 | -0924 | | | | |
| | | | | | -0125 | -0765 | -0925 | | | | |
| | | | | | -0126 | -0766 | -0926 | | | | |
| | | | | | -0127 | -0767 | -0927 | | | | |
| | | | | | -0128 | -0768 | -0928 | | | | |
| | | | | | -0129 | -0769 | -0929 | | | | |
| | | | | | -0130 | -0770 | -0930 | | | | |
| | | | | | -0131 | -0771 | -0931 | | | | |
| | | | | | -0132 | -0772 | -0932 | | | | |
| | | | | | -0133 | -0773 | -0933 | | | | |
| | | | | | -0134 | -0774 | -0934 | | | | |
| | | | | | -0135 | -0775 | -0935 | | | | |
| | | | | | -0136 | -0776 | -0936 | | | | |
| | | | | | -0137 | -0777 | -0937 | | | | |
| | | | | | -0138 | -0778 | -0938 | | | | |
| | | | | | -0139 | -0779 | -0939 | | | | |
| | | | | | -0140 | -0780 | -0940 | | | | |
| | | | | | -0141 | -0781 | -0941 | | | | |
| | | | | | -0142 | -0782 | -0942 | | | | |
| | | | | | -0143 | -0783 | -0943 | | | | |
| | | | | | -0144 | -0784 | -0944 | | | | |
| | | | | | -0145 | -0785 | -0945 | | | | |
| | | | | | -0146 | -0786 | -0946 | | | | |
| | | | | | -0147 | -0787 | -0947 | | | | |
| | | | | | -0148 | -0788 | -0948 | | | | |
| | | | | | -0149 | -0789 | -0949 | | | | |
| | | | | | -0150 | -0790 | -0950 | | | | |
| | | | | | -0151 | -0791 | -0951 | | | | |
| | | | | | -0152 | -0792 | -0952 | | | | |
| | | | | | -0153 | -0793 | -0953 | | | | |
| | | | | | -0154 | -0794 | -0954 | | | | |
| | | | | | -0155 | -0795 | -0955 | | | | |
| | | | | | -0156 | -0796 | -0956 | | | | |
| | | | | | -0157 | -0797 | -0957 | | | | |
| | | | | | -0158 | -0798 | -0958 | | | | |
| | ↓ -0159 | ↓ -0799 | ↓ -0959 | | | | | | | | |
| | 90121-0160 | 90121-0800 | 90121-0960 | | | | | | | | |
| NOTES: FOR PLATING VARIATIONS SEE ENG.STD. SDES-99000-0003. | | | | FOR PREVIOUS DRAWING ISSUES SEE MRI. | | | | SEE SHEET I. | | | |
| STANDARD PRODUCTS | | | | | | | | | | | |
| REVISIONS | | | | DIMENSIONS SHOWN (METRIC) INCH UNLESS OTHERWISE SPECIFIED TOLERANCES: ANGULAR ± 8° 3 PLACE ± .000 INCH (METRIC) 2 PLACE ± .000 # --- 1 PLACE ± .000 # --- DRAFT WHERE APPLICABLE MUST REMAIN WITHIN DIMENSIONS | | | | DRWG BY DB CHKD BY APP'D BY SCALE | | | |
| LTR | | | | DESIGN DIMENSION (PRIMARY) <input checked="" type="checkbox"/> (MM) <input type="checkbox"/> IN. EQUIVALENT DIMENSION (SECONDARY) <input type="checkbox"/> (MM) <input checked="" type="checkbox"/> IN. | | | | REVISE ONLY ON CAD SYSTEM SH. REV. CAD/CAM FILENAME: S90121K2.DGN THIS DRAWING CONTAINS INFORMATION THAT IS PROPRIETARY TO MOLEX INC. & SHOULD NOT BE USED WITHOUT WRITTEN PERMISSION TITLE: C-GRID III SINGLE ROW RIGHT ANGLE HEADER MOLEX EUROPE SHEET NO. DATE 20F 16/ 7/87 PART NO. DWG NO. SEE CHART SDA-90121 SIZE B | | | |