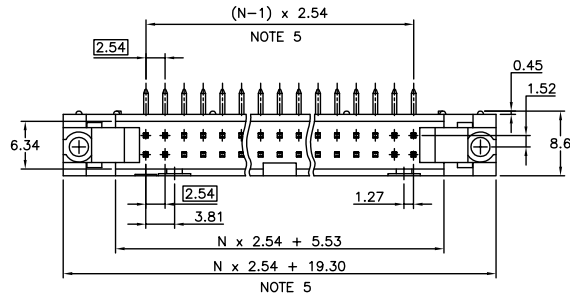


PRODUCT NUMBER  
71922-YXXLF

WHEN REQUIRED, ADD SUFFIX LETTER "LF"  
INDICATES THE PRODUCT IS RoHS  
COMPATIBLE, SEE NOTE 10

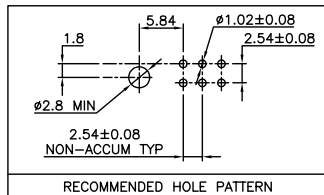
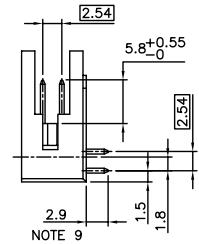
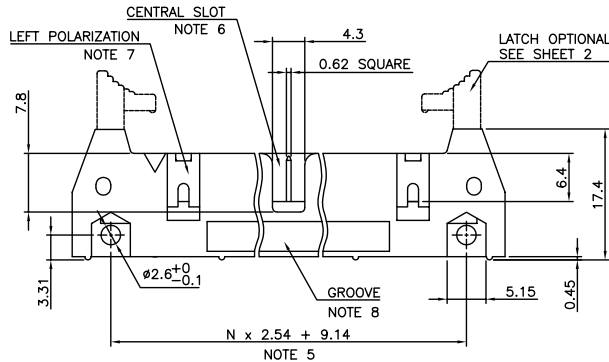
TOTAL NB OF POSITIONS, SEE SHEET 2

LATCHING  
0= WITHOUT LATCH  
1= STANDARD LATCH  
2= LOW PROFILE LATCH



NOTES:

- 1 - HOUSING MAT'L : GLASS FILLED THERMOPLASTIC. UL94V-0 COLOR: GREY
- 2 - PIN MATERIAL : PHOSPHOR BRONZE
- 3 - PRODUCT PACKAGED IN TUBES
- 4 - 40N MIN LATCH RETENTION FORCE AT FIRST EXTRACTION
- 5 - TO DETERMINE DIMENSIONS :  
N = NUMBER OF POSITIONS PER ROW  
EXAMPLE : 8 POS N x 2.54 = 20.32mm
- 6 - NO CENTRAL SLOT ON POSITIONS 6 & 8
- 7 - NO LEFT POLARIZATION ON POSITIONS 06, 08, 10, 14.
- 8 - NO GROOVE ON POSITIONS 06, 08, 10, 14, 30, 34
- 9 - 4.5mm SOLDER TAIL  
ORDER 71922-4XX (WITH STANDARD LATCH ONLY)  
ORDER 71922-5XX (WITH LOW PROFILE LATCH ONLY)
- 10 - **RoHS COMPATIBLE PRODUCT SPECIFICATIONS**
  - a - **PLATING:**
    - "LF" MEANS THE PRODUCT IS LEAD-FREE, 2µm MINIMUM MATTE TIN OVER 1.27µm MINIMUM NICKEL UNDERPLATE.
  - b - **MANUFACTURING PROCESS COMPATIBILITY**
    - THE HOUSING WILL WITHSTAND EXPOSURE TO 260°C ±5°C SOLDER BATH TEMPERATURE FOR 5 SECONDS IN A WAVE SOLDER APPLICATION WITH A 1.6mm MIN THICK CIRCUIT BOARD.
  - c - **LABELING:**
    - MEETS PACKAGING SPECS AS PER GS-14-920
  - d - **LEGAL STATEMENT:** SEE GS-22-008.



mat'l. code	SEE NOTES	surface	ISO 1302	tolerance	ISO 406	ISO 1101	projection	product family	QUICKIE
ltr	ecn no	dr	date	tolerances unless otherwise specified	XX	±0.3	mm	title	SHR.EL.HEADER
V	F10-0054	LMU	10.05.19	angles	linear	.XX	±0.13	RA DR TMT	
P	F04-0325	JCO	04.08.16		.XXX	±0.05	scale 2:1	dwg no	71922
R	F04-0389	LMU	04.09.17	dr	D.L.E	01.01.24		sheet 1 of 2	size
S	F06-0229	LMU	06.07.17	engr	J.M.C	01.01.24		A3	
T	F07-0195	LMU	07.05.25	chr	J.F.N	01.01.24		type	CUSTOMER Drawing
U	F08-0146	YOV	08.04.11	appd	J.M.C	01.01.24			
sheet index	revision	V	P						
	sheet	1	2						

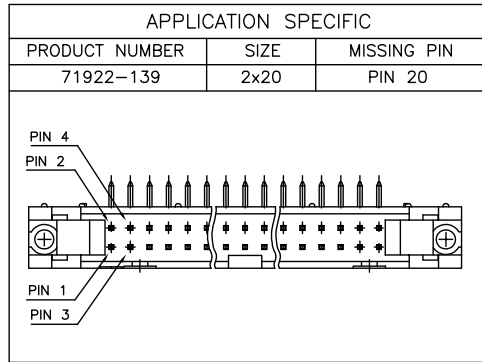
PDM: Rev:V

STATUS:Released

Printed: Jun 01, 2010

CORE RANGE	
LATCHING	NUMBER OF POSITIONS
1	06
1	08
1	10
1	14
1	16
1	18
1	20
1	26
1	30
1	34
1	40
1	44
1	50
1	60
1	64

CATALOGUE RANGE	
LATCHING	NUMBER OF POSITIONS
0/2	06
0/2	08
0/2	10
0/2	14
0/2	16
0/2	18
0/2	20
0/2	26
0/2	30
0/2	34
0/2	40
0/2	44
0/2	50
0/2	60
0/2	64

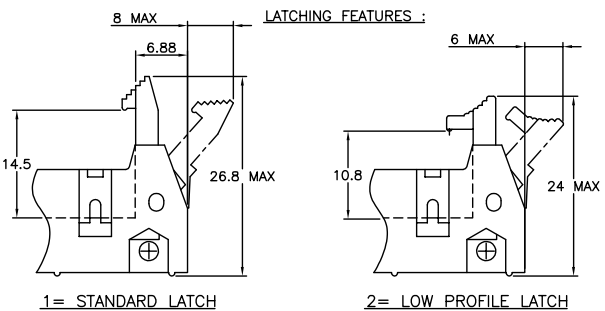


PLATING :  
 - 0.76µm GOLD/GXT  
 (PdNi WITH GOLD FLASH) ON CONTACT AREA  
 3.81µm TIN-LEAD ON TAIL  
 UNDERPLATE : 1.27µm Ni MIN

- WHEN SUFFIX LETTER "LF" IS REQUIRED,  
 2µm MIN MATTE TIN OVER 1.27µm MIN  
 NICKEL IS PROVIDED INSTEAD OF TIN-LEAD

PLATING :  
 - 0.76µm GOLD/GXT  
 (PdNi WITH GOLD FLASH) ON CONTACT AREA  
 3.81µm TIN-LEAD ON TAIL  
 UNDERPLATE : 1.27µm Ni MIN

- WHEN SUFFIX LETTER "LF" IS REQUIRED,  
 2µm MIN MATTE TIN OVER 1.27µm MIN  
 NICKEL IS PROVIDED INSTEAD OF TIN-LEAD



mat'l. code	surface ISO 1302	tolerance ISO 406 ISO 1101	projection	product family QUICKIE
Ltr	ecn no	dr	date	title
M	F06-0229	LMU	06.07.17	SHR.EL.HEADER
N	F07-0195	LMU	07.05.25	RA DR TMT
P	F08-0146	YOV	08.04.11	scale 2:1
J	F04-176	LMU	04.04.23	engr
K	F04-0325	JCO	04.08.16	chr
L	F04-0389	JCO	04.12.21	app
sheet index	revision sheet	dr	D.L.E	01.01.24
			J.M.C	01.01.24
			J.F.N	01.01.24
			J.M.C	01.01.24
				type
				CUSTOMER Drawing
				dwg no
				71922
				sheet 2 of - size
				A3