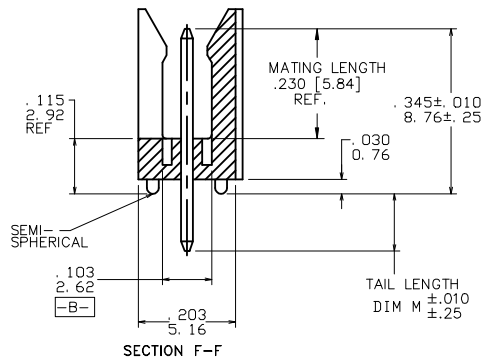
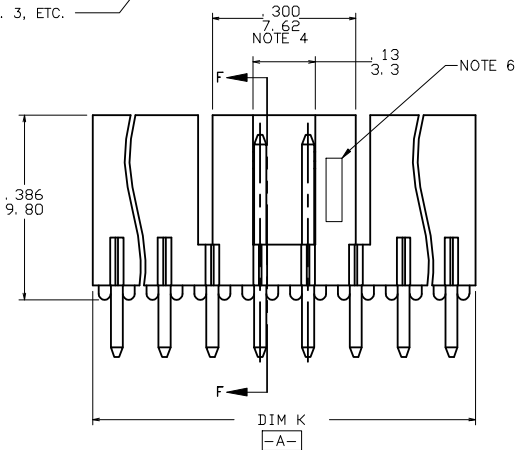
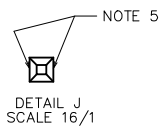
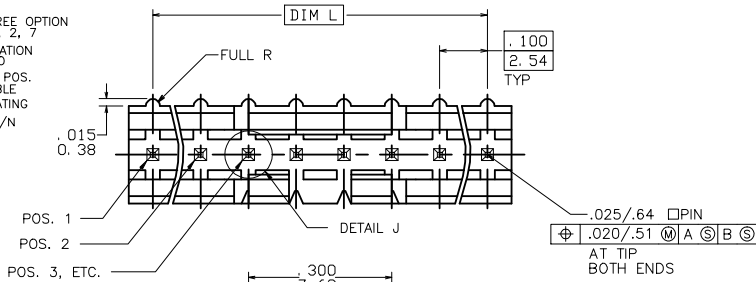


PRODUCT NUMBER
69167-XXXXXXHLF

- LEAD FREE OPTION
NOTE 1, 2, 7
- POLARIZATION
NOTE 10
- NO. OF POS.
SEE TABLE
- PIN PLATING
- BASE P/N



mal't. code		surface	tolerance	projection	product family
		ISO 1302	ISO 146 ISO 1001	ASME Y14.5	HEADER
lfr	ecn no	dr	date	tolerances unless otherwise specified	title
K	V71183	HTB	9/8/97	linear	FRICION LATCH HEADER
L	V71470	HTB	10/9/97	linear	SINGLE ROW VERTICAL
M	V03-0352	GIP	03/25/03	linear	
N	M05-0134	MHT	6/17/05	linear	
P	M05-0174	ERE	08/05/05	linear	
R	M06-0254	MHT	9/07/06	linear	
S	M08-0294	MHT	10/06/08	linear	
sheet	revision	S	S	S	dwg no
index	sheet	1	2	3	69167



Copyright FCI

PRODUCT NUMBER	NO OF POS	DIM K	DIM L	TAIL LENGTH DIM M
69167-X03	1 X 3	.300/7.62	.200/5.08	.120/3.05
69167-X04	1 X 4	.400/10.16	.300/7.62	.120/3.05
69167-X05	1 X 5	.500/12.70	.400/10.16	.120/3.05
69167-X06	1 X 6	.600/15.24	.500/12.70	.120/3.05
69167-X07	1 X 7	.700/17.78	.600/15.24	.120/3.05
69167-X08	1 X 8	.800/20.32	.700/17.78	.120/3.05
69167-X09	1 X 9	.900/22.86	.800/20.32	.120/3.05
69167-X10	1 X 10	1.000/25.40	.900/22.86	.120/3.05
69167-X11	1 X 11	1.100/27.94	1.000/25.40	.120/3.05
69167-X12	1 X 12	1.200/30.48	1.100/27.94	.120/3.05
69167-X13	1 X 13	1.300/33.02	1.200/30.48	.120/3.05
69167-X14	1 X 14	1.400/35.56	1.300/33.02	.120/3.05
69167-X15	1 X 15	1.500/38.10	1.400/35.56	.120/3.05
69167-X16	1 X 16	U N A V A I L A B L E		
69167-X17	1 X 17	U N A V A I L A B L E		
69167-X18	1 X 18	U N A V A I L A B L E		
69167-X19	1 X 19	U N A V A I L A B L E		
69167-X20	1 X 20	U N A V A I L A B L E		
69167-X21	1 X 21	U N A V A I L A B L E		
69167-X22	1 X 22	U N A V A I L A B L E		
69167-X23	1 X 23	U N A V A I L A B L E		
69167-X24	1 X 24	U N A V A I L A B L E		
69167-X25	1 X 25	U N A V A I L A B L E		
69167-X26	1 X 26	U N A V A I L A B L E		
69167-X27	1 X 27	U N A V A I L A B L E		
69167-X28	1 X 28	U N A V A I L A B L E		
69167-X29	1 X 29	U N A V A I L A B L E		
69167-X30	1 X 30	U N A V A I L A B L E		
69167-X31	1 X 31	U N A V A I L A B L E		
69167-X32	1 X 32	U N A V A I L A B L E		
69167-X33	1 X 33	U N A V A I L A B L E		
69167-X34	1 X 34	U N A V A I L A B L E		
69167-X35	1 X 35	U N A V A I L A B L E		
69167-X36	1 X 36	U N A V A I L A B L E		

PIN PLATING CODES	
XXXX-1YY	30u"/0.76u MIN (SEE NOTE 8) OVER 50u"/1.27u MIN Ni
XXXX-2YY	15u"/0.38u MIN (SEE NOTE 8) OVER 50u"/1.27u MIN Ni
XXXX-3YY	50u"/1.27u MIN Au OVER 50u"/1.27u MIN Ni
XXXX-4YY	
XXXX-4YHLF	100u"/2.54u MIN Sn OVER 50u"/1.27u MIN Ni (SEE NOTE 9)
XXXX-5YY	15u"/0.38u MIN (SEE NOTE 8) OVER 50u"/1.27u MIN Ni
XXXX-6YY	30u"/0.76u MIN (SEE NOTE 8) OVER 50u"/1.27u MIN Ni
XXXX-7YY	30u"/0.76u MIN Au OVER 50u"/1.27u MIN Ni
XXXX-8YY	15u"/0.38u MIN Au OVER 50u"/1.27u MIN Ni

- NOTES:
- PART NUMBER OPTIONS:
PIN PLATING CODES (SEE ABOVE)
LEAD FREE:
ADD "HLF" AT THE END OF PART NUMBER FOR LEAD FREE OPTION, NOT AVAILABLE FOR -5YY, -5YYH, -6YY, -6YYH.
 - BODY MATERIAL:
GLASS REINFORCED PCT COLOR: BLACK
FLAME RETARDANT PER UL 94 V-0
MAXIMUM OPERATING TEMPERATURE: 130° C
OR
MINERAL FILLED LCP, COLOR BLACK
FLAME RETARDANT PER UL 94 V-0

PART NUMBERS WITH "H" SUFFIX WILL WITHSTAND EXPOSURE TO 260°C PEAK TEMPERATURE FOR 20 SECONDS IN WAVE SOLDER, INFRA-RED OR VAPOR PHASE SOLDER PROCESS.
PART NUMBERS WITHOUT "H" SUFFIX WILL WITHSTAND EXPOSURE TO 260°C PEAK TEMPERATURE FOR WAVE SOLDER PROCESS.
 - PIN MATERIAL: 3/4 HARD PHOS-BRONZE.
 - NO SLOTS ON 1 X 5 POSITION OR SMALLER PRODUCT. THE CENTER KEY SLOT WILL BE ON ALL HEADERS REGARDLESS OF SIZE.
 - TWO NON-CRITICAL SIDES OF PIN TIP NOT PLATED, BOTH ENDS
 - COMPANY LOGO MAY APPEAR IN THIS AREA.
 - THESE PRODUCTS MEET EUROPEAN UNION DIRECTIVES AND OTHER COUNTRY REGULATION AS DESCRIBED IN GS-22-008.
 - PLATING OPTIONS:
MAY BE EITHER GOLD OR CXT PLATED AT MANUFACTURER'S OPTION.
 - *THIS PRODUCT HAS 100% TIN PLATING IN THE INTERFACE AND HAS NOT BEEN TESTED FOR WHISKER GROWTH IN ALL INTERCONNECT ENVIRONMENTS.
 - FOR POLARIZATION, SPECIFY POSITION NUMBER (i.e. A03=ROW A POSITION 03) TO OMIT PIN.
OMIT FROM PRODUCT NUMBER IF THIS FEATURE IS NOT APPLICABLE.
PRODUCT MANAGEMENT APPROVAL REQUIRED PRIOR TO RELEASE OR SALE OF POLARIZED PRODUCT.

mal't code		surface	tolerance	projection	product family
		ISO 1902	ISO 146		HEADER
			ISO 1001		
itr		tolerances unless otherwise specified			title
ecn no					FRICION LATCH HEADER
dr					SINGLE ROW VERTICAL
date					dwg no
					69167
					sheet 2 of 3 size
					A3
					type
					Product Customer Drawing
sheet					
revision					
index					

PRODUCT NUMBER	NO OF POS	DIM K	DIM L	TAIL LENGTH DIM M
69167-X43	1 X 3	.300/7.62	.200/5.08	.190/4.83
69167-X44	1 X 4	.400/10.16	.300/7.62	.190/4.83
69167-X45	1 X 5	.500/12.70	.400/10.16	.190/4.83
69167-X46	1 X 6	.600/15.24	.500/12.70	.190/4.83
69167-X47	1 X 7	.700/17.78	.600/15.24	.190/4.83
69167-X48	1 X 8	.800/20.32	.700/17.78	.190/4.83
69167-X49	1 X 9	.900/22.86	.800/20.32	.190/4.83
69167-X50	1 X 10	1.000/25.40	.900/22.86	.190/4.83
69167-X51	1 X 11	1.100/27.94	1.000/25.40	.190/4.83
69167-X52	1 X 12	1.200/30.48	1.100/27.94	.190/4.83
69167-X53	1 X 13	1.300/33.02	1.200/30.48	.190/4.83
69167-X54	1 X 14	1.400/35.56	1.300/33.02	.190/4.83
69167-X55	1 X 15	1.500/38.10	1.400/35.56	.190/4.83
69167-X56	1 X 16	U N A	V A I L A B L E	
69167-X57	1 X 17	U N A	V A I L A B L E	
69167-X58	1 X 18	U N A	V A I L A B L E	
69167-X59	1 X 19	U N A	V A I L A B L E	
69167-X60	1 X 20	U N A	V A I L A B L E	
69167-X61	1 X 21	U N A	V A I L A B L E	
69167-X62	1 X 22	U N A	V A I L A B L E	
69167-X63	1 X 23	U N A	V A I L A B L E	
69167-X64	1 X 24	U N A	V A I L A B L E	
69167-X65	1 X 25	U N A	V A I L A B L E	
69167-X66	1 X 26	U N A	V A I L A B L E	
69167-X67	1 X 27	U N A	V A I L A B L E	
69167-X68	1 X 28	U N A	V A I L A B L E	
69167-X69	1 X 29	U N A	V A I L A B L E	
69167-X70	1 X 30	U N A	V A I L A B L E	
69167-X71	1 X 31	U N A	V A I L A B L E	
69167-X72	1 X 32	U N A	V A I L A B L E	
69167-X73	1 X 33	U N A	V A I L A B L E	
69167-X74	1 X 34	U N A	V A I L A B L E	
69167-X75	1 X 35	U N A	V A I L A B L E	
69167-X76	1 X 36	U N A	V A I L A B L E	

mal't. code		surface	tolerance	projection	product family
		ISO 1302	ISO 146 ISO 1001		HEADER
ltr	ecr no	dr	date		title
S					FRICION LATCH HEADER SINGLE ROW VERTICAL
		angles	linear	INCH/MM	
		0'±2'	XX±.01/XX±.03 XXX±.005/XXX±.013	scale 4:1	
		dr	M.CLOUSER	11/27/90	dwg no
		eng	C.TREXTLER	11/27/90	69167
		chr	C.TREXTLER	11/27/90	sheet 3 of 3 size
		appd	C.TREXTLER	11/27/90	A3
sheet index		revision sheet	type Product Customer Drawing		

PDM: Rev:S STATUS:Released Printed: Dec 01, 2010