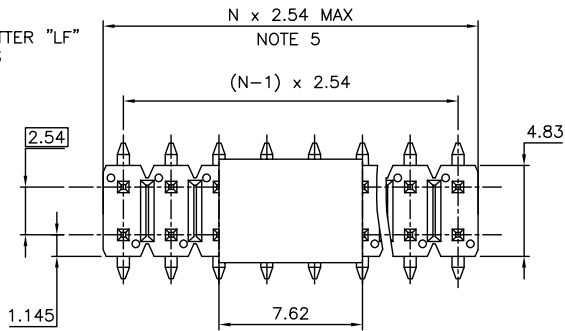


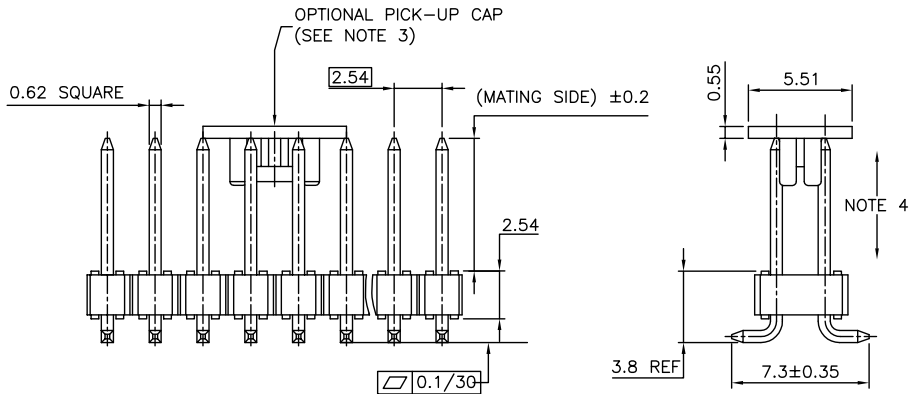
PRODUCT NUMBER
95278-YXX-XXLF

- WHEN REQUIRED, ADD SUFFIX LETTER "LF" INDICATES THE PRODUCT IS RoHS COMPATIBLE, SEE NOTE 6
- TOTAL NB OF POSITIONS 04 TO 50
- PACKAGING OPTIONS, NOTE 3.
- PIN STYLE SEE SHEET 2
- PLATING SEE SHEET 2



NOTES:

1. HOUSING MAT'L : HIGH TEMPERATURE THERMOPLASTIC. UL94V-0 COLOR: BLACK
2. PIN MATERIAL : PHOSPHOR BRONZE
- 3 - PACKAGING OPTIONS:
 - = POLY BAGS
 - B = TUBE + CAP
 - A = TAPE & REEL WITH CAP, SEE TA840 FOR PRODUCT AVAILABILITY.
 - TR = TAPE & REEL WITH CAP, SEE TA840 ONLY FOR P/N 95278-102TR04LF
4. 9N MIN RETENTION IN EITHER DIRECTION
5. TO DETERMINE DIMENSIONS :
N = NUMBER OF POSITIONS PER ROW
EXAMPLE : 8 POS N x 2.54 = 20.32mm
6. RoHS COMPATIBLE PRODUCT SPECIFICATIONS
 - a - PLATING:
 - "LF" MEANS THE PRODUCT IS LEAD-FREE, 2µm MINIMUM MATTE TIN OVER 1.27µm MINIMUM NICKEL UNDERPLATE.
 - b - MANUFACTURING PROCESS COMPATIBILITY
 - THE HOUSING WILL WITHSTAND EXPOSURE TO 260°C PEAK TEMPERATURE FOR 30 SECONDES IN A CONVECTION, INFRA-RED OR VAPOR PHASE REFLOW OVEN.
 - c - LABELING:
 - MEETS PACKAGING SPECS AS PER GS-14-920
 - d - LEGAL STATEMENT: SEE GS-22-008



mat'l. code		surface		tolerance		projection		product family	
		ISO 1302		ISO 406 ISO 1101		mm		BERGSTIK	
Ltr	ecn no	dr	date	tolerances unless otherwise specified		mm		title	
N	F08-0148	RTR	08.03.31	angles	linear	xx ±0.3		UNSHR.HEADER	
P	F08-0253	LMU	08.12.10			xxx ±0.13		DR SMT	
R	F10-0008	LMU	10.03.09			xxx ±0.05	scale 5:1	dwg no	
				dr	D.L.E	01.01.24		sheet 1 of 2	
K	F06-0168	LMU	06.04.21	enrg	J.M.C	01.01.24		size	
L	F06-0208	JCO	06.06.22	chr	J.M.C	01.01.24		95278	
M	F08-0124	LMU	08.02.11	appd	J.F.N	01.01.24		A3	
sheet	revision	R	N					type	
index	sheet	1	2					CUSTOMER Drawing	

PDM: Rev:R

STATUS: Released

Printed: May 01, 2010

CORE RANGE		
PLATING	PIN STYLE	MATING
1	01	5.9

PLATING
1 = 0.76µm GOLD/GXT ON CONTACT AREA
3.81µm TIN/LEAD ON TAIL

WHEN "LF" IS REQUIRED, 2µm MIN
MATTE TIN OVER 1.27µm MIN NICKEL
INSTEAD OF TIN-LEAD

CATALOGUE RANGE		
PLATING	PIN STYLE	MATING
4/8	01	5.9
1/4/8	02	8

PLATING
1 = 0.76µm GOLD/GXT ON CONTACT AREA
3.81µm TIN-LEAD ON TAIL

4 = 3.81µm TIN-LEAD ON CONTACT AREA
AND ON TAIL

8 = 0.38µm GOLD/GXT ON CONTACT AREA
3.81µm TIN-LEAD ON TAIL

WHEN "LF" IS REQUIRED, 2µm MIN
MATTE TIN OVER 1.27µm MIN NICKEL
INSTEAD OF TIN-LEAD

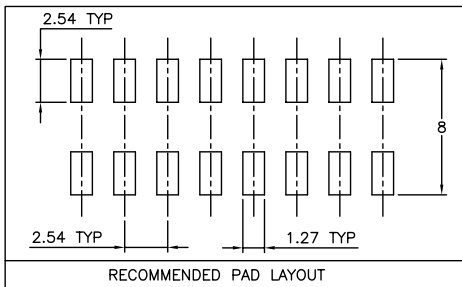
APPLICATION SPECIFIC		
PLATING	PIN STYLE	MATING
1/4/8	06	10.4
1/4/8	07	5.3
1/4/8	09	17.00
1/4/8	10	8.10

PLATING
1 = 0.76µm GOLD/GXT ON CONTACT AREA
3.81µm TIN-LEAD ON TAIL

4 = 3.81µm TIN-LEAD ON CONTACT AREA
AND ON TAIL

8 = 0.38µm GOLD/GXT ON CONTACT AREA
3.81µm TIN-LEAD ON TAIL

WHEN "LF" IS REQUIRED, 2µm MIN
MATTE TIN OVER 1.27µm MIN NICKEL
INSTEAD OF TIN-LEAD



mat'l. code		surface		tolerance		projection		product family	
		ISO 1302		ISO 406 ISO 1101		mm		BERGSTIK	
ltr		ecn no		dr		date		title	
N		F08-0253		LMU		08.12.10		UNSHR.HEADER DR SMT	
H		F10181		LMU		01.03.29		scale N/A	
J		F04-0362		JCO		04.12.10		D.LE	
K		F06-0208		JCO		06.06.22		engr	
L		F08-0124		LMU		08.02.11		chr	
M		F08-0148		RTR		08.03.31		appd	
sheet		revision		sheet		index			

PDM: Rev:R STATUS: Released Printed: May 01, 2010