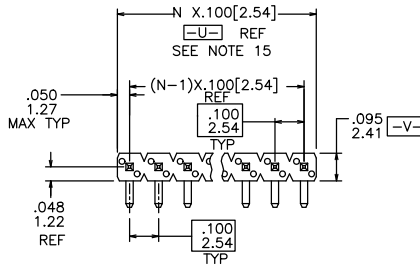


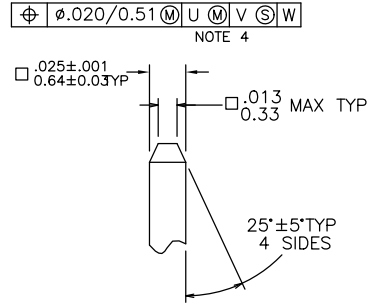
PRODUCT NUMBER

XXXXX-YYY HTLF

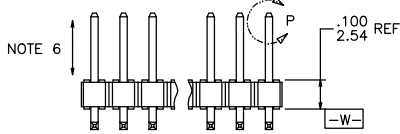
- LEAD FREE OPTION
SEE NOTE 1,8
- TUBE PACKAGING OPTION
SEE NOTE 1
- HIGH TEMPERATURE PLASTIC
SEE NOTE 1
- NO OF POSITIONS
SEE NOTE 1
- PIN PLATING
SEE SHEET 2
- BASE PART NO.



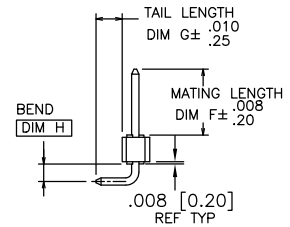
TOP VIEW



DETAIL P
TYP BOTH ENDS



SIDE VIEW



END VIEW

68015-X XX-XXX XXX LF

- TAIL LENGTH (EXAMPLE BELOW)
3.0mm=030 12.8mm=128 (SEE NOTE 11 & 12)
- MATING LENGTH (EXAMPLE BELOW)
5.0mm=050 25.5mm=255 (SEE NOTE 11 & 12)
- TOTAL NUMBER OF POSITION
FROM 1 THRU 36 POS. (SEE NOTE 1)
- PIN PLATING (SEE NOTE 13)
1=0.76µm Au
4= PURE TIN
8=0.36µm Au
- BASE PART NO.
SINGLE ROW RIGHT ANGLE

Copyright FCJ

rev	ecn no	dr	date
CR	M06-0346	MHT	9/04/06
CS	M08-0154	MHT	5/27/08
CT	M08-0169	MHT	6/16/08
CU	M08-0267	MHT	9/25/08
CV	M08-0331	MHT	12/01/08
AY	M09-0105	MHT	7/10/09
BA	N11-0118	JZ	2011-04-11

www.fciconnect.com		surface 6.4 ISO 1302	tolerance std ISO 406 ISO 1101	projection A4	INCH/MM
Dir T.BREVBAKER 01/31/95		ANGULAR	0.X ±0.3	size A4	Scale 1.000
Eng T.HANNA 01/31/95		LINEAR	0.XX ±0.15	ECN N11-0118	
Chr T.HANNA 01/31/95		0° ±2°	0.XXX ±0.05	Spec ref	
Appr T.HANNA 01/31/95		Product family BERGSTIK			
FCJ		title BERGSTIK® II HEADER	2	68015	Rev. BA
catalog no		.100/2.54cc SR R/A	0	CUSTOMER	sheet 1 of 4

REV 7 - 2004-07

FDM: Rev:BA

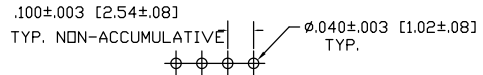
STATUS Released 4 Printed: Apr 19, 2011

PIN PLATING CODES:	
XXXX-1YY	30u"/0.76u MIN (SEE NOTE 9) OVER 50u"/1.27u MIN Ni
XXXX-2YY	15u"/0.38u MIN (SEE NOTE 9) OVER 50u"/1.27u MIN Ni
XXXX-3YY	50u"/1.27u MIN (SEE NOTE 9) OVER 50u"/1.27u MIN Ni
XXXX-4YY	100u"/2.54u MIN Sn OVER 50u"/1.27u MIN Ni (SEE NOTE 10)
XXXX-4YYHLF	
XXXX-5YY	15u"/0.38u MIN (SEE NOTE 9) OVER 50u"/1.27u MIN Ni
XXXX-6YY	30u"/0.76u MIN (SEE NOTE 9) OVER 50u"/1.27u MIN Ni
XXXX-7YY	30u"/0.76u MIN (SEE NOTE 9) OVER 50u"/1.27u MIN Ni
XXXX-8YY	15u"/0.38u MIN (SEE NOTE 9) OVER 50u"/1.27u MIN Ni
XXXX-9YY	15u"/0.38u MIN (SEE NOTE 9) OVER 50u"/1.27u MIN Ni
XXXX-0YY	30u"/0.76u MIN (SEE NOTE 9) OVER 50u"/1.27u MIN Ni

7. MILITARY BERGSTIK HEADER
P/N XXXXX-YYY-MIL
NOT AVAILABLE.
- ⑧ THESE PRODUCTS MEETS EUROPEAN UNION DIRECTIVES AND OTHER COUNTRY REGULATION AS DESCRIBED IN GS-22-008.
- ⑨ PLATING OPTIONS:
PERFORMANCE PLATING WILL BE EITHER GOLD OR GXT ON POST OR TAIL, OPTIONALLY (78~295u"/2~7.5u) TIN ON TAIL.
- ⑩ "THIS PRODUCT HAS 100%% TIN PLATING IN THE INTERFACE AND HAS NOT BEEN TESTED FOR WHISKER GROWTH IN ALL INTERCONNECT ENVIRONMENTS."
- ⑪ THE OAL DON'T EXCEED 31mm
OAL= MATTING DIM+4.0mm<31mm WHERE THE SUM OF TAIL AND MATTING LENGTH DON'T EXCEED 27mm
- ⑫ INCREMENTS BY 0.1mm IN LENGTHS ONLY
- ⑬ FOR SPECIAL PACKAGING REQUEST PLEASE CONTACT PRODUCT MANAGER FOR AVAILABILITY
14. BEND DIMENSIONS AT 1.5mm ONLY
- ⑮ TO DETERMINE DIMENSIONS:
N=NUMBER OF POSITION PER ROW
EXAMPLE: 10 POS. N X .100/2.54

NOTES

- ① PART NUMBER OPTIONS:
PIN PLATING CODES (SEE ABOVE)
HIGH TEMP. MATERIAL:
PART NUMBERS WITH AND WITHOUT "H" WILL BE SUPPLIED WITH HIGH TEMPERATURE PLASTIC.
NUMBER OF POSITION:
ANY NUMBER OF POSITIONS FROM 1 THRU 36.
PACKAGING:
PACKAGED IN POLY BAGS.
EIGHT DIGIT PART NUMBERS FOLLOWED BY A "T" ARE PACKAGED IN TUBES. SEE SPECIFIC PART NUMBERS FOR AVAILABILITY.
LEAD FREE:
ADD "HLF" SUFFIX AT THE END OF PART NUMBER FOR LEAD FREE OPTION, NOT AVAILABLE FOR -5YY,-5YYH,-6YY & -6YYH.
- ② BODY MATERIAL:
MANUFACTURER'S OPTION OF NYLON OR PCT, GLASS FIBER REINFORCED, OR LCP MINERAL FILED FLAME RETARDENT PER UL-94V-0. COLOR: BLACK.
PART NUMBERS WITH AND WITHOUT "H" SUFFIX WILL WITHSTAND EXPOSURE TO 260°C PEAK TEMPERATURE FOR 20 SECONDS IN WAVE SOLDER, INFRA-RED OR VAPOR PHASE SOLDER PROCESS.
- ③ PIN MATERIAL: PHOS-BRONZE.
- ④ MEASURED WITH PART IN RESTRAINED CONDITION.
5. TWO SIDES OF PIN TIPS NOT PLATED. TYPICAL BOTH ENDS.
- ⑥ 2LBS/0.9KG MIN PIN RETENTION IN EITHER DIRECTION.



RECOMMENDED HOLE PATTERN

www.fciconnect.com		surface ISO 1302 ✓	tolerance std ISO 406 ISO 1101	projection ISO 1101	INCH/MM
		TOLERANCES UNLESS OTHERWISE SPECIFIED			
Dr	T.BREWBAKER	01/31/95	ANGULAR	LINEAR	0x ±0.3
Eng	T.HANNA	01/31/95	0° ±2°		±0.15
Chr	T.HANNA	01/31/95			±0.05
Appr	T.HANNA	01/31/95	Product family	BERGSTIK	ECN N11-0118
FCJ		BERGSTIK II HEADER		2	68015
catalog no		.100/2.54cc SR R/A		Rev. BA	
				CUSTOMER	sheet 2 of 4



Copyright FCJ.

PRODUCT NUMBER	1		2		3		4		LF OPTION
	DIM F	DIM F	DIM G	DIM G	DIM H	DIM H	PACKAGING		
	ENGLISH	METRIC	ENGLISH	METRIC	ENGLISH	METRIC			
68015-YYY	0.230	5.84	0.090	2.29	0.060	1.52	POLY BAGS/TUBES		NOTE 1,8
68016-YYY	0.230	5.84	0.120	3.05	0.060	1.52	POLY BAGS/TUBES		
68023-YYY	0.135	3.43	0.305	7.75	0.135	3.43	POLY BAGS		
68417-YYY	0.230	5.84	0.390	9.91	0.060	1.52	POLY BAGS		
68423-YYY	0.318	8.08	0.120	3.05	0.060	1.52	POLY BAGS/TUBES		
68458-YYY	0.318	8.08	0.110	2.79	0.060	1.52	POLY BAGS		
68461-YYY	0.400	10.16	0.320	8.13	0.260	6.60	POLY BAGS		
68468-YYY	0.230	5.84	0.195	4.95	0.160	4.06	POLY BAGS		
68488-YYY	0.230	5.84	0.180	4.57	0.060	1.52	POLY BAGS		
68494-YYY	0.400	10.16	0.110	2.79	0.060	1.52	POLY BAGS		
68498-YYY	0.230	5.84	0.220	5.59	0.160	4.06	POLY BAGS		
68626-YYY	0.230	5.84	0.295	7.49	0.060	1.52	POLY BAGS		
68627-YYY	0.120	3.05	0.185	4.70	0.150	3.81	POLY BAGS		
68628-YYY	0.230	5.84	0.590	14.99	0.060	1.52	POLY BAGS		
68641-YYY	0.230	5.84	0.490	12.45	0.060	1.52	POLY BAGS		
68660-YYY	0.110	2.79	0.230	5.84	0.135	3.43	POLY BAGS		
68694-YYY	0.600	15.24	0.120	3.05	0.060	1.52	POLY BAGS		
68757-YYY	0.350	8.89	0.220	5.59	0.100	2.54	POLY BAGS		
68758-YYY	0.275	6.99	0.120	3.05	0.060	1.52	POLY BAGS		
68764-YYY	0.100	2.54	0.120	3.05	0.060	1.52	POLY BAGS		
68782-YYY	0.318	8.08	0.180	4.57	0.060	1.52	POLY BAGS		
68798-YYY	0.110	2.79	0.230	5.84	0.160	4.06	POLY BAGS		
69189-YYY	0.310	7.87	0.250	6.35	0.060	1.52	POLY BAGS		
71270-YYY	0.600	15.24	0.189	4.80	0.060	1.52	POLY BAGS		
72342-YYY	0.120	3.05	0.250	6.35	0.060	1.52	POLY BAGS		
78230-YYY	0.310	7.87	0.330	8.38	0.060	1.52	POLY BAGS		
78231-YYY	0.310	7.87	0.290	7.37	0.060	1.52	POLY BAGS		NOTE 1,8



Copyright FCI.

www.fciconnect.com		surface ISO 1302 ✓	tolerance std ISO 406 ISO 1101	projection ASME Y14.5	INCH/MM
		TOLERANCES UNLESS OTHERWISE SPECIFIED			
Dr	T.BREWBAKER	01/31/95	ANGULAR	LINEAR	0x ±0.3
Eng	T.HANNA	01/31/95			0xx ±0.15
Chr	T.HANNA	01/31/95	0° ±2°		0xxx ±0.05
Appr	T.HANNA	01/31/95	Product family	BERGSTIK	Spec ref
FCI		title		68015	Rev. BA
catalog no		BERGSTIK® II HEADER .100/2.54cc SR R/A		CUSTOMER	sheet 3 of 4

FDM: Rev:BA STATUS Released 4 Printed: Apr 19, 2011

PRODUCT NUMBER	1		2		3		PACKAGING	LF OPTION
	DIM F	DIM F	DIM G	DIM G	DIM H	DIM H		
	ENGLISH	METRIC	ENGLISH	METRIC	ENGLISH	METRIC		
78234-XY	0.230	5.84	0.140	3.56	0.160	4.06	POLY BAGS	NOTE 1,8
78541-XY	0.318	8.08	0.080	2.03	0.060	1.52	POLY BAGS	
78587-XY			UNAVAILABLE					
78938-XY	0.120	3.05	0.120	3.05	0.060	1.52	POLY BAGS	
78955-XY	0.075	1.91	0.090	2.29	0.060	1.52	POLY BAGS	
78978-XY	0.120	3.05	0.318	8.08	0.135	3.43	POLY BAGS	
79409-XY			UNAVAILABLE					
84846-XYH	0.140	3.56	0.290	7.37	0.153	3.89	POLY BAGS	
84917-XYH	0.090	2.29	0.195	4.95	0.190	4.83	POLY BAGS	
84935-XYH	0.450	11.43	0.320	8.13	0.260	6.60	POLY BAGS	
84936-XYH	0.350	8.89	0.120	3.05	0.060	1.52	POLY BAGS	
87532-XYH	0.230	5.84	0.890	22.61	0.060	1.52	POLY BAGS	
88813-XY	0.230	5.84	0.085	2.16	0.060	1.52	POLY BAGS	
92050-XY	0.162	4.11	0.120	3.05	0.060	1.52	POLY BAGS	
92632-XY	0.100	2.54	0.318	8.08	0.060	1.52	POLY BAGS	
92909-XY	0.400	10.16	0.220	5.59	0.060	1.52	POLY BAGS	
94099-XY	0.157	3.99	0.090	2.29	0.060	1.52	POLY BAGS	
94529-XYH	0.120	3.05	0.295	7.49	0.135	3.43	POLY BAGS	
94671-XYH	0.090	2.29	0.085	2.16	0.180	4.57	POLY BAGS	
95653-XYH	0.330	8.38	0.310	7.87	0.160	4.06	POLY BAGS	
95666-XYH	0.230	5.84	0.145	3.68	0.060	1.52	POLY BAGS	NOTE 1,8
10089061-XY	0.125	3.18	0.318	8.08	0.135	3.43	POLY BAGS	



Copyright FCI.

www.fciconnect.com		surface ISO 1302 <input checked="" type="checkbox"/>	tolerance std ISO 406 ISO 1101	projection 	INCH/MM ← →
		TOLERANCES UNLESS OTHERWISE SPECIFIED			
Dr	T.BREWBAKER	01/31/95	ANGULAR	0X	±0.3
Eng	T.HANNA	01/31/95	LINEAR	0XX	±0.15
Chr	T.HANNA	01/31/95	0° ±2°	0XXX	±0.05
Appr	T.HANNA	01/31/95	Product family	BERGSTIK	Spec ref
	title	BERGSTIK® II HEADER .100/2.54cc SR R/A		2	68015
	catalog no			CUSTOMER	sheet 4 of 4