

4

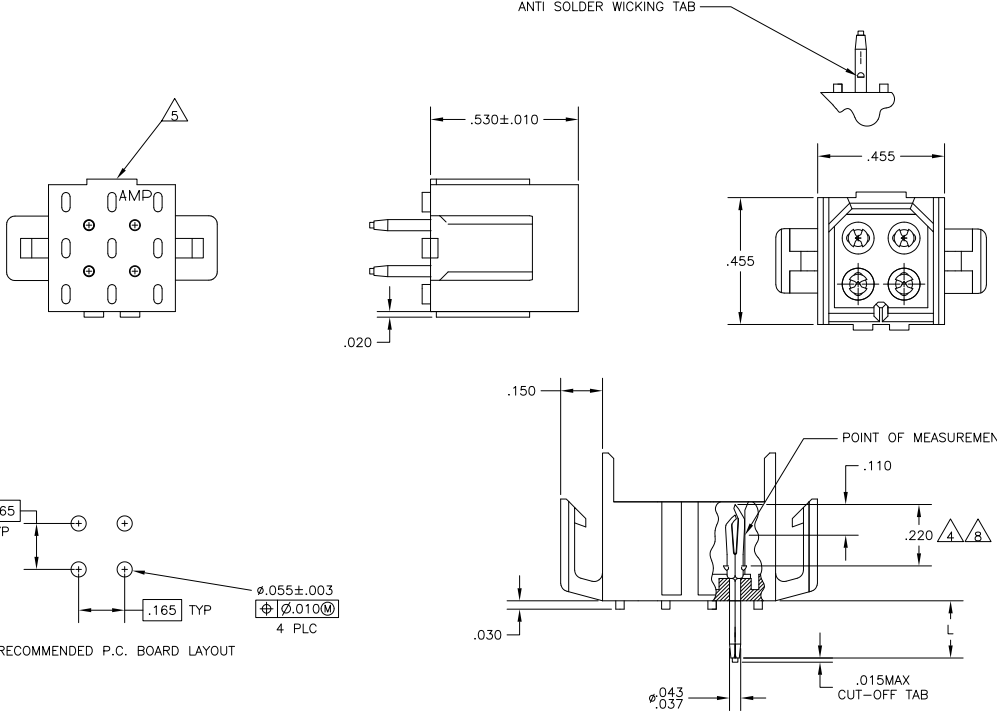
3

2

1

THIS DRAWING IS UNPUBLISHED. RELEASED FOR PUBLICATION. ALL RIGHTS RESERVED.

LOC	DIST	REVISIONS			
P	LTR	DESCRIPTION	DATE	BY	APPD
CM	0				
	P2	REVISED PER ECO-11-004917	11MAR11	RK	HMR



1. FITS SOCKET HOUSING 640519.
2. ASSEMBLY CONFORMS TO AMP SOLDERABILITY SPEC. 109-11-3.
3. FOR USE WITH .063 THICK P.C. BOARD.
4. CONTACT IS PLATED OVERALL WITH .000050 NICKEL, THEN .000030 GOLD OVER CONTACT LENGTH INDICATED AND .000150 MATTE TIN-LEAD ON SOLDER TAIL END.
5. UL AND CSA LOGO LOCATED ON THIS SURFACE.
6. FOR USE WITH .120 THICK P.C. BOARD.
7. FOR USE WITH .093 THICK P.C. BOARD.
8. CONTACT IS PLATED OVERALL WITH .000050 NICKEL, THEN .000030 GOLD OVER CONTACT LENGTH INDICATED AND .000150 MATTE TIN-LEAD ON SOLDER TAIL END.
9. OBSOLETE PARTS: OBSOLETE CIS STREAMLINING PER D.RENAUD/D.SINISI

IN	MM	IN	MM	IN	MM	IN	MM
.010	0.25	.055	1.40	.210	5.33	-	-
.008	0.20	.043	1.09	.180	4.57	-	-
.005	0.13	.037	0.94	.165	4.19	-	-
.003	0.08	.030	0.76	.150	3.81	.530	13.46
.000050	0.00127	.020	0.51	.110	2.79	.455	11.56
.000030	0.00076	.015	0.38	.063	1.60	.220	5.59
IN	MM	IN	MM	IN	MM	IN	MM



OBsolete	.180	BRICK RED	GOLD	2-640499-6
	.210	BRICK RED	GOLD	2-640499-4
	.150	BRICK RED	GOLD	2-640499-2
OBsolete	.180	BRICK RED	GOLD	640499-6
	.210	BRICK RED	GOLD	640499-4
	.210	BRICK RED	PRE-TIN	640499-3
	.150	BRICK RED	GOLD	640499-2
	.150	BRICK RED	PRE-TIN	640499-1
	L <sup>+</sup> +.010 -.020	HOUSING COLOR	PIN FINISH	PART NUMBER

THIS DRAWING IS A CONTROLLED DOCUMENT.

DESIGNED BY: J. HUFFMAN 27AF098  
 CHECKED BY: J. SWING 27AF098  
 DRAWN BY: T. BEEDICK 27AF098

DATE: 27AF098

APPLICATION SPEC: -  
 HEIGHT: -

MATERIAL: HOUSING: FLAME RETARDANT  
 SWITCH: UL 94V-0  
 PIN: 008 PH. BRZ.

FINISH: SEE TABLE

TE Connectivity  
 TE Connectivity  
 HEADER ASSEMBLY, PIN,  
 4 POSITION, MR.

SIZE: A2  
 CASE CODE: 00779  
 DRAWING NO: C-640499

RESTRICTED TO: -

CUSTOMER DRAWING  
 SCALE: 4:1  
 SHEET: 1 of 1  
 REV: P2