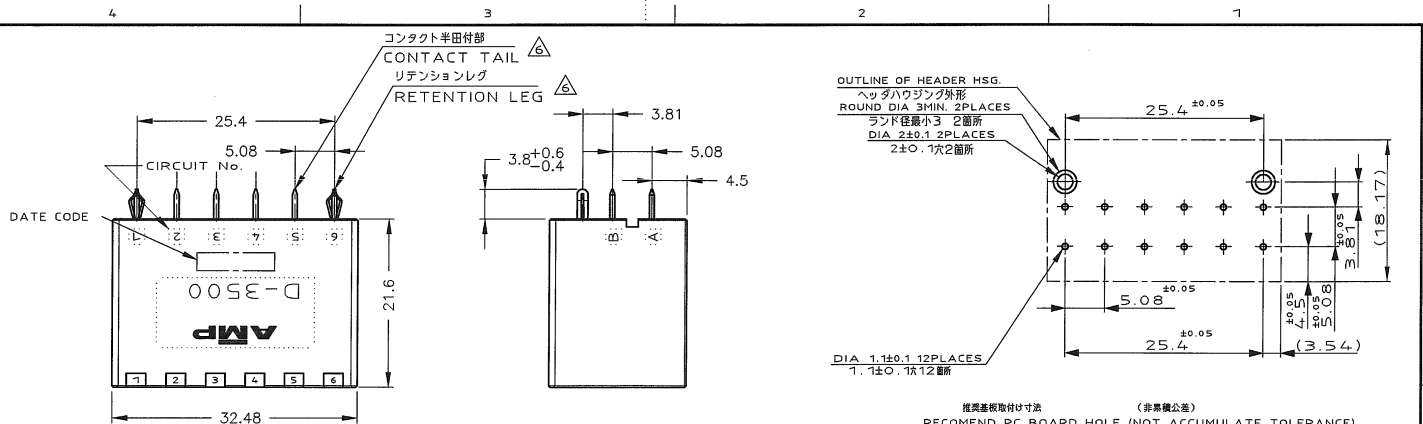


NUMBER 316516
METRIC

PROJ. NO. 95-423

ALL DIMENSIONS IN MM. DO NOT SCALE PRINT

PRINT DIST
AMP-J
REV.10/93



NOTES

- MATERIAL:HOUSING:GLASS FILED THERMO PLASTIC ,UL94V-0
CONTACT:COPPER ALLOY
RETENTION LEG:COPPER ALLOY
- FINISH(CONTACT AREA):0.38μmMIN GOLD PLATING OVER Ni PLATING
- FINISH(CONTACT AREA):0.76μmMIN GOLD PLATING OVER Ni PLATING
- FINISH(CONTACT AREA):2.0 μmMIN TIN PLATED OVER NICKEL
- FINISH(RETENTION LEG): TIN-LEAD PLATED-(CONTACT TAIL) OVER NICKEL
- FINISH(RETENTION LEG): TIN PLATED (CONTACT TAIL) OVER NICKEL

注 記

- 材料: ハウジング: ガラス入り熱可塑性樹脂 ,UL94V-0
コンタクト: 銅合金
リテンションレグ: 銅合金
- めっき: コンタクト接触部: ニッケル下地の上に金めっき0.38μmMIN
- めっき: コンタクト接触部: ニッケル下地の上に金めっき0.76μmMIN
- めっき: コンタクト: 全箇所N11地
接触部: 2.0 μm MINスズめっき
- めっき: リテンションレグとコンタクト半田付部
ニッケル下地の上に半田めっき
- めっき: リテンションレグとコンタクト半田付部
ニッケル下地の上にスズめっき

| | | |
|--------|----|-------------|
| △ | △ | -5 |
| △ | △ | -3 |
| FINISH | 仕様 | PART NUMBER |
| | | 316516-2 |

| | | | | | |
|--|------------------------|--|-----|---|-------------|
| Copyright ©1995 # AMP (Japan), LTD. ALL RIGHTS RESERVED. | | Copyright ©1995 AMP (Japan), LTD. ALL RIGHTS RESERVED. | | Tyco Electronics AMP K.K. Kawasaki, Japan | |
| DYNAMIC(D-3500) | | DYNAMIC(D-3500) | | DYNAMIC(D-3500) | |
| 12 POS. V HDR. ASS'Y | | 12 POS. V HDR. ASS'Y | | 12 POS. V HDR. ASS'Y | |
| REVISION RECORD | | REVISION RECORD | | REVISION RECORD | |
| B | REVISED (FJD0-0039-03) | T | S | M | 7/2 |
| A | REVISED (FJD0-0114-03) | T | S | M | 10/24/95 |
| O | RELEASED FJ00-3261-95 | N | M | Y. | 10/24/95 |
| LTR | 仕様 (REVISION RECORD) | DR | CHK | DATE | 24 OCT 95 |
| | | | | | Y. ISHIKAWA |
| | | | | | 24 OCT 95 |
| | | | | | S. MANABE |
| GENERAL TOLERANCE | | GENERAL TOLERANCE | | GENERAL TOLERANCE | |
| 100% | | 100% | | 100% | |
| ±0.35 | | ±0.35 | | ±0.35 | |
| ±0.4 | | ±0.4 | | ±0.4 | |
| ±0.45 | | ±0.45 | | ±0.45 | |
| ±3° | | ±3° | | ±3° | |
| A3 | | J | | REV. B | |
| 2/1 | | REV. B | | SHEET 1 OF 1 | |

(CUSTOMER DRAWING) 顧客用図面