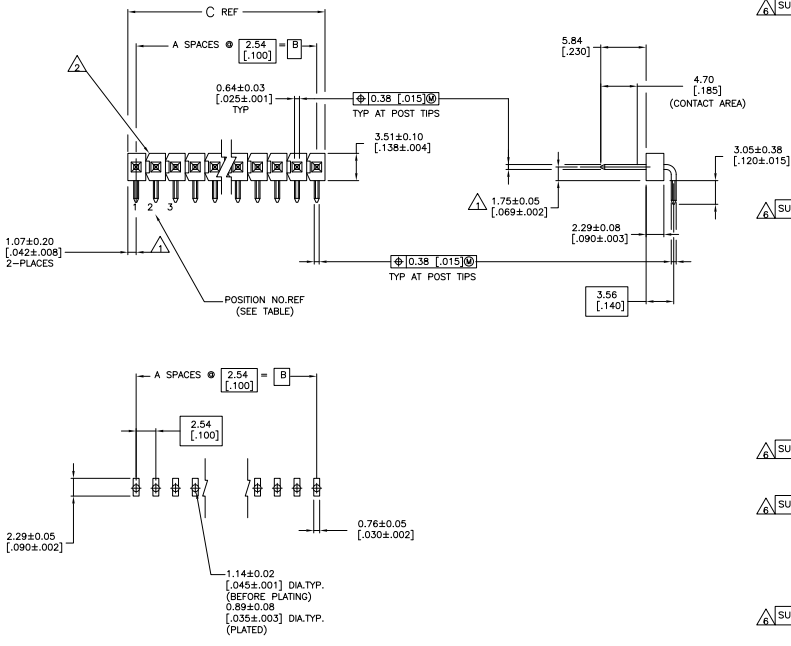


REV	DATE	DESCRIPTION	BY	CHK
AD	00			
B2		REVISED PER EDD-11-004820	11MM11	RK HMR

- △ THE NOTED DIMENSIONS APPLY AT THE INTERSECTION OF THE POST AND HOUSING.
- △ BREAKAWAY NOTCH ANGLE CAN BE ORIENTED TO THE RIGHT (AS SHOWN) OR TO THE LEFT
- △ 0.000762 [.000030] GOLD ON CONTACT AREA, 0.00254-0.00508 [.000100-.000200] MATTE, TIN-LEAD ON SOLDER TAIL, ALL OVER 0.00127 [.000050] NICKEL.
- △ HOUSING: GLASS FILLED THERMOPLASTIC, COLOR, BLACK, (WILL WITHSTAND VAPOR PHASE REFLOW.)
- △ 0.000762 [.000030] GOLD ON CONTACT AREA, 0.00254-0.00508 [.000100-.000200] MATTE TIN, ON SOLDER TAIL, ALL OVER 0.00127 [.000050] NICKEL.
- △ OBSOLETE PARTS: OBSOLETE CIS STREAMLINING PER D.RENAUD/D.SINISI



RECOMMENDED PC BOARD MOUNTING DIMENSIONS FOR .063 [.160] THICK PC BOARD AND .012 [.305] STENCIL THICK.

OBSOLETE

△ SUPERSEDED BY 8-146304-6

△ SUPERSEDED BY 7-146304-5

△ SUPERSEDED BY 6-146304-2

△ SUPERSEDED BY 5-146304-9

△ SUPERSEDED BY 5-146304-3

△ SUPERSEDED BY 5-146304-3

REV	DATE	DESCRIPTION	BY	CHK	PART NUMBER
101	18	99.05			4-146304-0
98.65	13.982	96.52			3-146304-9
96.11	93.28	37	36		3-146304-8
94.57	91.44	36	37		3-146304-7
93.04	89.60	36	36		3-146304-6
91.50	87.76	34	35		3-146304-5
89.96	85.92	33	34		3-146304-4
88.42	84.08	32	33		3-146304-3
86.88	82.24	31	32		3-146304-2
85.34	80.40	30	31		3-146304-1
83.80	78.56	29	30		3-146304-0
82.26	76.72	28	29		2-146304-9
80.72	74.88	27	28		2-146304-8
79.18	73.04	26	27		2-146304-7
77.64	71.20	25	26		2-146304-6
76.10	69.36	24	25		2-146304-5
74.56	67.52	23	24		2-146304-4
73.02	65.68	22	23		2-146304-3
71.48	63.84	21	22		2-146304-2
70.00	62.00	20	21		2-146304-1
68.52	60.16	19	20		2-146304-0
67.04	58.32	18	19		1-146304-9
65.56	56.48	17	18		1-146304-8
64.08	54.64	16	17		1-146304-7
62.60	52.80	15	16		1-146304-6
61.12	50.96	14	15		1-146304-5
59.64	49.12	13	14		1-146304-4
58.16	47.28	12	13		1-146304-3
56.68	45.44	11	12		1-146304-2
55.20	43.60	10	11		1-146304-1
53.72	41.76	9	10		1-146304-0
52.24	39.92	8	9		146304-9
50.76	38.08	7	8		146304-8
49.28	36.24	6	7		146304-7
47.80	34.40	5	6		146304-6
46.32	32.56	4	5		146304-5
44.84	30.72	3	4		146304-4
43.36	28.88	2	3		146304-3
41.88	27.04	1	2		146304-2
40.40	25.20	0	1		146304-1

PLATING	C	B	A	NO. OF POSITIONS	PART NUMBER
△ OBSOLETE					
△ SUPERSEDED BY 5-146304-9					
△ OBSOLETE					
△ OBSOLETE					
△ SUPERSEDED BY 5-146304-3					
△ OBSOLETE					
△ OBSOLETE					

THIS DRAWING IS A CONTROLLED DOCUMENT. DATE: 11/18/00

TE Connectivity

HEADER ASSEMBLY, MOD II, BREAKAWAY, HIGH TEMPERATURE, RIGHT ANGLE, SINGLE ROW, 100 PINS, W/020 SQUARE POSTS

SIZE: 100 PINS, W/020 SQUARE POSTS

DATE: 11/18/00

REVISED PER: EDD-11-004820

BY: 11MM11

CHK: RKH

APP: HMR

REV	DATE	BY	APP	DESCRIPTION
AD	00			SEE SHEET 1

REV	DATE	BY	APP	DESCRIPTION
39	40			9-146304-0
38	39			8-146304-9
37	38			8-146304-8
36	37			8-146304-7
35	36			8-146304-6
34	35			8-146304-5
33	34			8-146304-4
32	33			8-146304-3
31	32			8-146304-2
30	31			8-146304-1
29	30			8-146304-0
28	29			7-146304-9
27	28			7-146304-8
26	27			7-146304-7
25	26			7-146304-6
24	25			7-146304-5
23	24			7-146304-4
22	23			7-146304-3
21	22			7-146304-2
20	21			7-146304-1
19	20			7-146304-0
18	19			6-146304-9
17	18			6-146304-8
16	17			6-146304-7
15	16			6-146304-6
14	15			6-146304-5
13	14			6-146304-4
12	13			6-146304-3
11	12			6-146304-2
10	11			6-146304-1
9	10			6-146304-0
8	9			5-146304-9
7	8			5-146304-8
6	7			5-146304-7
5	6			5-146304-6
4	5			5-146304-5
3	4			5-146304-4
2	3			5-146304-3
1	2			5-146304-2
0	1			5-146304-1

PLATING	C	B	A	NO. OF POSITIONS	PART NUMBER

THIS DRAWING IS A CONTROLLED DOCUMENT. THE CUSTOMER'S PROPERTY.

UNLESS OTHERWISE SPECIFIED, DIMENSIONS ARE IN INCHES.

TE Connectivity

HEADER ASSEMBLY, MOD II, BREAKAWAY, HIGH TEMPERATURE, RIGHT ANGLE, SINGLE ROW, 100 PINS, W/020 SQUARE POSTS

DATE: 00779 (G) 146304

CUSTOMER DRAWING