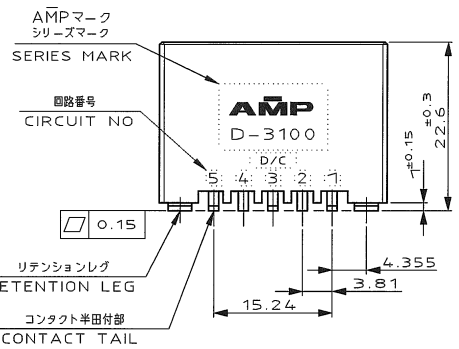
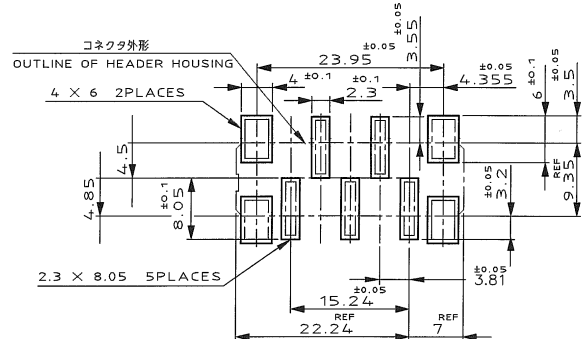
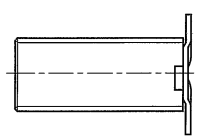
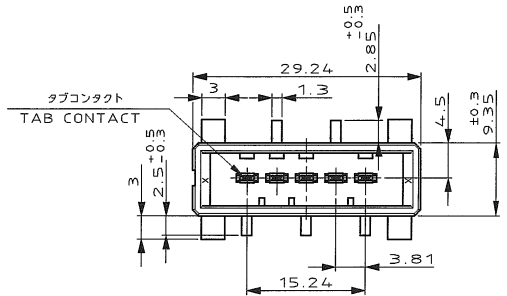


NUMBER 177665  
 3rd ANGLE PROJECTION  
 METRIC  
 PROJ. NO. 392-610  
 DIMENSIONS IN MILLIMETERS. DO NOT SCALE PRINT.  
 PRINT DIST.  
 AMP-J  
 REV.10/93



NOTES

- MATERIAL: HOUSING: GLASS FILLED THERMO PLASTIC, UL94V-0  
 CONTACT: COPPER ALLOY  
 RETENTION LEG: COPPER ALLOY
- FINISH (CONTACT AREA): 0.38 μm MIN GOLD PLATING OVER Ni PLATING
- FINISH (CONTACT AREA): 0.76 μm MIN GOLD PLATING OVER Ni PLATING
- FINISH (RETENTION LEG): TIN PLATED (SOLDER TYING) OVER NICKEL

注記

- 材料: ハウジング: ガラス入り熱可塑性樹脂, UL94V-0  
 コネクタ: 銅合金  
 リテンションレグ: 銅合金
- めっき: コネクタ接触部: ニッケル下地の上面に金めっき 0.38 μm MIN
- めっき: コネクタ接触部: ニッケル下地の上面に金めっき 0.76 μm MIN
- めっき: リテンションレグとコンタクト半田付部: ニッケル下地の上面にスズめっき

△	△	1-177665-3
△	△	1-177665-2
(FINISH)		製品番号 (PART NO.)

Copyright © 1993 AMP(Japan) LTD. ALL RIGHTS RESERVED.				Tyco Electronics AMP K.K. Kawasaki, Japan	
WIRE RANGE		INSULATION DIA		NAME	
mmTAWG		mmφ		5 POS SINGLE ROW SMT TYPE VERTICAL HDR ASS'Y FOR DYNAMIC 3100	
MATERIAL		FINISH		一般公差 (GENERAL TOLERANCES)	
SEE NOTE		SEE NOTE		100% ±0.2	
DR. 23 SEP 93 N. Matsubara		DE. 23 SEP 93 N. Matsubara		100% 30% ±0.2	
CHK. S. MANABE		APP. S. MANABE		30% 100% ±0.4	
LTR		REVISION RECORD		SCALE 2-1	
DR		CHK DATE		REV. A	
				SHEET 1 OF 1	

(CUSTOMER DRAWING) 顧客用図面