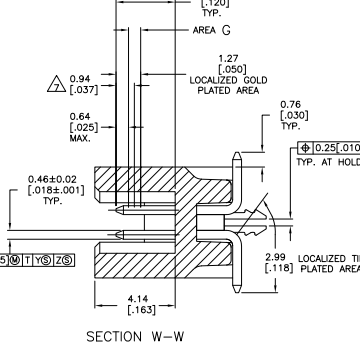
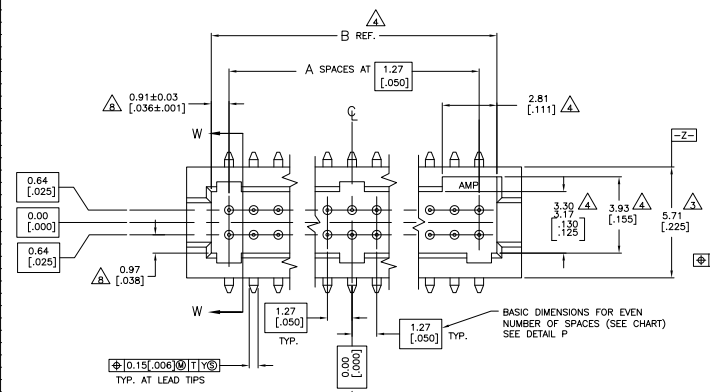
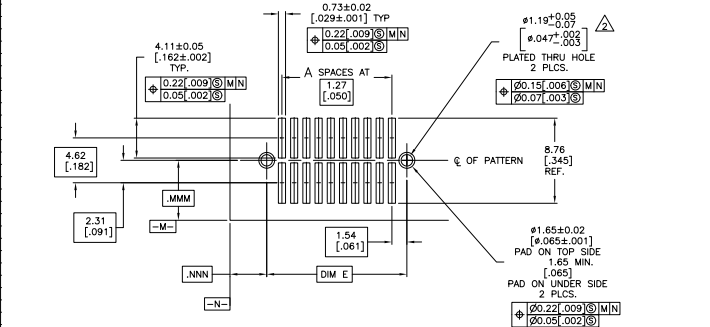
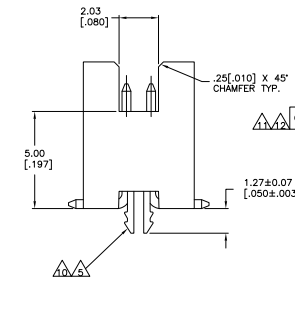
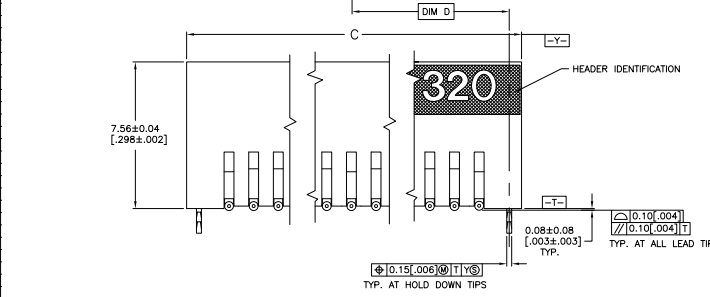


THIS DRAWING IS UNPUBLISHED
 ALL RIGHTS RESERVED

REV	DATE	DESCRIPTION	BY	CHK	APP
AD	00				
JS		REVISED PER EDD-11-04587	11MR11	RK	HMR



- △ 0.00076[0.00030] GOLD AT POINT OF MEASUREMENT, 0.00051[0.00020] MIN AT THE END POINTS OF AREA G, (LOCALIZED GOLD PLATE AREA), 0.0038[0.00150] TIN-LEAD ON LOCALIZED TIN PLATED AREA, ALL OVER 0.0013[0.00050] NICKEL.
- △ USE 1.32±0.02 [0.020±0.010] DRILLED HOLE (#55 DRILL), FINISH TO BE TIN PLATE OVER 0.02 [0.001] MIN COPPER.
- △ DIMENSION APPLIES AT BASE OF SHROUD.
- △ THE NOTED DIMENSIONS APPLY AT THE MATING FACE OF THE HOUSING.
- △ 0.0038 [0.00150] TIN-LEAD ON HOLD-DOWN ALL OVER 0.0013 [0.00050] NICKEL.
- 6. IF PLANNING TO USE MORE THAN ONE MATING PAIR OF CONNECTORS TO INTERCONNECT 2 BOARDS, PLEASE REFER TO SPACING PARAGRAPH IN APPLICATION SPEC, #114-7010
- △ POINT OF MEASUREMENT
- △ DIMENSIONS NOTED APPLY FROM THE BASIC DIMENSION LINE (NOT THE CIRCUIT CAVITY CENTER LINE) TO THE SURFACE INDICATED.
- △ 0.00076(0.00030) GOLD AT POINT OF MEASUREMENT, 0.00051(0.00020) MIN AT THE END POINTS OF AREA G, (LOCALIZED GOLD PLATE AREA), 0.0038(0.00150) TIN ON LOCALIZED TIN PLATED AREA, ALL OVER 0.0013(0.00050) NICKEL.
- △ 0.0038(0.00150) TIN ON HOLD-DOWN, ALL OVER 0.0013 (0.00050) NICKEL.
- △ ROHS 2002/95/EC COMPLIANT
- △ OBSOLETE PARTS: OBSOLETE CIS STREAMLINING PER D.RENAUD/D.SINISI



FINISH	E	D	C	B	A	NUMBER OF POSITIONS	PART NUMBER
△	△	△	△	△	△	65,33	6-104656-0
△	△	△	△	△	△	32,66	6-104656-9
△	△	△	△	△	△	66,59	5-104656-8
△	△	△	△	△	△	64,05	5-104656-7
△	△	△	△	△	△	49	5-104656-6
△	△	△	△	△	△	100	5-104656-5
△	△	△	△	△	△	44	5-104656-4
△	△	△	△	△	△	90	5-104656-3
△	△	△	△	△	△	39	5-104656-2
△	△	△	△	△	△	80	5-104656-1
△	△	△	△	△	△	46,28	1-104656-0
△	△	△	△	△	△	23,13	1-104656-9
△	△	△	△	△	△	47,54	1-104656-8
△	△	△	△	△	△	45,00	1-104656-7
△	△	△	△	△	△	34	1-104656-6
△	△	△	△	△	△	70	1-104656-5
△	△	△	△	△	△	60	1-104656-4
△	△	△	△	△	△	29	1-104656-3
△	△	△	△	△	△	60	1-104656-2
△	△	△	△	△	△	34	1-104656-1
△	△	△	△	△	△	24	1-104656-0
△	△	△	△	△	△	50	1-104656-9
△	△	△	△	△	△	24	1-104656-8
△	△	△	△	△	△	50	1-104656-7
△	△	△	△	△	△	24	1-104656-6
△	△	△	△	△	△	50	1-104656-5
△	△	△	△	△	△	24	1-104656-4
△	△	△	△	△	△	50	1-104656-3
△	△	△	△	△	△	24	1-104656-2
△	△	△	△	△	△	50	1-104656-1
△	△	△	△	△	△	24	1-104656-0

THIS DRAWING IS A CONTROLLED DOCUMENT. DATE HELD: 07/07/17

TE Connectivity
 HEADER ASSEMBLY SURFACE MOUNT, AMPMODU 50/50 GRID (6152-300) MATED HEIGHT

114-7010
 00779 G=104656