

4

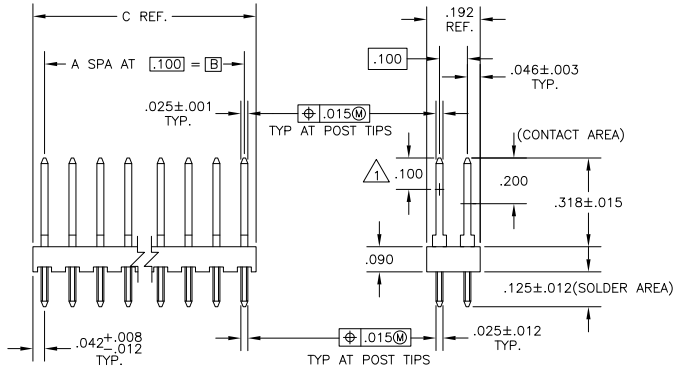
3

2

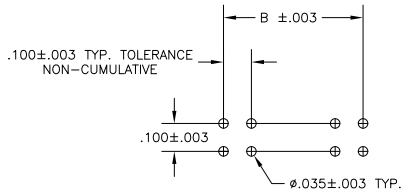
1

THIS DRAWING IS UNPUBLISHED. RELEASED FOR PUBLICATION
 © COPYRIGHT - By - ALL RIGHTS RESERVED.

LOC	DIST	REVISIONS		
P	LTR	DESCRIPTION	DATE	BY
J2		REVISED PER ECO-11-004587	11MAR11	RK HMR



- 1 POINT OF MEASUREMENT FOR PLATING THICKNESS
- 2 THE TRUE POSITION TOLERANCE OF THE POST TIPS APPLIES WHEN THE HEADERS HELD FLAT AGAINST THE PRINTED CIRCUIT BOARD
- 3 OBSOLETE PARTS: OBSOLETE CIS STREAMLINING PER D.RENAUD/D.SINISI



RECOMMENDED HOLE LAYOUT

	3.984	3.900	39	80	4-87215-0
	3.884	3.800	38	78	3-8
	3.784	3.700	37	76	3-8
	3.684	3.600	36	74	3-7
	3.584	3.500	35	72	3-6
	3.484	3.400	34	70	3-5
	3.384	3.300	33	68	3-4
	3.284	3.200	32	66	3-3
	3.184	3.100	31	64	3-2
	3.084	3.000	30	62	3-1
	2.984	2.900	29	60	3-0
	2.884	2.800	28	58	2-9
	2.784	2.700	27	56	2-8
	2.684	2.600	26	54	2-7
	2.584	2.500	25	52	2-6
	2.484	2.400	24	50	2-5
	2.384	2.300	23	48	2-4
	2.284	2.200	22	46	2-3
	2.184	2.100	21	44	2-2
	2.081	2.000	20	42	2-1
	1.984	1.900	19	40	2-0
	1.884	1.800	18	38	1-9
	1.784	1.700	17	36	1-8
	1.684	1.600	16	34	1-7
	1.584	1.500	15	32	1-6
	1.484	1.400	14	30	1-5
	1.384	1.300	13	28	1-4
	1.084	1.000	10	22	1-3
	.284	.200	2	6	1-2
	.184	.100	1	4	1-1
	.084			2	1-0
	1.284	1.200	12	26	-9
	1.184	1.100	11	24	-8
	.984	.900	9	20	-7
	.884	.800	8	18	-6
	.784	.700	7	16	-5
	.684	.600	6	14	-4
	.584	.500	5	12	-3
	.484	.400	4	10	-2
	.384	.300	3	8	87215-1
C	B	A	NO OF POS	ASSEMBLY PART NUMBER	

THIS DRAWING IS A CONTROLLED DOCUMENT. **TE** TE Connectivity

DIMENSIONS: INCHES	TOLERANCES UNLESS OTHERWISE SPECIFIED:	DATE: 3-15-05	BY: L. MAYER
		DATE: 5-21-05	CHK: T. ZOLA
		DATE: 5-21-05	APP: R. ELICKER
			PRODUCT SPEC:
			APPLICATION SPEC:
			SIZE: A2
			CAGE CODE: 87215
			RESTRICTED TO:
MATERIAL: HOUSING-FLAME RETARDANT; COLOR-BRONZE; FINISH-PLATE; POSTS-PLAS BRONZE	FINISH: POSTS-000000 GOLD ON PURE COPPER; 000000 GOLD; ALL OTHER 000000 NICKEL	RIGHT: CUSTOMER DRAWING	SCALE: SHEET 1 of 1 REV J2

87215

A