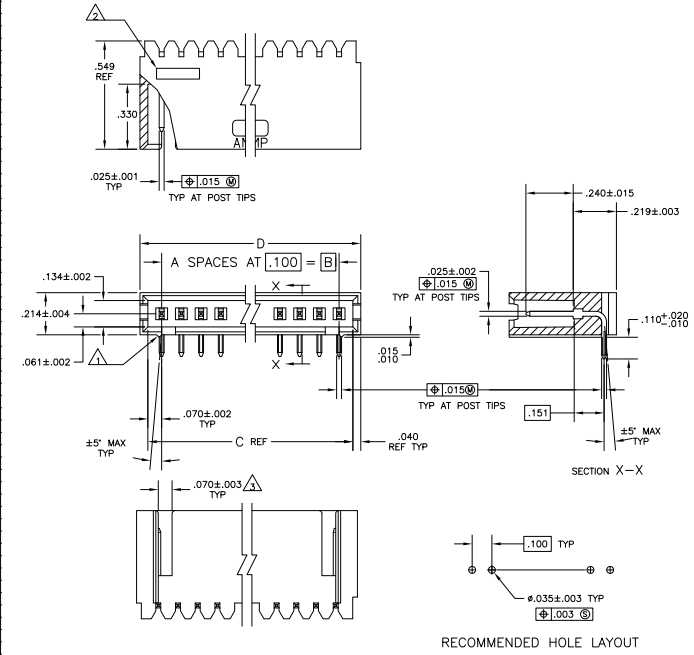


THIS DRAWING IS UNPUBLISHED
 ALL RIGHTS RESERVED

REV	DATE	DESCRIPTION	BY	CHK	APP
AD	00				
R2		REVISED PER EDD-11-004587			11MR11 RJK HMR



- STANDOFFS:**
 3 THRU 9 POSN - (2 REQD) ON OUTSIDE ENDS OF HOUSING
 10 THRU 18 POSN - (3 REQD) TWO ON OUTSIDE ENDS AND ONE CENTERED ON HOUSING
 19 POSN AND LARGER - (4 REQD) TWO ON OUTSIDE ENDS AND TWO EVENLY SPACED WITHIN REMAINING LENGTH OF HOUSING
- RECESSED DATE CODE**
- FOR 3 POSITION ONLY, ONE SLOT .215 WIDE.
- .000100-.000200 BRIGHT TIN-LEAD OVER .000050 NICKEL.
- .000100-.000200 BRIGHT TIN OVER .000050 NICKEL.
- PRELIMINARY PART
- .000100-.000200 MATTE TIN OVER .000050 NICKEL.
- MATERIAL:**
 HOUSING: FLAME RETARDANT THERMOPLASTIC, COLOR: BLACK
 POSTS: PHOS BRONZE
- OBsolete PARTS: OBsolete CIS STREAMLINING PER D.RENAUD/D.SINISI

REV	DATE	DESCRIPTION	BY	CHK	APP		
AD	00						
R2		REVISED PER EDD-11-004587			11MR11 RJK HMR		
OBsolete		2.620.2.540.2.400	24	25	7-102523-3		
OBsolete		2.520.2.440.2.300	23	24	7-102523-2		
OBsolete		2.420.2.340.2.200	22	23	7-102523-1		
OBsolete		2.220.2.140.2.000	20	21	7-102523-0		
OBsolete		2.120.2.040.1.900	19	20	6-102523-6		
OBsolete		2.020.1.940.1.800	18	19	6-102523-7		
OBsolete		1.920.1.840.1.700	17	18	6-102523-8		
OBsolete		1.820.1.740.1.600	16	17	6-102523-5		
OBsolete		1.720.1.640.1.500	15	16	6-102523-4		
OBsolete		1.620.1.540.1.400	14	15	6-102523-3		
OBsolete		1.520.1.440.1.300	13	14	6-102523-2		
OBsolete		1.420.1.340.1.200	12	13	6-102523-1		
OBsolete		1.320.1.240.1.100	11	12	6-102523-0		
OBsolete		1.220.1.140.1.000	10	11	6-102523-9		
OBsolete		1.120.1.040.900	9	10	5-102523-8		
OBsolete		.920.840.700	7	8	5-102523-7		
OBsolete		.820.740.600	6	7	5-102523-6		
OBsolete		.720.640.500	5	6	5-102523-5		
OBsolete		.620.540.400	4	5	5-102523-4		
OBsolete		.420.340.200	2	3	5-102523-2		
OBsolete		.520.440.300	3	4	5-102523-1		
OBsolete		1.120.1.040.900	9	10	3-102523-7		
OBsolete		.920.840.700	7	8	3-102523-6		
OBsolete		.520.440.300	3	4	3-102523-5		
OBsolete		3.720.3.640.3.500	35	36	3-102523-4		
OBsolete		3.620.3.540.3.400	34	35	3-102523-3		
OBsolete		3.520.3.440.3.300	33	34	3-102523-2		
OBsolete		3.420.3.340.3.200	32	33	3-102523-1		
OBsolete		3.320.3.240.3.100	31	32	3-102523-0		
OBsolete		3.220.3.140.3.000	30	31	2-102523-9		
OBsolete		3.120.3.040.2.900	29	30	2-102523-8		
OBsolete		3.020.2.940.2.800	28	29	2-102523-7		
OBsolete		2.920.2.840.2.700	27	28	2-102523-6		
OBsolete		2.820.2.740.2.600	26	27	2-102523-5		
OBsolete		2.720.2.640.2.500	25	26	2-102523-4		
OBsolete		2.620.2.540.2.400	24	25	2-102523-3		
OBsolete		2.520.2.440.2.300	23	24	2-102523-2		
OBsolete		2.420.2.340.2.200	22	23	2-102523-1		
OBsolete		2.320.2.240.2.100	21	22	2-102523-0		
OBsolete		2.220.2.140.2.000	20	21	1-102523-9		
OBsolete		2.120.2.040.1.900	19	20	1-102523-8		
OBsolete		2.020.1.940.1.800	18	19	1-102523-7		
OBsolete		1.920.1.840.1.700	17	18	1-102523-6		
OBsolete		1.820.1.740.1.600	16	17	1-102523-5		
OBsolete		1.720.1.640.1.500	15	16	1-102523-4		
OBsolete		1.620.1.540.1.400	14	15	1-102523-3		
OBsolete		1.520.1.440.1.300	13	14	1-102523-2		
OBsolete		1.420.1.340.1.200	12	13	1-102523-1		
OBsolete		1.320.1.240.1.100	11	12	1-102523-0		
OBsolete		1.220.1.140.1.000	10	11	1-102523-9		
OBsolete		1.120.1.040.900	9	10	102523-8		
OBsolete		1.020.940.800	8	9	1-102523-7		
OBsolete		.820.740.600	6	7	102523-6		
OBsolete		.720.640.500	5	6	102523-5		
OBsolete		.620.540.400	4	5	102523-4		
OBsolete		.420.340.200	2	3	102523-2		
OBsolete		.520.440.300	3	4	102523-1		
FINISH		D	C	B	A	NO. OF POSN	PART NO.

THIS DRAWING IS A CONTROLLED DOCUMENT. THE LENSEY GROUP

TE Connectivity

HEADWER ASSEMBLY MOD II, SINGLE ROW .100 C/L, RIGHT ANGLE

DATE: 10/07/99 DRAWING NO: A100779 C=102523

CUSTOMER DRAWING