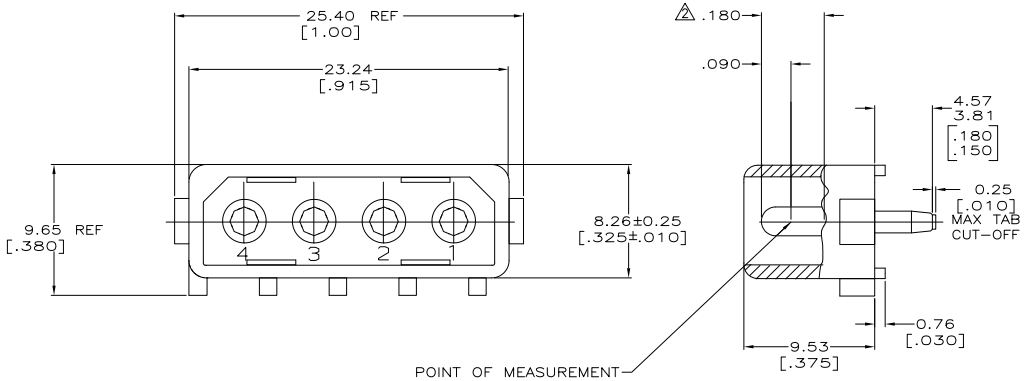
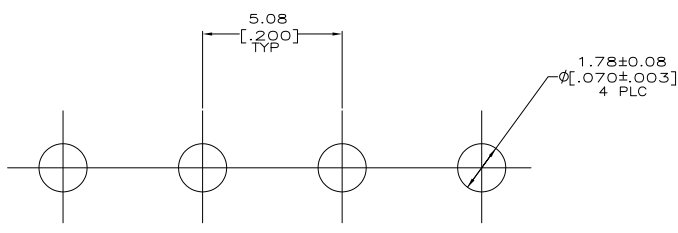


THIS DRAWING IS UNPUBLISHED. RELEASED FOR PUBLICATION. ALL RIGHTS RESERVED.

LOC	DIST	REVISIONS		
F	LNK	DESCRIPTION	DATE	BY
U2		REVISED PER ECO-11-004587	11MAR11	RK HMR



- PARTS MUST COMPLY WITH AMP SOLDERABILITY SPECIFICATION 109-11-3.
- CONTACT IS PLATED OVERALL WITH 0.00127 [0.00050] NICKEL THEN 0.00076 [0.00030] GOLD OVER CONTACT LENGTH INDICATED AND MATTE TIN ON SOLDERTAIL END.
- DIMENSIONS IN BRACKETS ARE IN INCHES.



RECOMMENDED P.C. BOARD LAYOUT FOR 1.57 [.062] THICK P.C. BOARD SCALE 10:1

PHOS BRZ, TIN LEAD	NYLON,UL94V-2	350211-3
PHOS BRZ, PRE-TIN	NYLON,UL94V-2	350211-2
PIN CONTACT MATERIAL & FINISH	HOUSING MATERIAL & COLOR	PART NUMBER



DIMENSIONS		TOLERANCES UNLESS OTHERWISE SPECIFIED		MATERIAL		FINISH	
mm	[INCHES]	PLC	FINISH	SEE TABLE	SEE TABLE	SIZE	CAGE CODE
0 PLC	± .005	1 PLC	± .005	SEE TABLE	SEE TABLE	A2	00779
1 PLC	± .005	2 PLC	± .005	SEE TABLE	SEE TABLE	C	350211
2 PLC	± .005	3 PLC	± .005	SEE TABLE	SEE TABLE		
3 PLC	± .005	4 PLC	± .005	SEE TABLE	SEE TABLE		
4 PLC	± .005	ANGLES	± 0.30°	SEE TABLE	SEE TABLE		

TE Connectivity

HEADER ASSEMBLY, 4 CIRCUIT, COMMERCIAL MATE-N-LOK(TM)

SIZE: A2 CAGE CODE: 00779 DRAWING NO: C=350211

CUSTOMER DRAWING SCALE: 5:1 SHEET: 1 of 1 REV: U2