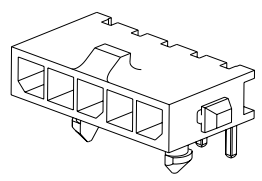
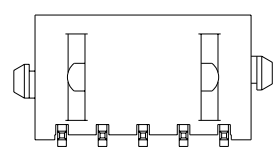
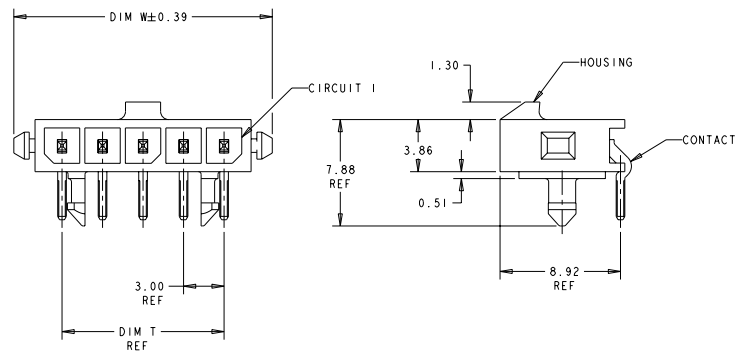


THIS DRAWING IS UNPUBLISHED. RELEASED FOR PUBLICATION
 COPYRIGHT 19 BY AMP INCORPORATED. ALL RIGHTS RESERVED.

REVOLUTIONS		DATE	BY	APP'D
F	REV	DESCRIPTION		
A		RELEASED PER 0038-0204-05	JMFRS	KW C.J.



- 1 MATERIAL: CONTACTS - BRASS
HOUSING - UL 94V-0 RATED HIGH TEMP NYLON, COLOR BLACK.
- 2 PLATING: CONTACTS - 2.54μm MINIMUM TIN-LEAD OVER 1.27μm MINIMUM NICKEL.
- 4 RECOMMENDED PC BOARD THICKNESS OF 1.57.
- 5 PLATING: CONTACTS - 2.54μm MINIMUM MATTE TIN OVER 1.27μm MINIMUM NICKEL.

FINISH	DIM Z	DIM V	DIM T	DIM W	NO. OF POSN	PART NUMBER
5	33.00	28.70	33.00	40.14	12	3-1445055-2
5	30.00	25.70	30.00	37.14	11	3-1445055-1
5	27.00	22.70	27.00	34.14	10	3-1445055-0
5	24.00	19.70	24.00	31.14	9	2-1445055-9
5	21.00	16.70	21.00	28.14	8	2-1445055-8
5	18.00	13.70	18.00	25.14	7	2-1445055-7
5	15.00	10.70	15.00	22.14	6	2-1445055-6
5	12.00	7.70	12.00	19.14	5	2-1445055-5
5	9.00	4.70	9.00	16.14	4	2-1445055-4
5	-	-	6.00	13.14	3	2-1445055-3
5	-	-	3.00	10.14	2	2-1445055-2
5	33.00	28.70	33.00	40.14	12	1-1445055-2
5	30.00	25.70	30.00	37.14	11	1-1445055-1
5	27.00	22.70	27.00	34.14	10	1-1445055-0
5	24.00	19.70	24.00	31.14	9	1445055-9
5	21.00	16.70	21.00	28.14	8	1445055-8
5	18.00	13.70	18.00	25.14	7	1445055-7
5	15.00	10.70	15.00	22.14	6	1445055-6
5	12.00	7.70	12.00	19.14	5	1445055-5
5	9.00	4.70	9.00	16.14	4	1445055-4
5	-	-	6.00	13.14	3	1445055-3
5	-	-	3.00	10.14	2	1445055-2



ALL DIMENSIONS IN MILLIMETERS UNLESS OTHERWISE SPECIFIED.
 DIMENSIONS UNLESS OTHERWISE SPECIFIED.

DIMENSIONS:	0 PLC	1 PLC	2 PLC	3 PLC	4 PLC	ANGLE	FINISH
	0	0	0	0	0		
	0	0	0	0	0		
	0	0	0	0	0		
	0	0	0	0	0		
	0	0	0	0	0		
	0	0	0	0	0		
	0	0	0	0	0		
	0	0	0	0	0		
	0	0	0	0	0		

AMP logo Tyco Electronics Harrisburg, PA 17105-3608

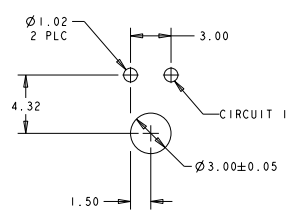
RIGHT ANGLE THRU HOLEHEADER ASSY, TIN CONTACTS W/PLASTIC HOLD-DOWNS, SINGLE ROW, MICRO MATE-N-LOK™

SIZE: A2 CASE CODE: 00779 DRAWING NO: ©1445055

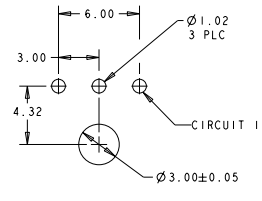
SCALE: 5:1 SHEET: 1 OF 2 REV: A

THIS DRAWING IS UNPUBLISHED. RELEASED FOR PUBLICATION .19
 COPYRIGHT 19 BY AMP INCORPORATED. ALL RIGHTS RESERVED.

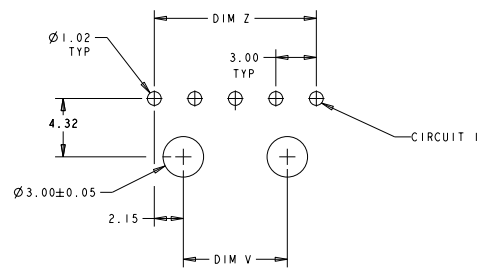
LOC		DIST		REVISIONS			
F	LN	DESCRIPTION	DATE	BY	APPD		
		SEE SHEET 1					



PCB LAYOUT FOR 2 POSITION COMPONENT SIDE



PCB LAYOUT FOR 3 POSITION COMPONENT SIDE



PCB LAYOUT FOR 4-12 POSITION COMPONENT SIDE



<small>SEE DRAWING FOR COMPLETE DIMENSIONS AND TOLERANCES ALL DIMENSIONS IN MILLIMETERS UNLESS OTHERWISE SPECIFIED DIMENSIONS UNLESS OTHERWISE SPECIFIED</small>		DWN I ROOT 060C12000 CM K WHITTAKER 13-MAR-2001 APD K WHITTAKER 13-MAR-2001	AMP Tyco Electronics Harrisburg, PA 17105-3608
DIMENSIONS: mm 0 PLC ±. 1 PLC ±. 2 PLC ±0.13 3 PLC ±. 4 PLC ±. ANGLES PER 10°	TOLERANCES UNLESS OTHERWISE SPECIFIED: 0 PLC ±. 1 PLC ±. 2 PLC ±0.13 3 PLC ±. 4 PLC ±. ANGLES PER 10°	PRODUCT SPEC APPLICATION SPEC WEIGHT CUSTOMER DRAWING	NAME RIGHT ANGLE THRU HOLE HEADER ASSY, TIN CONTACTS W/PLASTIC HOLDDOWNS, SINGLE ROW, MICRO MATE-N-LOK™ SIZE CASE CODE DRAWING NO A2 00779 ©-1445055 SCALE 5:1 SHEET 2 OF 2 REV A