

4

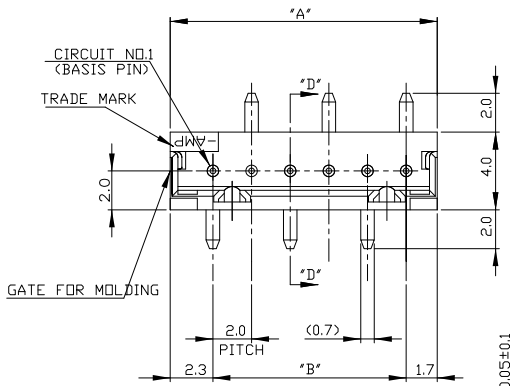
3

2

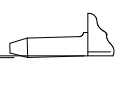
1

THIS DRAWING IS UNPUBLISHED. RELEASED FOR PUBLICATION
 © COPYRIGHT - By - ALL RIGHTS RESERVED.

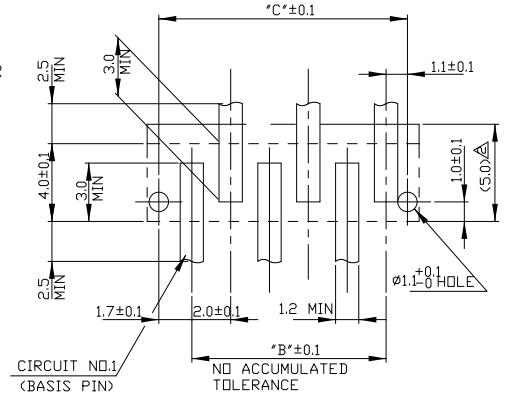
LOC	DIST	REVISIONS					
FB	00	P	LTR	DESCRIPTION	DATE	DWN	APVD
		A1		REVISED PER ECO-11-005033	26MAR11	RK	HMR



1. MATERIAL: HOUSING-6T PA G.F.30%(UL94V0)
 COLOR- BLACK OR NATURAL
 POST- TIN BRASS
2. OCCUPANT AREA ON PC BOARD
 (AFTER CONNECTOR MATING)
3. TO BE MEASURED WITH CONNECTOR PLCD ON
 HORIZONTAL DATUM SURFACE, FLOAT OF SOLDER
 TINE FROM DATUM SURFACE IS 0.1mm MAX.
4. TUBE P/N 8-720999-6
5. PRODUCT MUST COME OUT SMOOTHLY FROM
 TUBE AT INCLINING THE TUBE TO 45°

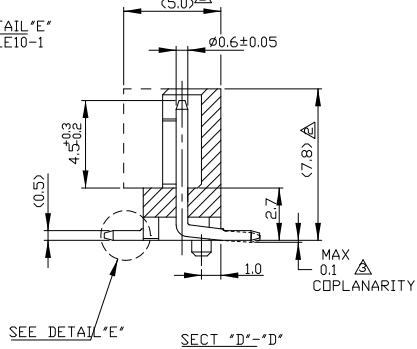
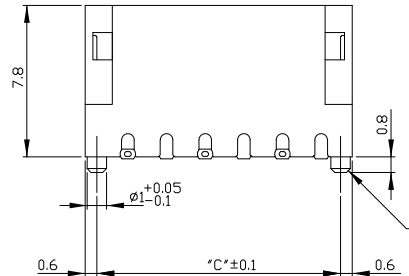


DETAIL "E"
 SCALE 10-1

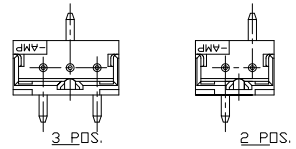


RECOMMENDED P.C.BOARD
 (P.C.B. THK-0.8mm MIN)

20	20.0	16.0	18.8	9	6-292171-9	292171-9
25	18.0	14.0	16.8	8	6-	-8
30	16.0	12.0	14.8	7	6-	-7
30	14.0	10.0	12.8	6	6-	-6
40	12.0	8.0	10.8	5	6-	-5
45	10.0	6.0	8.8	4	6-	-4
60	8.0	4.0	6.8	3	6-	-3
80	6.0	2.0	4.8	2	6-292171-2	292171-2
QTY'S/ TUBE	"A"	"B"	"C"	POS.	NATURAL BLACK	



SEE DETAIL "E" SECT "D"- "D"



TOLERANCES UNLESS OTHERWISE SPECIFIED:
 10 > * ±0.2
 30 > * > 10 ±0.25
 100 > * > 30 ±0.3
 ANGEL ±3°

THIS DRAWING IS A CONTROLLED DOCUMENT.

DIMENSIONS: mm	TOLERANCES UNLESS OTHERWISE SPECIFIED:	DWN J. JIANG 23JAN03	CHK S. YAO 23JAN03	APVD T. SASAKI 23JAN03	NAME
0 PLC ±	1 PLC ±	2 PLC ±	3 PLC ±	4 PLC ±	ANGLES ±
MATERIAL	FINISH	PRODUCT SPEC	APPLICATION SPEC	WEIGHT	SIZE CAGE CODE DRAWING NO RESTRICTED TO
		108-60016			A3 00779 C-292171
CUSTOMER DRAWING				SCALE 1:1	SHEET 1 OF 1 REV A1

TE Connectivity
 TUBE PACKING AMP CT CONN
 POST HDR ASS'Y (STD-V SMT)