

4

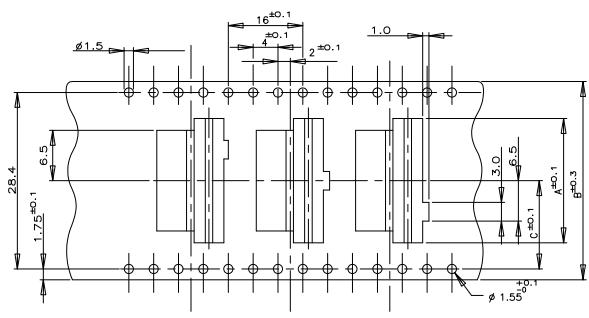
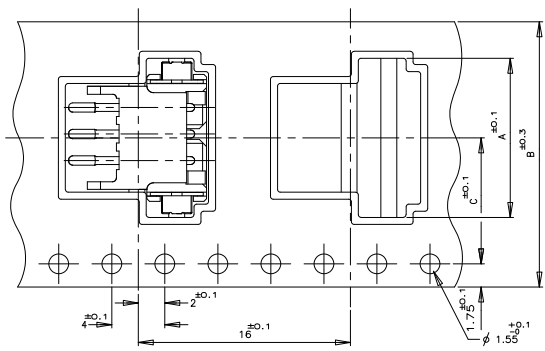
3

2

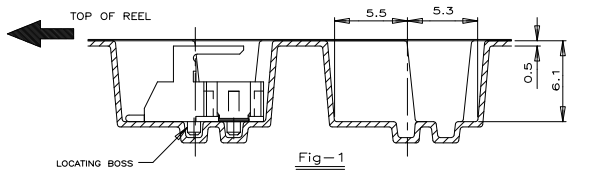
1

THIS DRAWING IS UNPUBLISHED. RELEASED FOR PUBLICATION
 © COPYRIGHT - By - ALL RIGHTS RESERVED.

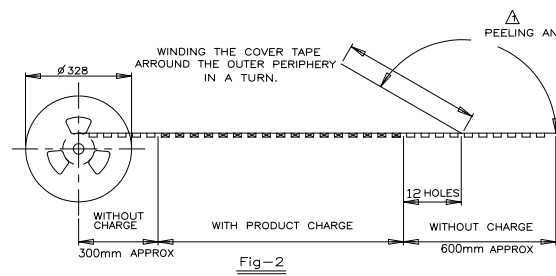
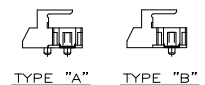
LOC	DIST	REVISIONS					
FB	00	P	LTR	DESCRIPTION	DATE	DWN	APVD
		C2		REVISED PER ECO-11-005033	24MAR11	RK	HMR



(AS SHOWN : 3P)



FOR 7P ONLY
 THREE KINDS OF DIFFERENT POCKETS AS 1 SET
 USED FOR 7P ONLY



NATURAL	WITH	B	20.2	44	24	500	9	1-292173-9
		B	20.2	44	22		8	1- -8
		B	14.2	32	20		7	1- -7
		B	14.2	32	18		6	1- -6
		B	11.5	24	16		5	1- -5
BLACK		B			14		4	1- -4
		A			12		3	1- -3
		A	11.5	24	10		2	1- -2
		B	20.2	44	24		9	0- -9
		B	20.2	44	22		8	0- -8
	B	14.2	32	20		7	0- -7	
	B	14.2	32	18		6	0- -6	
	B	11.5	24	16		5	0- -5	
	B				14		4	0- -4
	A				12		3	0- -3
	A	11.5	24	10	500	2	0-292173-2	
COLOR	PLATE	TYPE OF BOSS	C	B	A	QTY/ REEL	Pos	TAPING P/N

TOLERANCE UNLESS OTHERWISE SPECIFIED:

10>*	:±0.2
30>*>10	:±0.25
100>*>30	:±0.3
ANGLE	:±3'

NOTES:
 PEELING RESISTANCE : 0.196N-0.686N (20gf-70gf)
 SPEED : 300mm/min

THIS DRAWING IS A CONTROLLED DOCUMENT.		DWN	JACK HOU	21SEP10
DIMENSIONS: MM		CHK	MARTIN LI	21SEP10
TOLERANCES UNLESS OTHERWISE SPECIFIED:		APVD	STEVEN YAO	21SEP10
0 PLC ±		PRODUCT SPEC		
1 PLC ±		APPLICATION SPEC		
2 PLC ±		WEIGHT		
3 PLC ±				
4 PLC ±				
B.CC ANGLES ±				
MATERIAL	FINISH			

STE TE Connectivity

ON TAPING (EMBOSS)
 TE CT CONNECTOR POST HEADER ASS'Y
 (BOX-H SMT TYPE W/BOSS & TAIL)

SIZE: A3 CAGE CODE: 00779 DRAWING NO: C-292173 RESTRICTED TO: -

CUSTOMER DRAWING SCALE: 1:1 SHEET: 1 of 6 REV: C2

4

3

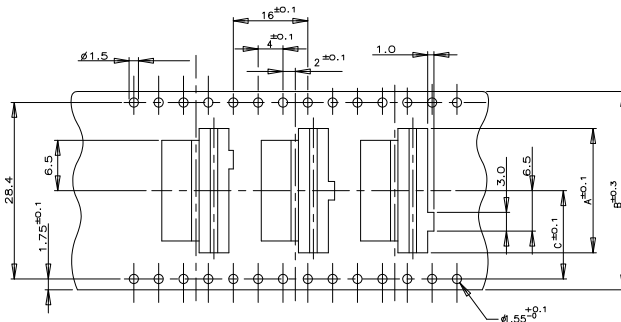
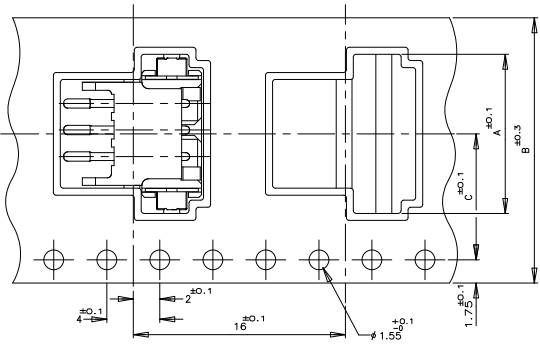
2

1

THIS DRAWING IS UNPUBLISHED. RELEASED FOR PUBLICATION
 © COPYRIGHT - By - ALL RIGHTS RESERVED.

LOC	DIST	REVISIONS					
FB	00	P	LTR	DESCRIPTION	DATE	DWN	APVD
		-	-	SEE SHEET 1	-	-	-

(AS SHOWN : 3P)



FOR 7P ONLY
 THREE KINDS OF DIFFERENT POCKETS AS 1 SET
 USED FOR 7P ONLY

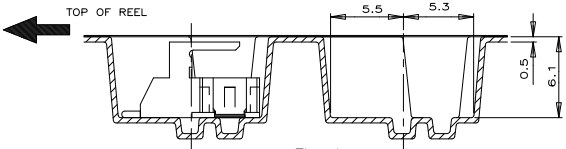


Fig-1

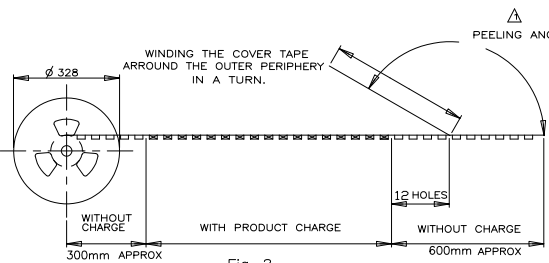


Fig-2

NATURAL	WITH	A	20.2	44	24	500	9	3-292173-9
		A	20.2	44	22		8	3- -8
		A	14.2	32	20		7	3- -7
		A	14.2	32	18		6	3- -6
		A	11.5	24	16		5	3- -5
BLACK		A			14		4	3- -4
		A			12		3	3- -3
		A	11.5	24	10		2	3- -2
		A	20.2	44	24		9	2- -9
		A	20.2	44	22		8	2- -8
	A	14.2	32	20		7	2- -7	
	A	14.2	32	18		6	2- -6	
	A	11.5	24	16		5	2- -5	
	A			14		4	2- -4	
	A			12		3	2- -3	
WITH	A	11.5	24	10	500	2	2-292173-2	

TOLERANCE UNLESS OTHERWISE SPECIFIED:

10>	±0.2
30>10	±0.25
100>30	±0.3
ANGLE	±3'

NOTES:
 PEELING RESISTANCE : 0.196N-0.686N (20gf-70gf)
 SPEED : 300mm/min

THIS DRAWING IS A CONTROLLED DOCUMENT.		DWN
DIMENSIONS:	TOLERANCES UNLESS OTHERWISE SPECIFIED:	CHK
MM		APVD
	0 PLC	PRODUCT SPEC
	1 PLC	APPLICATION SPEC
	2 PLC	WEIGHT
	3 PLC	
MATERIAL	FINISH	CUSTOMER DRAWING

TE Connectivity	
ON TAPING (EMBOSS) TE CT CONNECTOR POST HEADER ASS'Y (BOX-H SMT TYPE W/O BOSS & W/ TAIL)	
SIZE	RESTRICTED TO
A3	
CAGE CODE	DRAWING NO
00779	292173
SCALE	SHEET
1/1	2 of 6
REV	C2

4

3

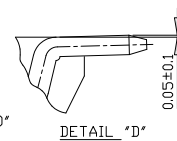
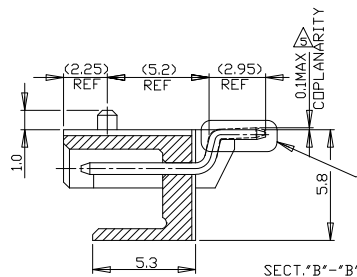
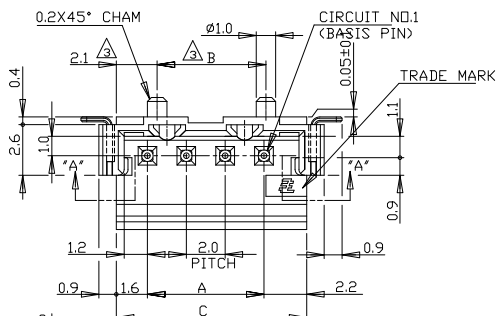
2

1

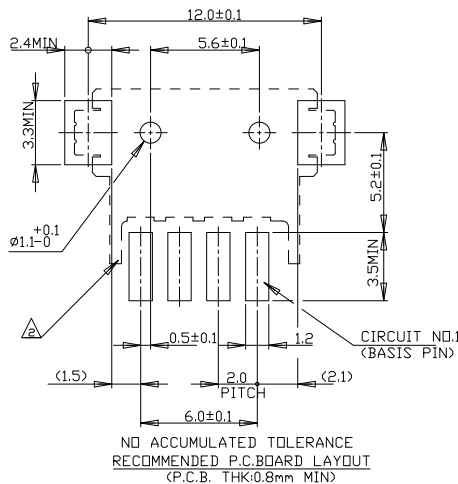
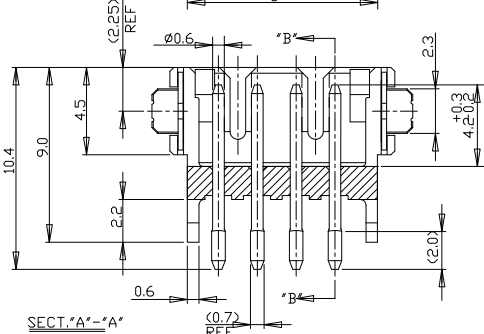
THIS DRAWING IS UNPUBLISHED. RELEASED FOR PUBLICATION
 © COPYRIGHT - By - ALL RIGHTS RESERVED.

LOC	DIST	REVISIONS					
ES	00	P	LTR	DESCRIPTION	DATE	DWN	APVD
		SEE SHEET 1					

(AS SHOWN : -4)

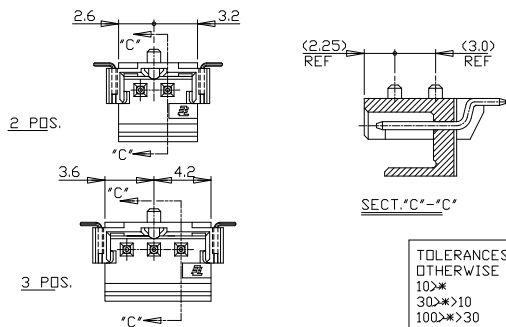


- NOTES:
 1. MATERIAL:HSG-6T PA(G.F.30%)XUL94V-0
 COLOR:BLACK NATURAL
 POST: TIN BRASS
 TAIL: TIN BRASS
- ▲ OCCUPANT AREA ON PC BOARD
 - ▲ 4P&8BOVE POS.
 - ▲ 2P&3P
- TO BE MEASURED WITH CONNECTOR PLACED ON HORIZONTAL DATUM SURFACE.FLOAT OF SOLDER TINE AND TAIL FROM DATUM SURFACE IS 0.1mm MAX



NO ACCUMULATED TOLERANCE
 RECOMMENDED P.C.BOARD LAYOUT
 (P.C.B. THK:0.8mm MIN)

16.0	15.6	19.8	22.0	9	1-292173-9	292173-9
14.0	13.6	17.8	20.0	8	1- -8	-8
12.0	11.6	15.8	18.0	7	1- -7	-7
10.0	9.6	13.8	16.0	6	1- -6	-6
8.0	7.6	11.8	14.0	5	1- -5	-5
6.0	5.6	9.8	12.0	4	1- -4	-4
4.0	3.6	7.8	10.0	3	1- -3	-3
2.0	1.6	5.8	8.0	2	1-292173-2	292173-2
A	B	C	D	Pos.	NATURAL	BLACK
P/N						



TOLERANCES UNLESS OTHERWISE SPECIFIED:
 10X : ±0.2
 30X>10 : ±0.25
 100X>30 : ±0.3
 ANGEL : ±3°

THIS DRAWING IS A CONTROLLED DOCUMENT.

DIMENSIONS: MM	TOLERANCES UNLESS OTHERWISE SPECIFIED:	DWN	CHK	APVD	NAME
0 PLC ±	1 PLC ±				
2 PLC ±	3 PLC ±				
4 PLC ±	ANGLES ±				
MATERIAL SEE NOTE	FINISH SEE NOTE				

PRODUCT SPEC: 108-60016
 APPLICATION SPEC: -
 WEIGHT: -
 SIZE: A3 CAGE CODE: 00779 DRAWING NO: 292173 RESTRICTED TO: -
 CUSTOMER DRAWING SCALE: 5:1 SHEET: 3 OF 6 REV: C2

STE TE Connectivity
 SMT TYPE POST HDR ASS'Y (H)
 WITH BOSS & TAIL TYPE
 (TE CT CONN. 2mm PITCH)

4

3

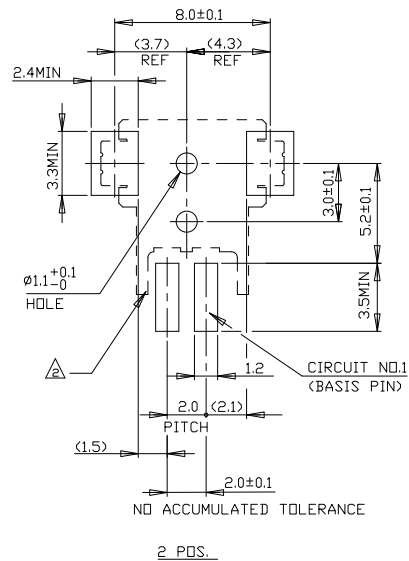
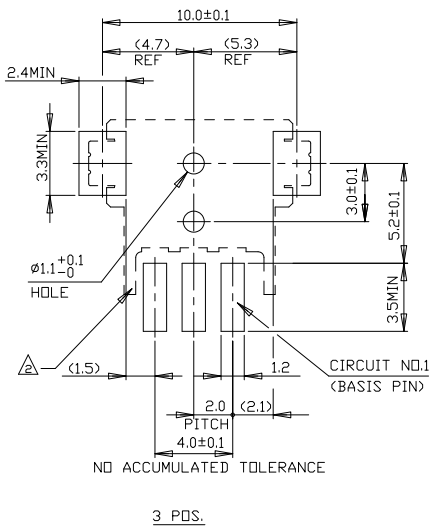
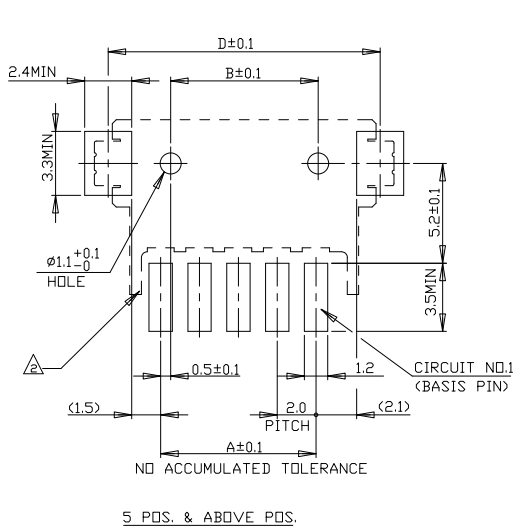
2

1

THIS DRAWING IS UNPUBLISHED. RELEASED FOR PUBLICATION
 © COPYRIGHT - By - ALL RIGHTS RESERVED.

LOC	DIST	REVISIONS					
ES	00	P	LTR	DESCRIPTION	DATE	DWN	APVD
		-		SEE SHEET 1	-	-	-

LAYOUT FOR 292173-X,1-292173-X



RECOMMENDED P.C. BOARD LAYOUT
 (P.C.B THK:0.8mm MIN)

THIS DRAWING IS A CONTROLLED DOCUMENT.		DWN	-	TE Connectivity SMT TYPE POST HDR ASS'Y (H) WITH BOSS & TAIL TYPE (TE CT CONN. 2mm PITCH)	RESTRICTED TO
DIMENSIONS: MM		CHK	-		
TOLERANCES UNLESS OTHERWISE SPECIFIED:		APVD	-		
0 PLC ± -		PRODUCT SPEC	-		
1 PLC ± -		APPLICATION SPEC	-		
2 PLC ± -		WEIGHT	-		
3 PLC ± -		SIZE	A3	CAGE CODE	00779
4 PLC ± -		DRAWING NO	C-292173		
ANGLES ± -		CUSTOMER DRAWING	SCALE	5:1	SHEET
MATERIAL FINISH				4	6
				REV	C2

4

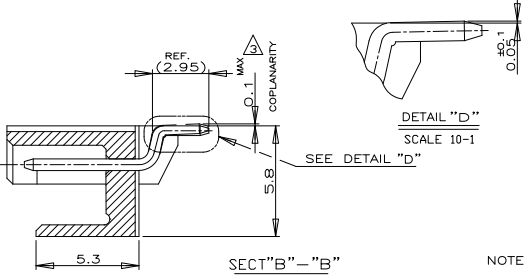
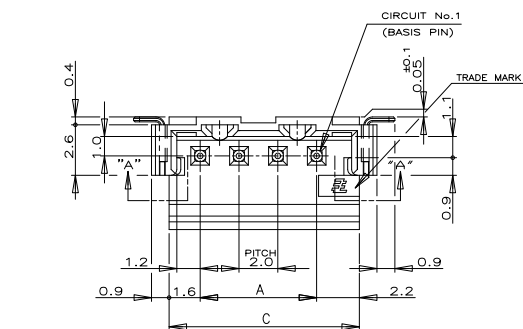
3

2

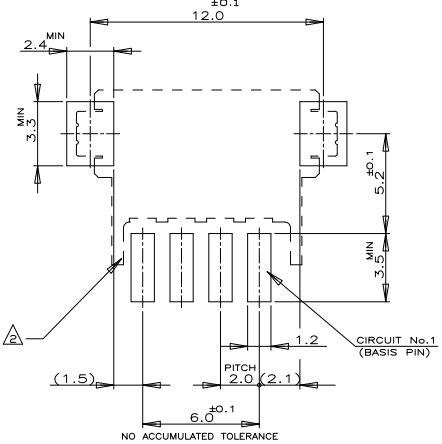
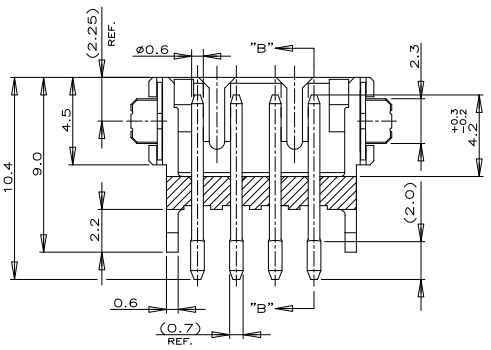
1

THIS DRAWING IS UNPUBLISHED. RELEASED FOR PUBLICATION. ALL RIGHTS RESERVED.

LOC	DIST	REVISIONS					
ES	00	P	LTR	DESCRIPTION	DATE	DWN	APVD
		-	-	SEE SHEET 1	-	-	-

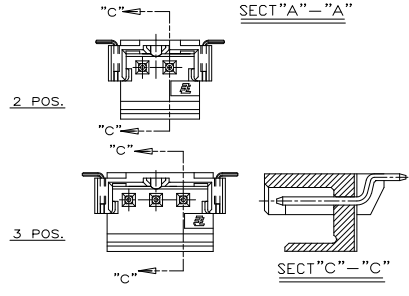


(AS SHOWN :4P)



NOTES:
 1. MATERIAL : HSG-6T PA(G.F.30%)(UL94V-0)
 COLOR:BLACK,NATURAL
 POST:TIN BRASS
 TAIL: TIN BRASS
 OCCUPANT AREA ON PC BOARD
 TO BE MEASURED WITH CONNECTOR PLACED
 ON HORIZONTAL DATUM SURFACE,FLOAT OF
 SOLDER TINE AND TAIL FROM DATUM
 SURFACE IS 0.1mm MAX

16.0	19.8	22.0	9	3-292173-9	2-292173-9
14.0	17.8	20.0	8	3- -8	2- -8
12.0	15.8	18.0	7	3- -7	2- -7
10.0	13.8	16.0	6	3- -6	2- -6
8.0	11.8	14.0	5	3- -5	2- -5
6.0	9.8	12.0	4	3- -4	2- -4
4.0	7.8	10.0	3	3- -3	2- -3
2.0	5.8	8.0	2	3-292173-2	2-292173-2
A	C	D	Pos.	NATURAL	BLACK
P/N					



TOLERANCES UNLESS OTHERWISE SPECIFIED:
 10 > * : ±0.2
 30 > * > 10 : ±0.25
 100 > * > 30 : ±0.3
 ANGEL : ±3°

THIS DRAWING IS A CONTROLLED DOCUMENT.

DIMENSIONS: MM	TOLERANCES UNLESS OTHERWISE SPECIFIED: 0 PLC ± 1 PLC ± 2 PLC ± 3 PLC ± 4 PLC ± ANGLES ±	DWN	CHK	APVD	NAME
MATERIAL: SEE NOTE	FINISH: SEE NOTE	PRODUCT SPEC: 108-60016		SMT TYPE POST HDR ASS'Y (BOX-H) W/O BOSS, WITH TAIL TYPE (TE CT CONN. 2mm PITCH)	
		SIZE: A3	CAGE CODE: 00779	DRAWING NO: C-292173	RESTRICTED TO
CUSTOMER DRAWING			SCALE: 5:1	SHEET: 5 OF 6	REV: C2

STE TE Connectivity

