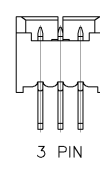
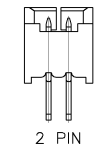
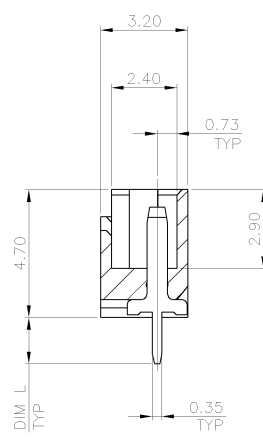
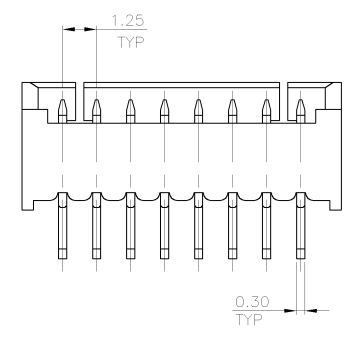
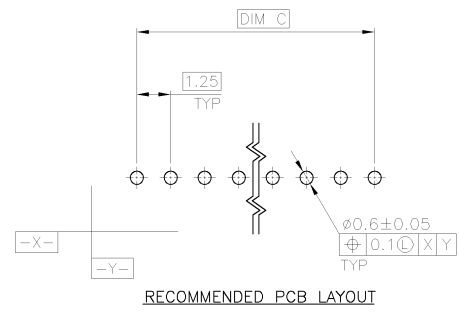
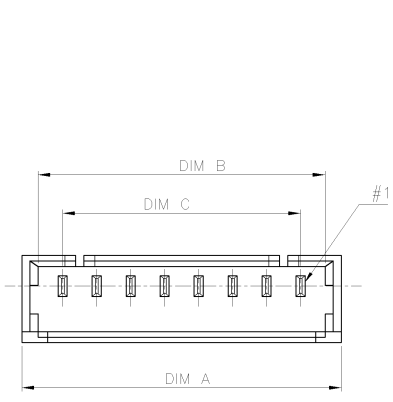


NUMBER C-1734598
METRIC



- NOTE:
- MATERIAL:
HOUSING: THERMOPLASTIC W/ 33% GF, UL 94V-0, COLOR: NATURAL.
CONTACTS: PHOSPHOR BRONZE.
 - FINISH:
CONTACTS: 120 μ MIN. MATTE-TIN OVER 50 μ MIN. NICKEL PLATED.
 - NO TYCO LOGO AND DATE CODE ON THE PRODUCT.

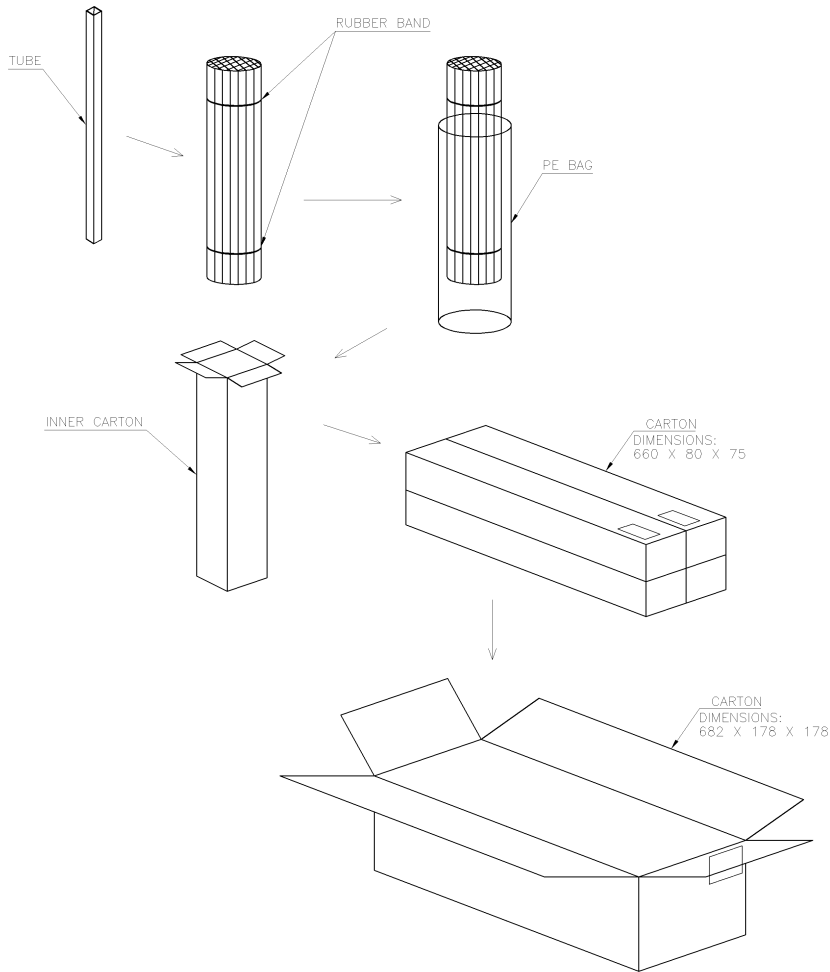
| 3.70 | 17.50 | 19.30 | 20.50 | 15 | 5-1734598-5 |
|--------|--------|--------|--------|-----------------|-------------|
| | 16.25 | 18.05 | 19.25 | 14 | 5-1734598-4 |
| | 15.00 | 16.80 | 18.00 | 13 | 5-1734598-3 |
| | 13.75 | 15.55 | 16.75 | 12 | 5-1734598-2 |
| | 12.50 | 14.30 | 15.50 | 11 | 5-1734598-1 |
| | 11.25 | 13.05 | 14.25 | 10 | 5-1734598-0 |
| | 10.00 | 11.80 | 13.00 | 9 | 4-1734598-9 |
| | 8.75 | 10.55 | 11.75 | 8 | 4-1734598-8 |
| | 7.50 | 9.30 | 10.50 | 7 | 4-1734598-7 |
| | 6.25 | 8.05 | 9.25 | 6 | 4-1734598-6 |
| 2.30 | 5.00 | 6.80 | 8.00 | 5 | 4-1734598-5 |
| | 3.75 | 5.55 | 6.75 | 4 | 4-1734598-4 |
| | 2.50 | 4.30 | 5.50 | 3 | 4-1734598-3 |
| | 1.25 | 3.05 | 4.25 | 2 | 4-1734598-2 |
| | 17.50 | 19.30 | 20.50 | 15 | 3-1734598-5 |
| | 16.25 | 18.05 | 19.25 | 14 | 3-1734598-4 |
| | 15.00 | 16.80 | 18.00 | 13 | 3-1734598-3 |
| | 13.75 | 15.55 | 16.75 | 12 | 3-1734598-2 |
| | 12.50 | 14.30 | 15.50 | 11 | 3-1734598-1 |
| | 11.25 | 13.05 | 14.25 | 10 | 3-1734598-0 |
| 1.70 | 10.00 | 11.80 | 13.00 | 9 | 2-1734598-9 |
| | 8.75 | 10.55 | 11.75 | 8 | 2-1734598-8 |
| | 7.50 | 9.30 | 10.50 | 7 | 2-1734598-7 |
| | 6.25 | 8.05 | 9.25 | 6 | 2-1734598-6 |
| | 5.00 | 6.80 | 8.00 | 5 | 2-1734598-5 |
| | 3.75 | 5.55 | 6.75 | 4 | 2-1734598-4 |
| | 2.50 | 4.30 | 5.50 | 3 | 2-1734598-3 |
| | 1.25 | 3.05 | 4.25 | 2 | 2-1734598-2 |
| | 17.50 | 19.30 | 20.50 | 15 | 1-1734598-5 |
| | 16.25 | 18.05 | 19.25 | 14 | 1-1734598-4 |
| 15.00 | 16.80 | 18.00 | 13 | 1-1734598-3 | |
| 13.75 | 15.55 | 16.75 | 12 | 1-1734598-2 | |
| 12.50 | 14.30 | 15.50 | 11 | 1-1734598-1 | |
| 11.25 | 13.05 | 14.25 | 10 | 1-1734598-0 | |
| 10.00 | 11.80 | 13.00 | 9 | 1734598-9 | |
| 8.75 | 10.55 | 11.75 | 8 | 1734598-8 | |
| 7.50 | 9.30 | 10.50 | 7 | 1734598-7 | |
| 6.25 | 8.05 | 9.25 | 6 | 1734598-6 | |
| 5.00 | 6.80 | 8.00 | 5 | 1734598-5 | |
| 3.75 | 5.55 | 6.75 | 4 | 1734598-4 | |
| 2.50 | 4.30 | 5.50 | 3 | 1734598-3 | |
| 1.25 | 3.05 | 4.25 | 2 | 1734598-2 | |
| DIM. L | DIM. C | DIM. B | DIM. A | NO. OF CONTACTS | PART NUMBER |

| | | | | | |
|--|---------------------------|-------------|---|------------|--------|
| TOLERANCES UNLESS OTHERWISE SPECIFIED: 0 P.L.C. ± 1 P.L.C. ±0.38 2 P.L.C. ±0.25 3 P.L.C. ± ANGLES ±5° | DWN | A. WU | TE Connectivity 1.25 MM PITCH WIRE TO BOARD CONNECTOR, HEADER, DIP, VERTICAL | | |
| | CHK | S. HOU | | | |
| MATERIAL | APVD | W.J. KE | NAME 1.25 MM PITCH WIRE TO BOARD CONNECTOR, HEADER, DIP, VERTICAL PRODUCT SPEC 108-57273 | | |
| SEE NOTE | QUALIFICATION TEST REPORT | 30-DEC-2005 | | | |
| FINISH | 501-57299 | LOC | SIZE | DRAWING NO | REV |
| SEE NOTE | WEIGHT | DW | A ₃ | C-1734598 | P |
| | | SCALE | -- | SHEET | 1 OF 2 |

| | | | | |
|-----|-----------------|---------------------------|--------|---------|
| P | REVISION RECORD | REVISED PER ECO-11-005301 | RK HMR | 16APR11 |
| LTR | | ECO | CHK | DATE |

CUSTOMER DRAWING

NUMBER C-1734598
 METRIC
 3RD ANGLE PROJECTION



| | | | | | |
|-------|-------|-------|-------|-------|----|
| 200 | 6000 | 30 | 5.948 | 2.178 | 15 |
| | 6400 | 32 | 5.920 | 2.150 | 14 |
| | 6800 | 34 | 5.919 | 2.148 | 13 |
| | 7200 | 36 | 5.959 | 2.188 | 12 |
| | 7800 | 39 | 5.868 | 2.098 | 11 |
| | 8600 | 43 | 5.972 | 2.201 | 10 |
| | 9400 | 47 | 5.970 | 2.199 | 9 |
| | 10400 | 52 | 5.954 | 2.184 | 8 |
| | 11600 | 58 | 5.974 | 2.204 | 7 |
| | 13200 | 66 | 5.850 | 2.112 | 6 |
| | 15200 | 76 | 5.929 | 2.158 | 5 |
| 18000 | 90 | 5.930 | 2.160 | 4 | |
| 22000 | 110 | 5.950 | 2.178 | 3 | |
| 28200 | 141 | 5.915 | 2.143 | 2 | |

| TUBES/ CARTON | QUANTITY | PCS/ TUBE | G/W (KG) | N/W (KG) | NO. OF CONTACTS |
|------------------|----------|--------------|-------------|-------------|--------------------|
|------------------|----------|--------------|-------------|-------------|--------------------|

| | | | | | | |
|--|---|------------------|---------|---|-----------|--------|
| TOLERANCES UNLESS OTHERWISE SPECIFIED: | | DWN | A. WU | | | |
| 0 PLC ± | | 30-DEC-2005 | | | | |
| 1 PLC ± | | CHK | S. HOU | NAME | | |
| 2 PLC ± | | 30-DEC-2005 | | 1.25 MM PITCH WIRE TO BOARD CONNECTOR, HEADER, DIP, VERTICAL | | |
| 3 PLC ± | | APVD | W.J. KE | | | |
| ANGLES ± | | 30-DEC-2005 | | LOC | | |
| MATERIAL | - | PRODUCT SPEC | | SIZE | | |
| FINISH | - | APPLICATION SPEC | | DRAWING NO | | |
| WEIGHT | - | SCALE | | REV | | |
| | | | | A ₃ | C-1734598 | P |
| | | | | --- | SHEET | 2 OF 2 |

| | | | | | |
|-----|-----------------|--------------|-----|---------|------|
| LTR | REVISION RECORD | SEE SHEET 1. | ECO | DWN/CHK | DATE |
|-----|-----------------|--------------|-----|---------|------|

PRINT DIST
 DW

DIMENSIONS IN MILLIMETERS. DO NOT SCALE PRINT.

CUSTOMER DRAWING