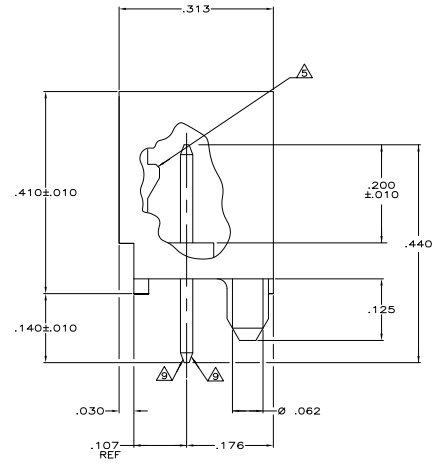
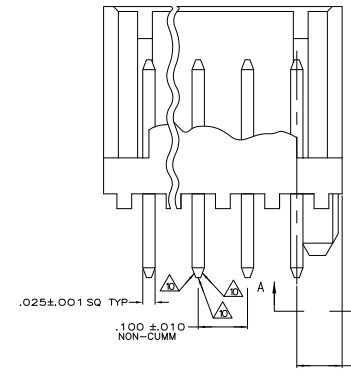
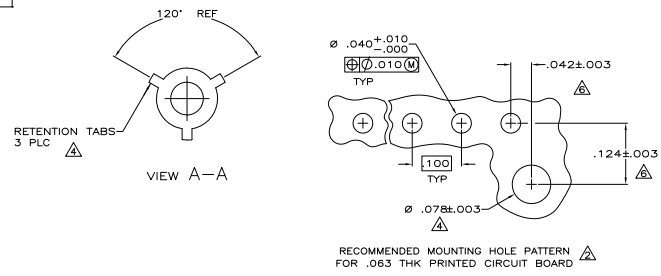
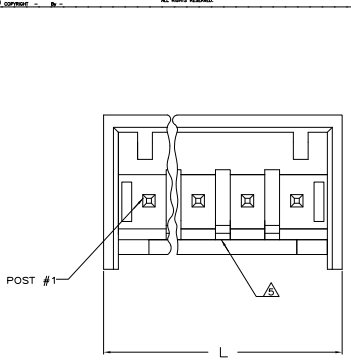


THIS DRAWING IS UNPUBLISHED
 ALL RIGHTS RESERVED

| REV | DATE | DESCRIPTION | BY | CHK | APP |
|-------|------|---------------------------|----|-----|----------------|
| CM 00 | | | | | |
| J2 | | REVISED PER EDD-11-004587 | | | 11MMR11 RK HMR |



- △ MATERIAL: HEADER— POLYESTER UL94V-0 (BLACK)
POST— COPPER ALLOY.
- △ SOLDER SIDE OF P.C. BOARD SHOWN.
- 3. PARTS COMPLY WITH AMP SOLDERABILITY SPEC 109-11-2.
- △ THE RETENTION TABS PROVIDE A ONE-TIME INTERFERENCE FIT IN THE .078 DIAMETER BOARD HOLE FOR HEADER ASSEMBLY RETENTION DURING SOLDERING.
- △ LATCH DETENT FEATURE OCCURS 2 PLACES ON EACH END (MAXIMUM OF FOUR PER PART). FOR 2 THRU 5 CIRCUIT HEADERS, LATCH FEATURE OCCURS BETWEEN EACH CIRCUIT.
- △ COORDINATE DIMENSION APPLIES FROM CENTER OF ACTUAL FEATURE.
- △ POST: 100% MATTE TIN PLATED.
- 8 UL RECOGNIZED (UR) LOGO AND CSA LOGO WILL APPEAR ON THE SIDE OF THE PART. THE AMP LOGO MAY APPEAR ON THE SIDE OR ON BOTTOM OF PART.
- △ TWO SIDES OF TAPER, AS SHOWN, MUST BE PLATED.
- △ TWO SIDES OF TAPER, AS SHOWN, AND TIP MAY BE UNPLATED.
- △ POST: MATTE TIN-LEAD (93/7) PLATED.

| .040 | 1.02 | .124 | 3.15 | — | — |
|------|------|------|------|------|-------|
| .030 | 0.76 | .107 | 2.72 | .440 | 11.18 |
| .025 | 0.64 | .100 | 2.54 | .410 | 10.41 |
| .010 | 0.25 | .092 | 2.34 | .313 | 7.95 |
| .005 | 0.13 | .078 | 1.98 | .200 | 5.08 |
| .003 | 0.08 | .063 | 1.6 | .176 | 4.47 |
| .001 | 0.03 | .062 | 1.57 | .140 | 3.56 |
| .000 | 0 | .042 | 1.07 | .125 | 3.18 |
| IN | MM | IN | MM | IN | MM |

CONVERSION TABLE

| | | | |
|-------|-------|----|------------|
| 1.484 | 37.69 | 14 | 3-644486-4 |
| 1.384 | 35.15 | 13 | 3-644486-3 |
| 1.284 | 32.61 | 12 | 3-644486-2 |
| 1.184 | 30.07 | 11 | 3-644486-1 |
| 1.084 | 27.53 | 10 | 3-644486-0 |
| .984 | 24.99 | 9 | 2-644486-9 |
| .884 | 22.45 | 8 | 2-644486-8 |
| .784 | 19.91 | 7 | 2-644486-7 |
| .684 | 17.37 | 6 | 2-644486-6 |
| .584 | 14.83 | 5 | 2-644486-5 |
| .484 | 12.29 | 4 | 2-644486-4 |
| .384 | 9.75 | 3 | 2-644486-3 |
| .284 | 7.21 | 2 | 2-644486-2 |

| | | | |
|-------|-------|----|------------|
| 1.484 | 37.69 | 14 | 1-644486-4 |
| 1.384 | 35.15 | 13 | 1-644486-3 |
| 1.284 | 32.61 | 12 | 1-644486-2 |
| 1.184 | 30.07 | 11 | 1-644486-1 |
| 1.084 | 27.53 | 10 | 1-644486-0 |
| .984 | 24.99 | 9 | 1-644486-9 |
| .884 | 22.45 | 8 | 1-644486-8 |
| .784 | 19.91 | 7 | 1-644486-7 |
| .684 | 17.37 | 6 | 1-644486-6 |
| .584 | 14.83 | 5 | 1-644486-5 |
| .484 | 12.29 | 4 | 1-644486-4 |
| .384 | 9.75 | 3 | 1-644486-3 |
| .284 | 7.21 | 2 | 1-644486-2 |

| LEADFREE | FINISH | NO OF POSITIONS | PART NUMBER |
|----------|--------|-----------------|-----------------|
| L | | | HEADER ASSEMBLY |



THIS DRAWING IS A CONTROLLED DOCUMENT.

DATE: 10/11/01

REVISED PER: EDD-11-004587

MTA-100 SHROUDED HEADER ASSEMBLY, FRICTION LOCK/STRAIGHT POST, TIN OR TIN LEAD PLATED.

00779 G=644486