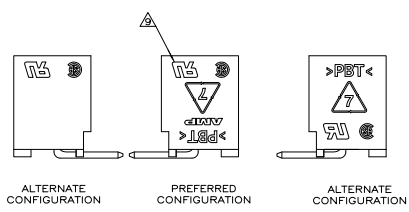
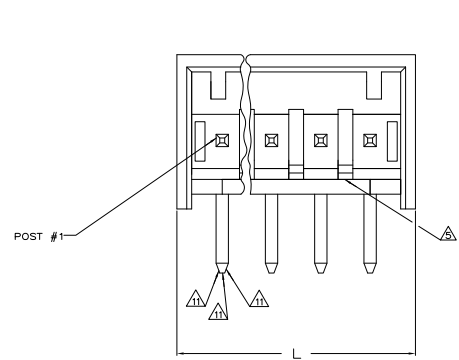
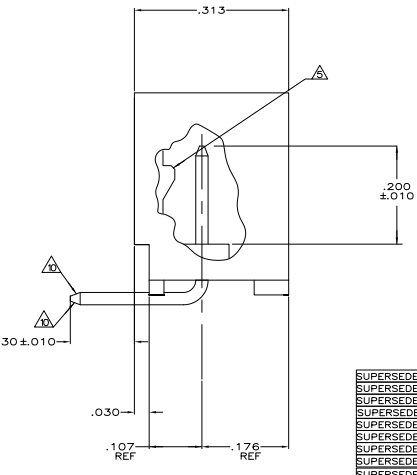
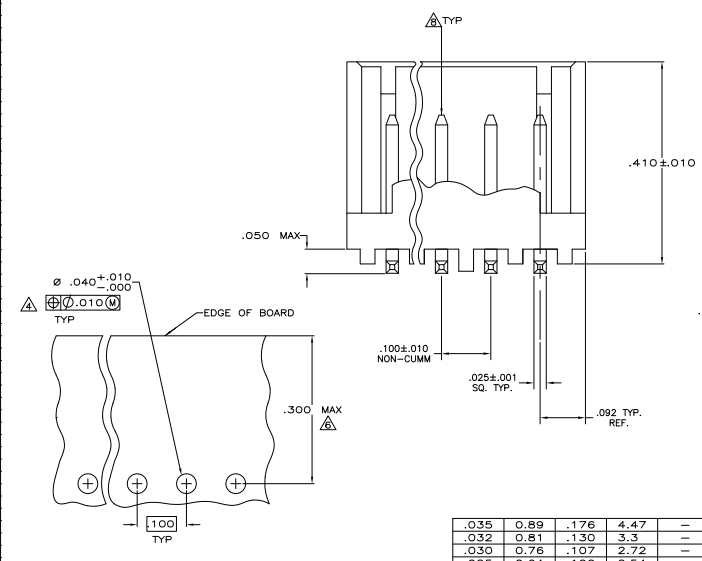


REV	DATE	DESCRIPTION	BY	CHK	APP
CM 00	J1	REVISED PER EDD-11-004587	11MM11	RK	HMR



POSSIBLE MARKING CONFIGURATIONS  
 SCALE 5:1

- △ MATERIAL: HEADER- POLYESTER UL94V-0 (BLACK)  
 POST- COPPER ALLOY.
- △ SOLDER SIDE OF P.C. BOARD SHOWN.
- 3. PARTS COMPLY WITH AMP SOLDERABILITY SPEC 109-11-2.
- △ ONE HOLE MAY BE UNDERSIZED (.032-.035 DIA) FOR ASSEMBLY RETENTION DURING WAVE SOLDERING.
- △ LATCH DETENT FEATURE OCCURS 2 PLACES ON EACH END (MAXIMUM OF FOUR PER PART) FOR 2 THRU 5 CIRCUIT HEADERS. LATCH FEATURE OCCURS BETWEEN EACH CIRCUIT.
- △ COORDINATE DIMENSION APPLIES FROM CENTER OF ACTUAL FEATURE.
- △ POST: 100% MATTE TIN PLATED.
- △ POST MUST WITHSTAND 3.0 (13.34 NEWTONS) LBS MIN FORCE WITHOUT DISLODGING, EITHER DIRECTION.
- △ UL AND CSA LOGO WILL APPEAR IN THIS AREA. AMP LOGO MAY APPEAR IN THIS AREA OR ON BOTTOM OF PART.
- △ TWO SIDES OF TAPER, AS SHOWN, MUST BE PLATED.
- △ TWO SIDES OF TAPER, AS SHOWN, AND TIP MAY BE UNPLATED.
- △ POST: MATTE TIN-LEAD (93/7) PLATED.



	.035	0.89	.176	4.47	--	--
	.032	0.81	.130	3.3	--	--
	.030	0.76	.107	2.72	--	--
	.025	0.64	1.00	2.54	--	--
	.010	0.25	.092	2.34	.410	10.41
	.005	0.13	.063	1.6	.313	7.95
	.001	0.03	.050	1.27	.300	7.62
	.000	0	.040	1.02	.200	5.08
	IN	MM	IN	MM	IN	MM

CONVERSION TABLE

YES	△	1.484	37.69	14	3-644488-4
		1.384	35.15	13	3-644488-3
		1.284	32.61	12	3-644488-2
		1.184	30.07	11	3-644488-1
		1.084	27.53	10	3-644488-0
		.984	24.99	9	2-644488-9
		.884	22.45	8	2-644488-8
		.784	19.91	7	2-644488-7
		.684	17.37	6	2-644488-6
		.584	14.83	5	2-644488-5
		.484	12.29	4	2-644488-4
		.384	9.75	3	2-644488-3
		.284	7.21	2	2-644488-2
NO	△	1.484	37.69	14	1-644488-4
		1.384	35.15	13	1-644488-3
		1.284	32.61	12	1-644488-2
		1.184	30.07	11	1-644488-1
		1.084	27.53	10	1-644488-0
		.984	24.99	9	1-644488-9
		.884	22.45	8	1-644488-8
		.784	19.91	7	1-644488-7
		.684	17.37	6	1-644488-6
		.584	14.83	5	1-644488-5
		.484	12.29	4	1-644488-4
		.384	9.75	3	1-644488-3
		.284	7.21	2	1-644488-2

RECOMMENDED MOUNTING HOLE PATTERN  
 FOR .063 THK PRINTED CIRCUIT BOARD



THIS DRAWING IS A CONTROLLED DOCUMENT.

DESIGNED BY: J. BOSSI  
 DRAWN BY: J. BOSSI  
 CHECKED BY: J. BOSSI  
 DATE: 11/11/01

TE Connectivity  
 MTA-100 SHROUDED HEADER ASSEMBLY,  
 FRICTION LOCK, RIGHT ANGLE POST,  
 TIN OR TIN LEAD PLATED.

SIZE: 10-11  
 PART NUMBER: 100779 (G=644488)

CUSTOMER DRAWING