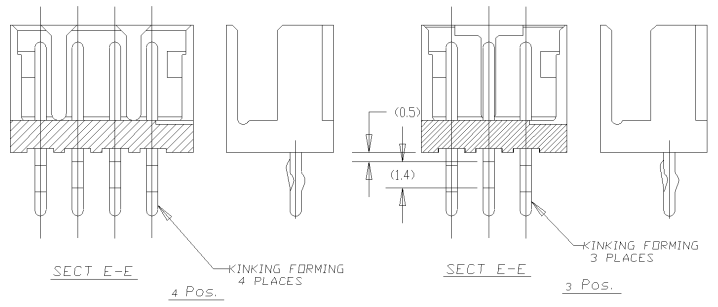
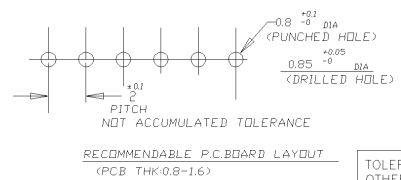


NOTES:

- △ MATERIAL: HOUSING - 66 NYLON (UL94V-0)
- POST - TIN BRASS
- △ 7-292132-3 WAS OBSOLETE.



7-292132-5	5-292132-5	3-292132-5	1-292132-5	15	28	31.8	25.2	31.0
7-4	5-4	3-4	1-4	14	26	29.8	23.2	29.0
7-3	5-3	3-3	1-3	13	24	27.8	21.2	27.0
7-2	5-2	3-2	1-2	12	22	25.8	19.2	25.0
7-1	5-1	3-1	1-1	11	20	23.8	17.2	23.0
7-0	5-0	3-0	1-0	10	18	21.8	15.2	21.0
6-9	4-9	2-9	0-9	9	16	19.8	13.2	19.0
6-8	4-8	2-8	0-8	8	14	17.8	11.2	17.0
6-7	4-7	2-7	0-7	7	12	15.8	9.2	15.0
6-6	4-6	2-6	0-6	6	10	13.8	7.2	13.0
6-5	4-5	2-5	0-5	5	8	11.8	5.2	11.0
6-4	4-4	2-4	0-4	4	6	9.8	3.2	9.0
6-3	4-3	2-3	0-3	3	4	7.8	1.2	7.0
6-2	4-2	2-2	0-2	2	2	5.8	0.2	5.0
6-1	4-1	2-1	0-1	1	1	3.8	0.2	3.0
6-0	4-0	2-0	0-0	0	0	1.8	0.2	1.0
8-292132-6								
6-292132-2	4-292132-2	2-292132-2	292132-2	2	2	5.8	—	5.0
BLACK	YELLOW	BLUE	NATURAL	Pos	A	B	C	D



TOLERANCES UNLESS OTHERWISE SPECIFIED:

10 > * : ±0.2

30 > * > 10 : ±0.25

100 > * > 30 : ±0.3

ANGEL : ±3°

THIS DRAWING IS A CONTROLLED DOCUMENT.

DWN: J. JIANG 23JAN03

CHK: S. YAO 23JAN03

APVD: T. SASAKI 23JAN03

PRODUCT SPEC: 108-60016

APPLICATION SPEC: —

WEIGHT: —

CUSTOMER DRAWING

NAME: POST HEADER ASS'Y (BOX-V DIP) (AMP CT CONNECTOR 2mm PITCH)

SIZE: A3

SCALE: 5:1

DRAWING NO: C=292132

RESTRICTED TO: —

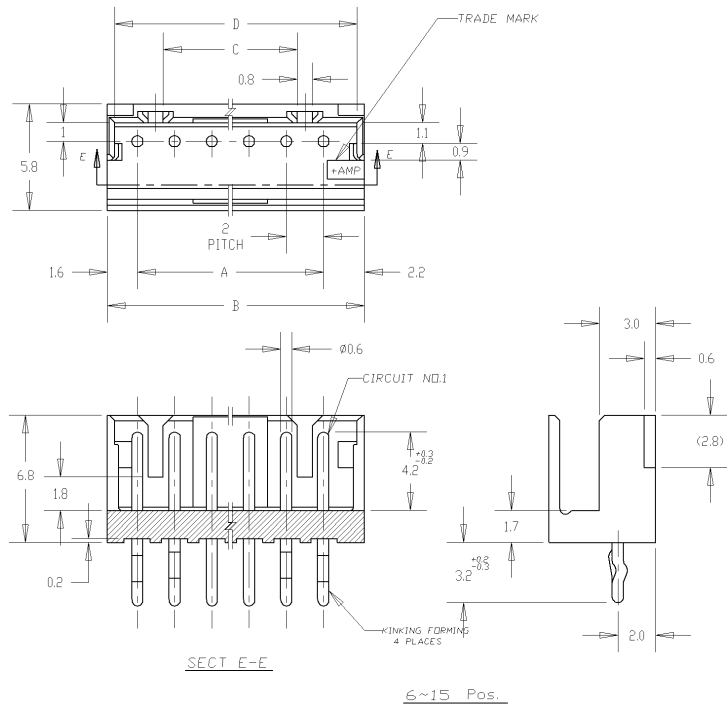
SHEET: 1 OF 2

REV: A1

4 3 2 1

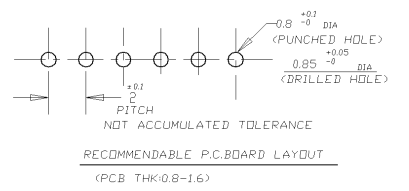
THIS DRAWING IS UNPUBLISHED. RELEASED FOR PUBLICATION
 COPYRIGHT BY TYCO ELECTRONICS CORPORATION. ALL RIGHTS RESERVED.

LOC	DIST	REVISIONS			
P	LTR	DESCRIPTION	DATE	DWN	APVD
ES	00	SEE SHEET 1	-	-	-



NOTES:
 MATERIAL: HOUSING - 66 NYLON (UL94V-0)
 POST - TIN BRASS

7-292132-5	5-292132-5	3-292132-5	1-292132-5	15	26	31.8	25.2	31.0
7-4	5-4	3-4	1-4	14	26	29.8	23.2	29.0
7-3	5-3	3-3	1-3	13	24	27.8	21.2	27.0
7-2	5-2	3-2	1-2	12	22	25.8	19.2	25.0
7-1	5-1	3-1	1-1	11	20	23.8	17.2	23.0
7-0	5-0	3-0	1-0	10	18	21.8	15.2	21.0
6-9	4-9	2-9	-9	9	16	19.8	13.2	19.0
6-8	4-8	2-8	-8	8	14	17.8	11.2	17.0
6-7	4-7	2-7	-7	7	12	15.8	9.2	15.0
6-6	4-6	2-6	-6	6	10	13.8	7.2	13.0
6-5	4-5	2-5	-5	-	-	-	-	-
6-4	4-4	2-4	-4	-	-	-	-	-
6-3	4-3	2-3	-3	-	-	-	-	-
6-2	4-2	2-2	-2	-	-	-	-	-
6-1	4-1	2-1	-1	-	-	-	-	-
6-0	4-0	2-0	0	-	-	-	-	-



THIS DRAWING IS A CONTROLLED DOCUMENT.

DWN: J. JIANG	23JAN03	Tyco Electronics Corporation
CHK: S. YAO	23JAN03	Shanghai, P.R.China, 200233
APVD: T. SASAKI	23JAN03	NAME: POST HEADER ASS'Y (BOX-V DIP)
PRODUCT SPEC: -		(AMP CT CONNECTOR 2mm PITCH)
APPLICATION SPEC: -		SIZE: A3
WEIGHT: -		CAGE CODE: 00779
MATERIAL: -		DRAWING NO: 292132
FINISH: -		RESTRICTED TO: -
CUSTOMER DRAWING		SCALE: 5:1
		SHEET: 2 OF 2
		REV: A1