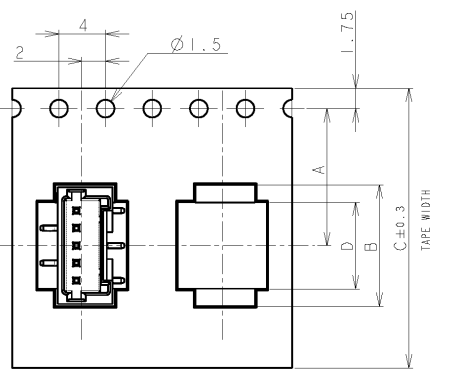
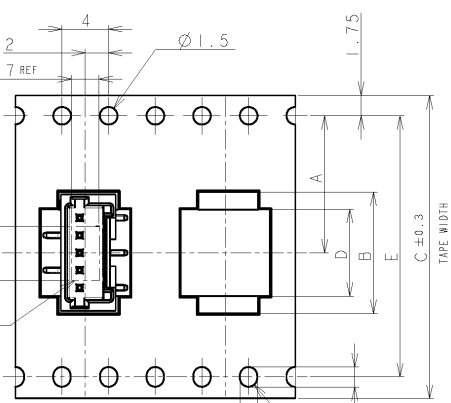


© COPYRIGHT 19 BY AMP INCORPORATED. ALL RIGHTS RESERVED.

LOC	DIST	REVISIONS					
FB	00	P	LTR	DESCRIPTION	DATE	DWN	APVD
		B		REVISED	ECR-05-000512	20JAN06	C.W.S.Y



TYPE 1

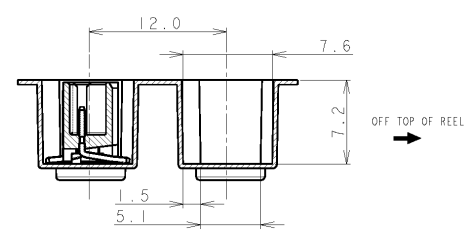
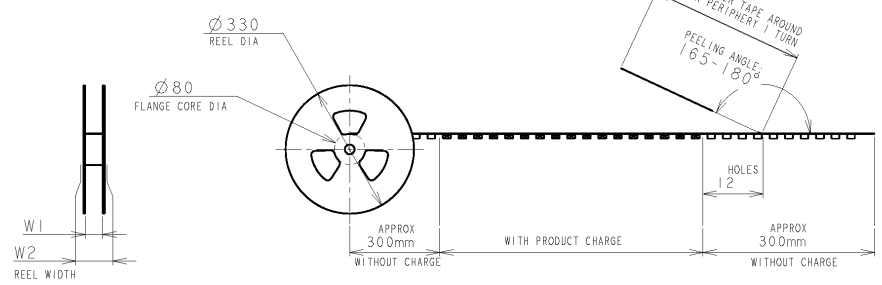
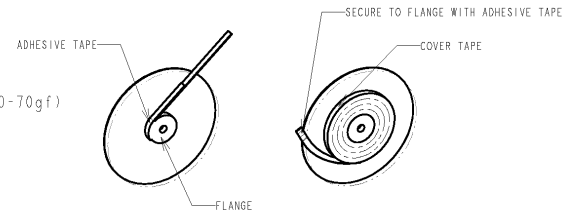


TYPE 2

TOLERANCES UNLESS OTHERWISE SPECIFIED:

10 >	: ±0.2
30 > * > 10	: ±0.25
100 > * > 30	: ±0.3
ANGLE	: ±3°

NOTE:
 1. PEELING STRENGTH: 0.20-0.69N (20-70gf)
 PEELING ANGLE: 165-180°
 PEELING SPEED: 300mm/MINUTE.



<small>THIS DRAWING IS A CONTROLLED DOCUMENT FOR AMP INCORPORATED. IT IS SUBJECT TO CHANGE AND THE CONTROLLING ENGINEERING ORGANIZATION SHOULD BE CONTACTED FOR THE LATEST REVISION.</small>		DWN: S. XU 31JAN03 CHK: S. YAO 31JAN03 APVD: T. SASAKI 31JAN03		tyco Electronics Tyco Electronics Corporation SHANGHAI, CHINA	
DIMENSIONS: mm 		TOLERANCES UNLESS OTHERWISE SPECIFIED: 0 PLC ± 1 PLC ± 2 PLC ± 3 PLC ± 4 PDC ± ANGLES ± SEE L.H.S.		NAME: AMP Mini Common Terminated (CT) Connector 1.5mm PITCH SINGLE ROW POST HDR ASS'Y (V) SMT TYPE WITH BOSS, EMBOSS TAPE PACKAGED	
MATERIAL: - FINISH: -		PRODUCT SPEC: 108-60018 APPLICATION SPEC: 114-5223 WEIGHT: -		SIZE: A3 CAGE CODE: 00779 DRAWING NO: C-292230 RESTRICTED TO: -	
CUSTOMER DRAWING				SCALE: NON SHEET 1 OF 4 REV B	

LOC	DIST	REVISIONS							
FB	00	P	LTR	DESCRIPTION			DATE	DWN	APVD


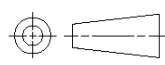
TYPE 2	49.5	45.5	6.2	40.4	29.9	44	32.9	20.2±0.15	500	20	BLACK	7-292230-0	
	49.5	45.5	4.7	40.4	28.4	44	31.4		500	19		6-292230-9	
	49.5	45.5	6.2	40.4	26.9	44	29.9		500	18		6-292230-8	
	49.5	45.5	4.7	40.4	25.4	44	28.4		500	17		6-292230-7	
	49.5	45.5	6.2	40.4	23.9	44	26.9		500	16		6-292230-6	
	49.5	45.5	4.7	40.4	22.4	44	25.4		500	15		6-292230-5	
	49.5	45.5	6.2	40.4	20.9	44	23.9		500	14		6-292230-4	
	49.5	45.5	4.7	40.4	19.4	44	22.4		500	13		6-292230-3	
	37.5	33.5	6.2	28.4	17.9	32	20.9		14.2	500		12	6-292230-2
	37.5	33.5	4.7	28.4	16.4	32	19.4		14.2	500		11	6-292230-1
	37.5	33.5	6.2	28.4	14.9	32	17.9	14.2	500	10		6-292230-0	
	37.5	33.5	4.7	28.4	13.4	32	16.4	14.2	500	9		5-292230-9	
	TYPE 1	29.5	25.5	6.2	-	11.9	24	14.9	11.5	500		8	5-292230-8
		29.5	25.5	4.7	-	10.4	24	13.4	11.5	500		7	5-292230-7
		29.5	25.5	6.2	-	8.9	24	11.9	11.5	500		6	5-292230-6
		29.5	25.5	4.7	-	7.4	24	10.4	11.5	500		5	5-292230-5
		21.5	17.5	6.2	-	5.9	16	8.9	7.5	500		4	5-292230-4
		21.5	17.5	4.7	-	4.4	16	7.4	7.5	500		3	5-292230-3
		21.5	17.5	2.8	-	2.9	16	5.9	7.5	500		2	-
	TAPE TYPE	W2	W1	F	E	D	C	B	A	QTY/REEL		POS	COLOR
DIMENSIONS													

TYPE 2	49.5	45.5	6.2	40.4	29.9	44	32.9	20.2±0.15	500	20	BEIGE	2-292230-0	
	49.5	45.5	4.7	40.4	28.4	44	31.4		500	19		1-292230-9	
	49.5	45.5	6.2	40.4	26.9	44	29.9		500	18		1-292230-8	
	49.5	45.5	4.7	40.4	25.4	44	28.4		500	17		1-292230-7	
	49.5	45.5	6.2	40.4	23.9	44	26.9		500	16		1-292230-6	
	49.5	45.5	4.7	40.4	22.4	44	25.4		500	15		1-292230-5	
	49.5	45.5	6.2	40.4	20.9	44	23.9		500	14		1-292230-4	
	49.5	45.5	4.7	40.4	19.4	44	22.4		500	13		1-292230-3	
	37.5	33.5	6.2	28.4	17.9	32	20.9		14.2	500		12	1-292230-2
	37.5	33.5	4.7	28.4	16.4	32	19.4		14.2	500		11	1-292230-1
	37.5	33.5	6.2	28.4	14.9	32	17.9	14.2	500	10		1-292230-0	
	37.5	33.5	4.7	28.4	13.4	32	16.4	14.2	500	9		292230-9	
	TYPE 1	29.5	25.5	6.2	-	11.9	24	14.9	11.5	500		8	292230-8
		29.5	25.5	4.7	-	10.4	24	13.4	11.5	500		7	292230-7
29.5		25.5	6.2	-	8.9	24	11.9	11.5	500	6	292230-6		
29.5		25.5	4.7	-	7.4	24	10.4	11.5	500	5	292230-5		
21.5		17.5	6.2	-	5.9	16	8.9	7.5	500	4	292230-4		
21.5		17.5	4.7	-	4.4	16	7.4	7.5	500	3	292230-3		
21.5		17.5	2.8	-	2.9	16	5.9	7.5	500	2	-		
TAPE TYPE	W2	W1	F	E	D	C	B	A	QTY/REEL	POS	COLOR	ON TAPE P/N	
DIMENSIONS													

THIS DRAWING IS UNPUBLISHED.

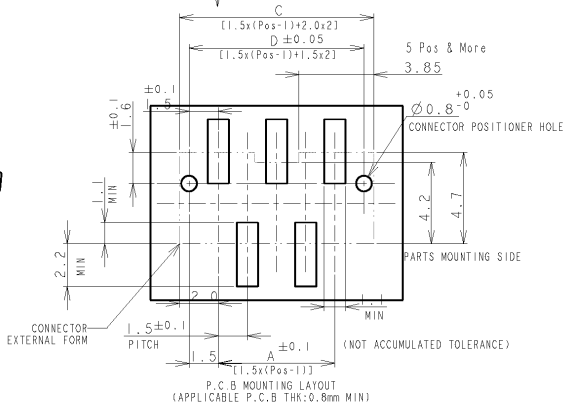
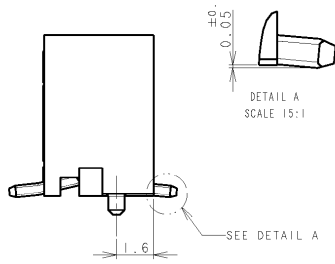
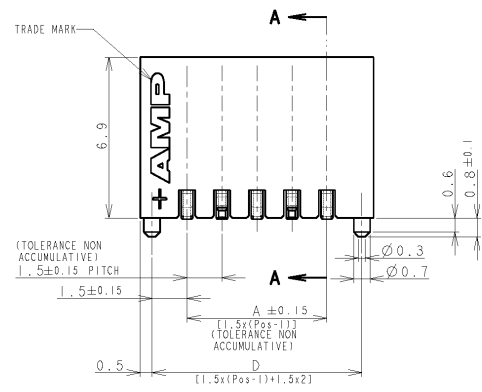
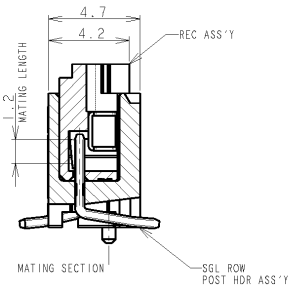
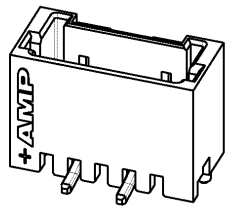
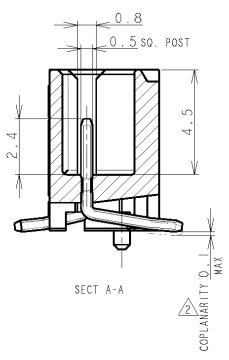
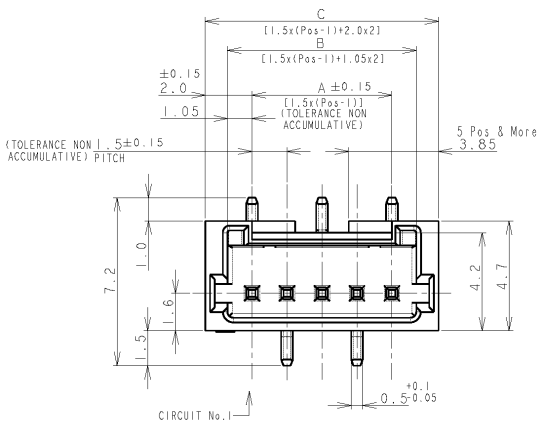
BY TYCO ELECTRONICS CORPORATION. ALL RIGHTS RESERVED.

© COPYRIGHT

DIMENSIONS: mm	DWN	MATERIAL	FINISH
TOLERANCES UNLESS OTHERWISE SPECIFIED:	CHK	 Tyco Electronics Corporation SHANGHAI, CHINA	
0 PLC ±-	APVD	NAME AMP Mini Common Terminated (CT) Connector 1.5mm PITCH	
1 PLC ±0.1	PRODUCT SPEC	SINGLE ROW POST HDR ASS'Y (V)	
2 PLC ±0.01	SEE SHEET 1 OF 4	SMT TYPE WITH BOSS, EMBOSS TAPE PACKAGED	
3 PLC ±0.001	APPLICATION SPEC	SIZE	RESTRICTED TO
4 PLC ±0.0001	SEE SHEET 1 OF 4	CAGE CODE	
ANGLES ±-	WEIGHT	DRAWING NO	
		A4 00779	C-292230
CUSTOMER DRAWING	SCALE	SHEET	REV
	NON	2 OF 4	B

THIS DRAWING IS UNPUBLISHED. RELEASED FOR PUBLICATION
 (C) COPYRIGHT BY TYCO ELECTRONICS CORPORATION. ALL RIGHTS RESERVED.

LOC	DIST	REVISIONS					
FB	00	P	LTR	DESCRIPTION	DATE	DWN	APVD
				SEE SHEET 1			



NOTES:
 1. MATERIAL:
 HOUSING: GLASS FILLED, HIGH HEAT RESISTANT NYLON, UL94V-0. COLOR: BEIGE OR BLACK
 POST: 5#-100# BRASS WIRE
 TO BE MEASURED WITH CONNECTOR PLACED ON HORIZONTAL DATUM SURFACE.
 FLOAT OF SOLDER TINE FROM DATUM SURFACE IS 0.1mm MAX.

<small>THIS DRAWING IS A CONTROLLED DOCUMENT AND THE PROPERTY OF TYCO ELECTRONICS CORPORATION. IT IS SUBJECT TO CHANGE AND THE CONTROLLING ENGINEERING ORGANIZATION SHOULD BE CONTACTED FOR THE LATEST REVISION.</small>		DWN	tyco Tyco Electronics Corporation Shanghai, P.R.China, 200233	
DIMENSIONS: mm	TOLERANCES UNLESS OTHERWISE SPECIFIED: 0 PLC ± 1 PLC ± 2 PLC ± 3 PLC ± 4 PLC ± ANGLES ±	CHK	NAME	
		APVD	AMP MINI COMMON TERMINATION (CT) CONNECTOR 1.5 mm PITCH	
MATERIAL	FINISH	PRODUCT SPEC	SINGLE ROW POST HDR ASS'Y (VI) SMT TYPE WITH BOSS	
SEE NOTE 1	SEE NOTE 1	APPLICATION SPEC	SIZE	RESTRICTED TO
		WEIGHT	A3 00779	
		CUSTOMER DRAWING	C=292230	
			SCALE	
			NON	
			SHEET	
			3	
			OF	
			4	
			REV	
			B	

LOC	DIST	REVISIONS					
FB	00	P	LTR	DESCRIPTION	DATE	DWN	APVD
		-		SEE SHEET 1	-	-	-


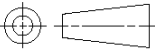
0.98	31.5	32.5	30.6	28.5	20	7-292230-0	2-292230-0
0.93	30.0	31.0	29.1	27.0	19	6-292230-9	1-292230-9
0.89	28.5	29.5	27.6	25.5	18	6-292230-8	1-292230-8
0.84	27.0	28.0	26.1	24.0	17	6-292230-7	1-292230-7
0.80	25.5	26.5	24.6	22.5	16	6-292230-6	1-292230-6
0.75	24.0	25.0	23.1	21.0	15	6-292230-5	1-292230-5
0.71	22.5	23.5	21.6	19.5	14	6-292230-4	1-292230-4
0.66	21.0	22.0	20.1	18.0	13	6-292230-3	1-292230-3
0.62	19.5	20.5	18.6	16.5	12	6-292230-2	1-292230-2
0.57	18.0	19.0	17.1	15.0	11	6-292230-1	1-292230-1
0.52	16.5	17.5	15.6	13.5	10	6-292230-0	1-292230-0
0.48	15.0	16.0	14.1	12.0	9	5-292230-9	292230-9
0.43	13.5	14.5	12.6	10.5	8	5-292230-8	292230-8
0.39	12.0	13.0	11.1	9.0	7	5-292230-7	292230-7
0.34	10.5	11.5	9.6	7.5	6	5-292230-6	292230-6
0.30	9.0	10.0	8.1	6.0	5	5-292230-5	292230-5
0.25	7.5	8.5	6.6	4.5	4	5-292230-4	292230-4
0.20	6.0	7.0	5.1	3.0	3	5-292230-3	292230-3
0.17	4.5	5.5	3.6	1.5	2	-	-
WEIGHT (g)	D	C	B	A	Pos.	BLACK	BEIGE (NAT)
	DIMENSIONS					P/N	

RELEASED FOR PUBLICATION

THIS DRAWING IS UNPUBLISHED.

BY TYCO ELECTRONICS CORPORATION. ALL RIGHTS RESERVED.

© COPYRIGHT

DIMENSIONS:		DWN	MATERIAL	FINISH	
mm		CHK	SEE SHEET 1	SEE SHEET 1	
TOLERANCES UNLESS OTHERWISE SPECIFIED:		APVD	 Tyco Electronics Corporation Shanghai, P.R.China,200233		
0 PLC ±		PRODUCT SPEC	NAME		
1 PLC ±		APPLICATION SPEC	AMP MINI COMMON TERMINATED (CT) CONNECTOR 1.5 mm PITCH		
2 PLC ±		WEIGHT	SINGLE ROW POST HDR ASS'Y (V) SMT TYPE WITH BOSS		
3 PLC ±		CUSTOMER DRAWING	SIZE	CAGE CODE	DRAWING NO
4 PLC ±					
ANGLES ±			A4	00779	C-292230
			SCALE		SHEET 4 OF 4
			NON		REV B