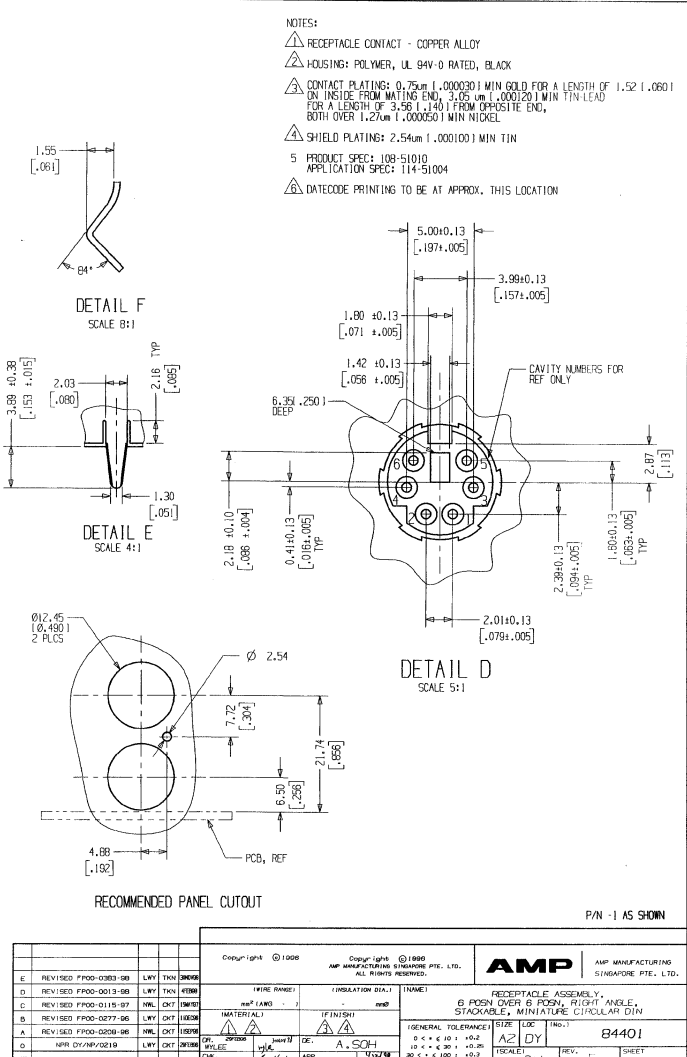
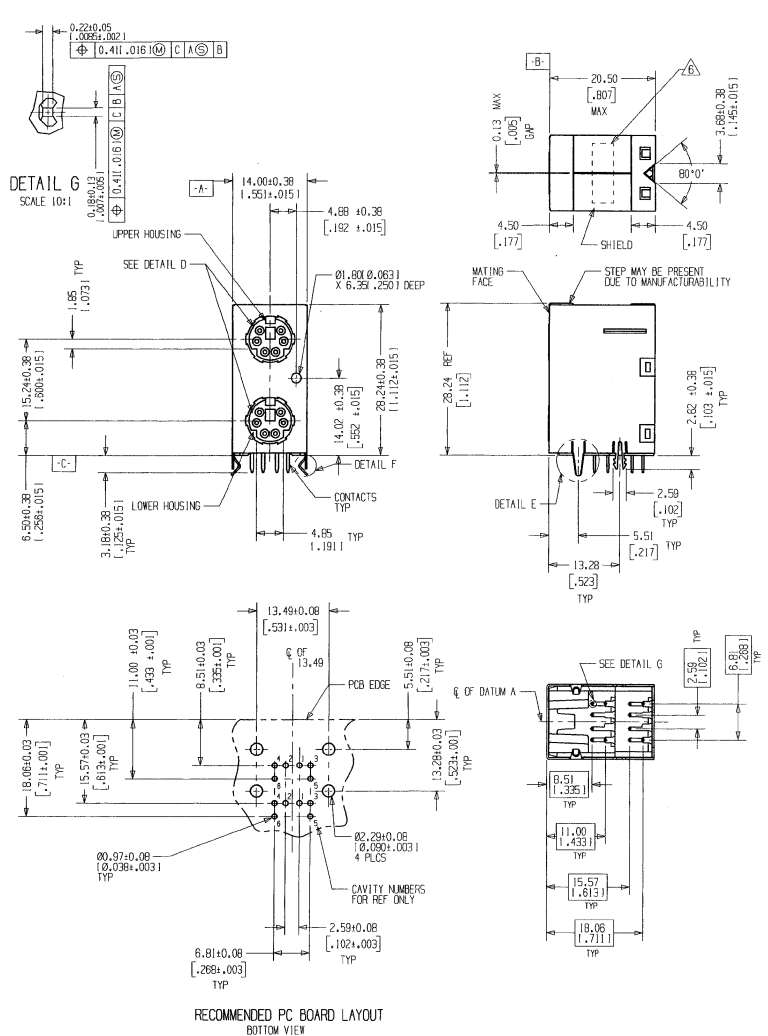


CONFIDENTIAL INFORMATION
 METRIC
 NUMBER B4401
 DIMENSIONS IN MM OR MM SCALE PRINT
 PRINT DATE



- NOTES:
- △ RECEPTACLE CONTACT - COPPER ALLOY
 - △ HOUSING: POLYMER, UL 94V-0 RATED, BLACK
 - △ CONTACT PLATING: 0.75µm 1.0000301 MIN GOLD FOR A LENGTH OF 1.52 1.0601 ON INSIDE FROM MATING END, 3.05µm 1.0001201 MIN TIN LEAD FOR A LENGTH OF 3.56 1.1401 FROM OPPOSITE END, BOTH OVER 1.27µm 1.0000501 MIN NICKEL
 - △ SHIELD PLATING: 2.54µm 1.0001001 MIN TIN
 - 5 PRODUCT SPEC: 108-51010
APPLICATION SPEC: 114-51004
 - △ DATECODE PRINTING TO BE AT APPROX. THIS LOCATION

Copyright © 1998		Copyright © 1998		AMP MANUFACTURING SINGAPORE PTE. LTD.		AMP MANUFACTURING SINGAPORE PTE. LTD.	
E REVISED FPOD-0083-00		LWY TKN 2004		INSULATION DIA. ()		RECEPTACLE ASSEMBLY, 6 POSN OVER 6 POSN, RIGHT ANGLE, STACKABLE, MINIATURE CIRCULAR DIN	
D REVISED FPOD-0013-00		LWY TKN 2004		MATERIAL ()		GENERAL TOLERANCE: SIZE LOC (IND.)	
C REVISED FPOD-0115-02		NHL CHT 1990		FINISH ()		A2 DY B4401	
B REVISED FPOD-0277-06		LWY CHT 1990		DATE ()		SCALE: 2:1 REV: 1 SHEET 1 OF 1	
A REVISED FPOD-0259-04		NHL CHT 1990		APPROVED: A. SOH			
D NEW DYN/0219		LWY CHT 1990		DATE: 15/12/98			
LTP REVISION RECORD		DR CJK		DATE 07/01/99			

CUSTOMER DRAWING