
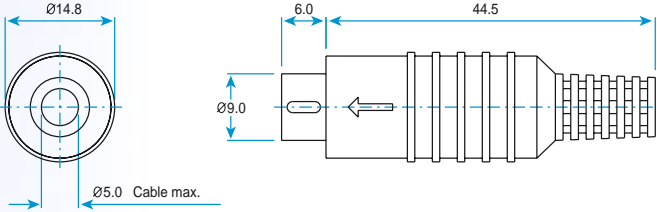


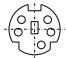
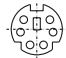
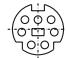
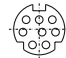



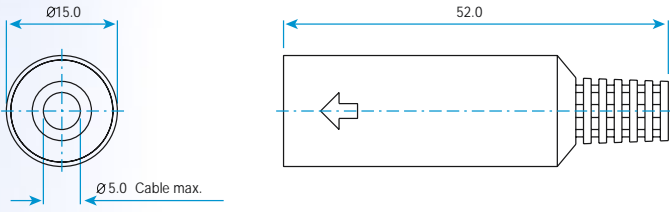
4 8 5 0 . 1 3 1 0 - 1 8 1 0 Plug 3 to 8 Pole Stecker 3 bis 8 Pole

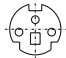

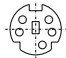
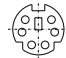
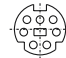
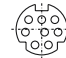
Contact Configuration

	3P		4P		5P		6P		7P		8P
4 8 5 0 . 1 3 1 0	4 8 5 0 . 1 4 1 0	4 8 5 0 . 1 5 1 0	4 8 5 0 . 1 6 1 0	4 8 5 0 . 1 7 1 0	4 8 5 0 . 1 8 1 0						


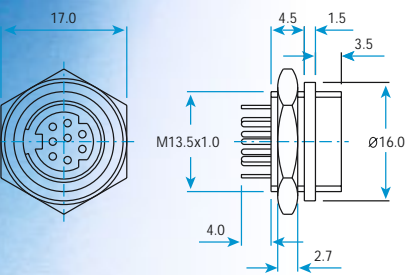
4 8 5 0 . 3 3 0 0 - 3 8 0 0 Line Socket 3 to 8 Pole Inline Sockel 3 bis 8 Pole





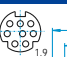



Contact Configuration


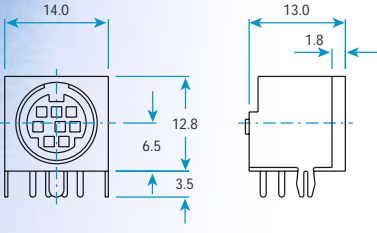
	3P		4P		5P		6P		7P		8P
4 8 5 0 . 3 3 0 0	4 8 5 0 . 3 4 0 0	4 8 5 0 . 3 5 0 0	4 8 5 0 . 3 6 0 0	4 8 5 0 . 3 7 0 0	4 8 5 0 . 3 8 0 0						







4 8 5 0 . 2 3 0 0 - 2 8 0 0 Socket Panel mount Sockel Gehäuse Montage **Contact Configuration & PCB Piercing**

	3P		4P		5P
	6P				8P
4 8 5 0 . 2 3 0 0	4 8 5 0 . 2 4 0 0			4 8 5 0 . 2 5 0 0	
4 8 5 0 . 2 6 0 0				4 8 5 0 . 2 8 0 0	

4 8 5 0 . 2 3 1 0 - 2 8 1 0 Socket PCB mount Sockel PIN Anschluss **Contact Configuration & PCB Piercing**

	3P		4P		5P
	6P		7P		8P
4 8 5 0 . 2 3 1 0	4 8 5 0 . 2 4 1 0	4 8 5 0 . 2 5 1 0			
4 8 5 0 . 2 6 1 0	4 8 5 0 . 2 7 1 0	4 8 5 0 . 2 8 1 0			