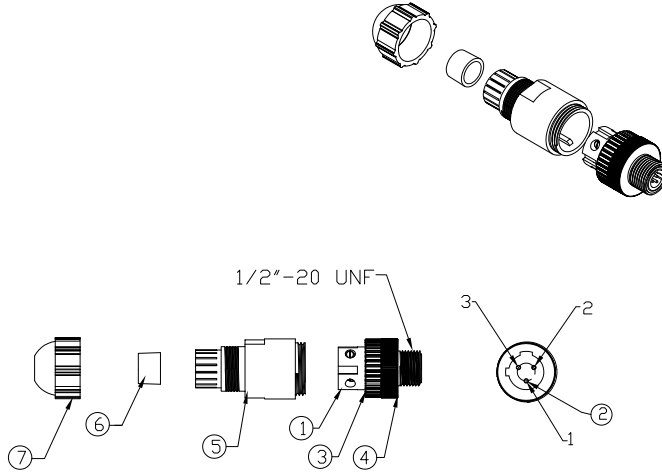
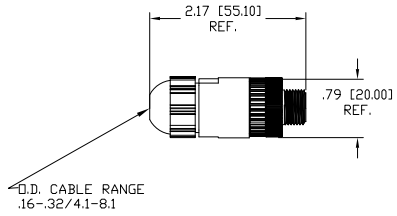
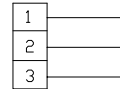


MATERIAL NUMBER	ENGINEERING NUMBER
1200750018	7A3006-32



MALE FACE VIEW



WIRING CHART

VOLTAGE RATING	250VAC/DC
AMPERAGE RATING	4 AMPS
PROTECTION	IP67
OPERATING TEMPERATURE	-40°C TO 185°C

ITEM	QTY	COMPONENT	MATERIAL	FINISH
1	1	INSERT	NYLON	BLACK
2	3	CONTACTS	COPPER ALLOY	GOLD PLATED
3	1	O-RING	NITRILE	BLACK
4	1	COUPLING NUT	BRASS	NICKEL PLATED
5	1	MOLDED BODY	NYLON	BLACK
6	1	GROMMET	NITRILE	BLACK
7	1	CORD GRIP BODY	NYLON	BLACK

<b>RELEASE</b> EC NO: WEL21010045 DRWN: TWOLDEGE 8/20/09 CHKD: BWOODMAN APPR: JHURPHY 2/09/08/21	<b>QUALITY SYMBOL</b> ▽=0 ◊=0	<b>GENERAL TOLERANCES (UNLESS SPECIFIED)</b>		<b>DIMENSION STYLE</b> ---		<b>SCALE</b> ---		<b>DESIGN UNITS</b> INCH		☉ THIRD ANGLE PROJECTION			
		4 PLACES ±--- ±--- 3 PLACES ±--- ±--- 2 PLACES ±--- ±.01 1 PLACE ±0.3 ±---		mm INCH		DRAWN BY DATE TWOLDEGE 2009/08/20		TITLE MIC 3P MALE DK ATTACH .16-.32 O.D. CABLE RANGE PG9 CABLE FITTING		MOLEX INCORPORATED			
		ANGULAR ±---°		DRAFT WHERE APPLICABLE MUST REMAIN WITHIN DIMENSIONS		CHECKED BY DATE BWOODMAN 2009/08/20		APPROVED BY DATE		MATERIAL NO. 1200750018		DOCUMENT NO. SD-120075-004	
		SIZE C		THIS DRAWING CONTAINS INFORMATION THAT IS PROPRIETARY TO MOLEX INCORPORATED AND SHOULD NOT BE USED WITHOUT WRITTEN PERMISSION									

SHEET NO. 1 OF 1