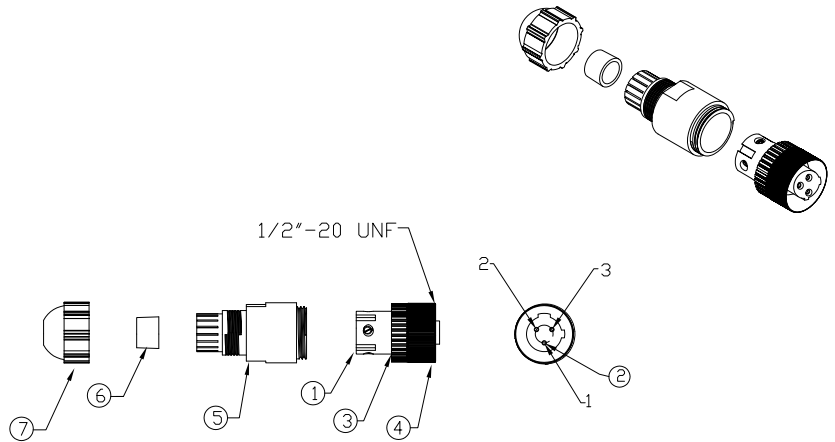
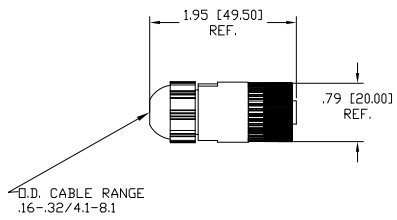
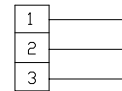


MATERIAL NUMBER	ENGINEERING NUMBER
1200750015	7A3000-32



FEMALE FACE VIEW



WIRING CHART

VOLTAGE RATING	250VAC/DC
AMPERAGE RATING	4 AMPS
PROTECTION	IP67
OPERATING TEMPERATURE	-40°C TO 185°C

ITEM		COMPONENT	MATERIAL	FINISH
1	1	INSERT	NYLON	BLACK
2	3	CONTACTS	COPPER ALLOY	GOLD PLATED
3	1	O-RING	NITRILE	BLACK
4	1	COUPLING NUT	BRASS	NICKEL PLATED
5	1	MOLDED BODY	NYLON	BLACK
6	1	GROMMET	NITRILE	BLACK
7	1	CORD GRIP BODY	NYLON	BLACK

RELEASE EC NO: WEL21010045 DRAWN: TWOLDEGE 8/2008 CHKD: BWOODMAN APPR: JHURPHY 2/09/08/21	QUALITY SYMBOL $\nabla=0$ $\sphericalangle=0$	GENERAL TOLERANCES (UNLESS SPECIFIED) <table border="1"> <tr> <td></td> <td>mm</td> <td>INCH</td> </tr> <tr> <td>4 PLACES</td> <td>±.---</td> <td>±.---</td> </tr> <tr> <td>3 PLACES</td> <td>±.---</td> <td>±.---</td> </tr> <tr> <td>2 PLACES</td> <td>±.---</td> <td>±.01</td> </tr> <tr> <td>1 PLACE</td> <td>±0.3</td> <td>±.---</td> </tr> </table>		mm	INCH	4 PLACES	±.---	±.---	3 PLACES	±.---	±.---	2 PLACES	±.---	±.01	1 PLACE	±0.3	±.---	DIMENSION STYLE --- DRAWN BY DATE TWOLDEGE 2009/08/20 CHECKED BY DATE BWOODMAN 2009/08/20 APPROVED BY DATE	SCALE --- DESIGN UNITS INCH THIRD ANGLE PROJECTION	TITLE MIC 3P FEMALE DK ATTACH .16-.32 O.D. CABLE RANGE PG9 CABLE FITTING MOLEX INCORPORATED
		mm	INCH																	
	4 PLACES	±.---	±.---																	
	3 PLACES	±.---	±.---																	
2 PLACES	±.---	±.01																		
1 PLACE	±0.3	±.---																		
MATERIAL NO. 1200750015	DOCUMENT NO. SD-120075-003	SHEET NO. 1 OF 1																		
SIZE C	THIS DRAWING CONTAINS INFORMATION THAT IS PROPRIETARY TO MOLEX INCORPORATED AND SHOULD NOT BE USED WITHOUT WRITTEN PERMISSION																			
DRAFT WHERE APPLICABLE MUST REMAIN WITHIN DIMENSIONS																				