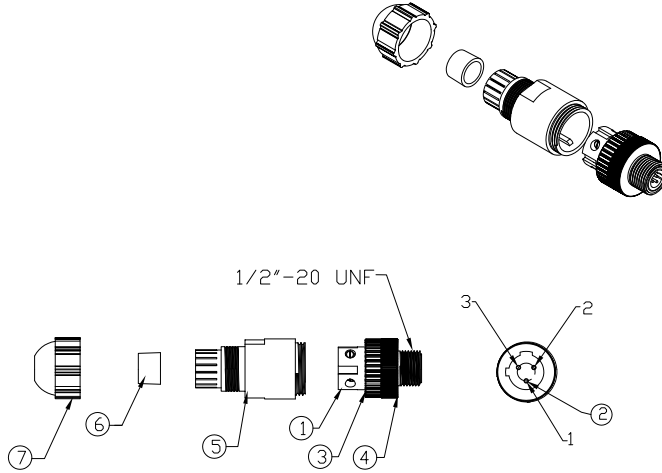
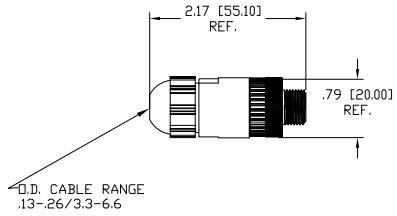
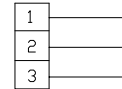


MATERIAL NUMBER	ENGINEERING NUMBER
1200750017	7A3006-31



MALE FACE VIEW



WIRING CHART

VOLTAGE RATING	250VAC/DC
AMPERAGE RATING	4 AMPS
PROTECTION	IP67
OPERATING TEMPERATURE	-40°C TO 185°C

ITEM		COMPONENT	MATERIAL	FINISH
1	1	INSERT	NYLON	BLACK
2	3	CONTACTS	COPPER ALLOY	GOLD PLATED
3	1	O-RING	NITRILE	BLACK
4	1	COUPLING NUT	BRASS	NICKEL PLATED
5	1	MOLDED BODY	NYLON	BLACK
6	1	GROMMET	NITRILE	BLACK
7	1	CORD GRIP BODY	NYLON	BLACK

RELEASE EC NO: WEL21010045 DRWN: TWOLDEGE 8/20/09 CHKD: BWOODMAN APPR: JHURPHY 2/09/08/21	QUALITY SYMBOL ▽=0 ◊=0	GENERAL TOLERANCES (UNLESS SPECIFIED)		DIMENSION STYLE ---		SCALE	DESIGN UNITS	THIRD ANGLE PROJECTION
		mm	INCH	INCH	INCH	INCH	INCH	INCH
		4 PLACES	±---	±---	DRAWN BY DATE TWOLDEGE 2009/08/20	TITLE MIC 3P MALE DK ATTACH .13-.26 O.D. CABLE RANGE PG7 CABLE FITTING		
		3 PLACES	±---	±---	CHECKED BY DATE BWOODMAN 2009/08/20	MOLEX INCORPORATED		
		2 PLACES	±---	±.01	APPROVED BY DATE			
		1 PLACE	±0.3	±---				
		ANGULAR ±---°		MATERIAL NO.		DOCUMENT NO.		SHEET NO.
		DRAFT WHERE APPLICABLE MUST REMAIN WITHIN DIMENSIONS		1200750017		SD-120075-005		1 OF 1
				THIS DRAWING CONTAINS INFORMATION THAT IS PROPRIETARY TO MOLEX INCORPORATED AND SHOULD NOT BE USED WITHOUT WRITTEN PERMISSION				