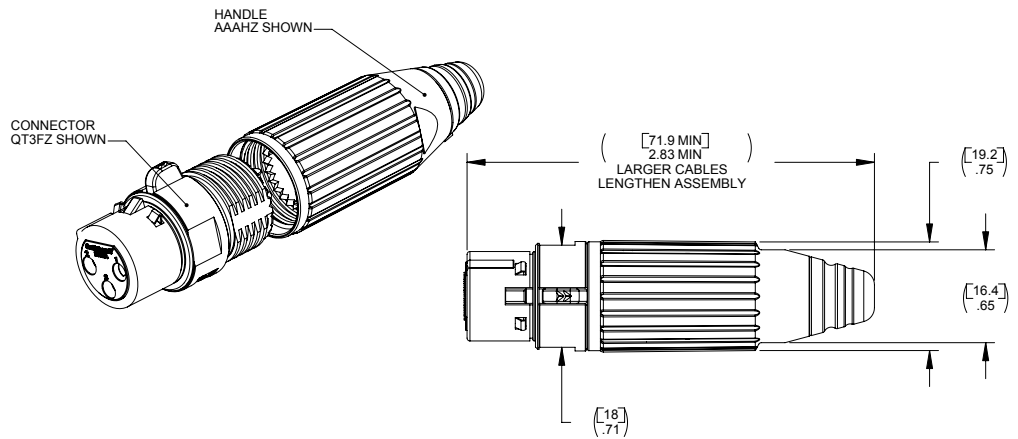


CONTACT ARRANGEMENT
(SHOWN FACING THE CONNECTORS)



SERIES:	AAA	Z
Q-G° CONNECTOR		
# OF PINS/CONTACTS:	3 - 7	
GENDER:	M - MALE F - FEMALE	
HANDLE STYLE:	BLANK - METAL HANDLE P - PLASTIC HANDLE	
FINISH:	BLANK - NICKEL FINISH B - BLACK FINISH	
PINS/CONTACT PLATING:	BLANK - SILVER AU - GOLD	
FLEX RELIEF STYLE:	BLANK - FLEX RELIEF I.D. 0.135 [3.4mm] ACCEPTS CABLE O.D. 0.100 - 0.260 [2.5mm - 6.6mm] L - FLEX RELIEF I.D. 0.225 [5.7mm] ACCEPTS CABLE O.D. 0.260 - 0.285 [6.6mm - 7.2mm]	

CUSTOMER DRAWING

NOTES:

- CONNECTORS AND HANDLES ARE SHIPPED SIDE BY SIDE OR IN BULK.
- THESE PRODUCTS ARE RoHS COMPLIANT.

				★ STAR SYMBOL DENOTES CRITICAL DIMENSION				THIS DRAWING DESCRIBES A DESIGN CONSIDERED PROPRIETARY IN NATURE, DEVELOPED AND MANUFACTURED BY SWITCHCRAFT INC. AND IS RELEASED ON A CONFIDENTIAL BASIS FOR IDENTIFICATION PURPOSES ONLY.			
UNLESS OTHERWISE SPECIFIED				SIZE	WIDTH	MULT	LBS/M	TEMPER.			
1. ALL DIMENSIONS IN INCHES				FINISH				MATERIAL			
- TWO PLACE DECIMALS ±0.01				SPEC No.				SPEC No.			
- THREE PLACE DECIMALS ±0.005				FIRST USED ON		SCALE		1.5:1			
- ANGLES ±1°				DATE DRAWN	BY	CHKD	APVD	Switchcraft®			
- ALL DIA. CONCENTRIC WITHIN 0.005 T.J.R.				03-07-03	BRH	BRH	BRH	SHEET 1 OF 1			
2. FEATURES ON THE SAME CENTERLINE MUST BE ALIGNED WITHIN ±0.002				DO NOT SCALE DRAWING			NAME			PART No.	REV
3. REMOVE ALL BURRS				FEMALE QT CONNECTOR, RoHS			AAA_FZ SERIES			D	
REV	ECO NUMBER	DATE	BY	APVD							
REVISIONS											

SolidWorks CAD File