

4

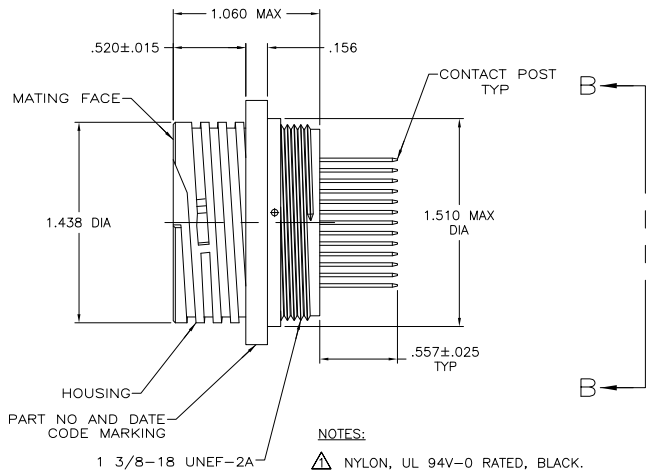
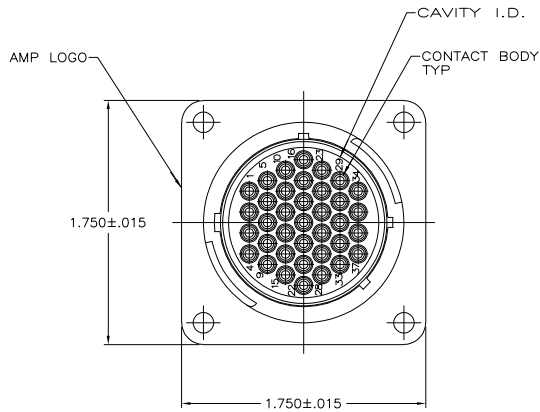
3

2

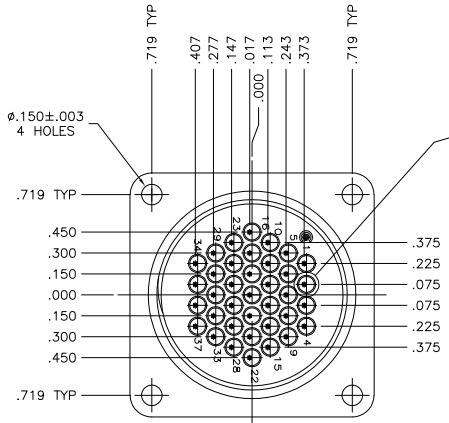
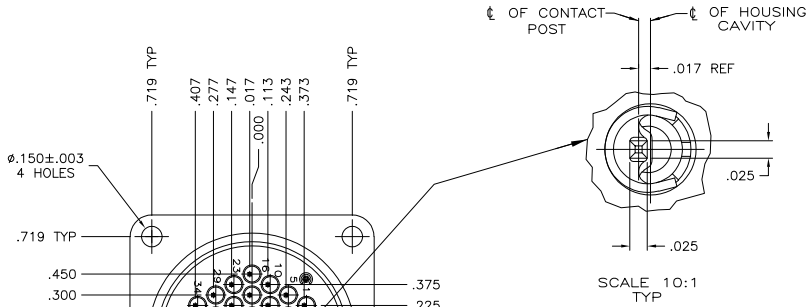
1

THIS DRAWING IS UNPUBLISHED. RELEASED FOR PUBLICATION  
 © COPYRIGHT BY TYCO ELECTRONICS CORPORATION. ALL RIGHTS RESERVED.

LOC		DIST		REVISIONS			
FT	0	P	LTR	DESCRIPTION	DATE	MIN	APPD
		D		REVISED PER ECO-07-007552	4/20/07	SS	SH



- NOTES:
- ▲ NYLON, UL 94V-0 RATED, BLACK.
  - ▲ STAINLESS STEEL.
  - ▲ BRASS.
  - ▲ CONTACT BODY: .000030 MIN GOLD FOR A LENGTH OF .200 MIN FROM MATING END, GOLD FLASH ON REMAINDER, BOTH OVER .000030 MIN NICKEL.  
CONTACT POST: .000100 MIN TIN-LEAD OVER .000050 MIN NICKEL.
  - 5. RECOMMENDED PC BOARD HOLE SIZE FOR CONTACT POST = .035±.003 DIA.
  - ▲ CONTACT BODY: .000030 MIN GOLD FOR A LENGTH OF .200 MIN FROM MATING END, GOLD FLASH ON REMAINDER, BOTH OVER .000030 MIN NICKEL.  
CONTACT POST: .000100 MIN TIN OVER .000050 MIN NICKEL.
  - ▲ SELECT LOAD: NO CONTACTS LOADED IN POSITIONS 10 AND 32.



▲	NO	213856-6
▲	NO	213856-4
▲	YES	213856-2
▲	NO	213856-1
CONTACT FINISH	PERIPHERAL SEAL	PART NUMBER

THIS DRAWING IS A CONTROLLED DOCUMENT. DR: J. HARDY 01-03-95  
 OK: S. STONE 01-08-95  
 APPROVED: NAME: Tyco Electronics Corporation, Harrisburg, PA 17105-3608

DIMENSIONS: INCHES  
 0 PLC ± .010  
 1 PLC ± .010  
 2 PLC ± .010  
 3 PLC ± .010  
 4. ANGLES ± .5°

MATERIAL: HOUSING ▲ CONTACT SPRING ▲ CONTACT BODY & POST ▲ FINISH: CONTACT ▲

PRODUCT SPEC: 108-10024  
 APPLICATION SPEC: 114-10038  
 HEIGHT: -

SIZE: A2  
 CAGE CODE: 00779  
 DRAWING NO: C-213856  
 RESTRICTED TO: -

CUSTOMER DRAWING SCALE: 2:1 SHEET: 1 of 2 REV: D

AMP 1471-9 REV 31MM2000

213856

A

4

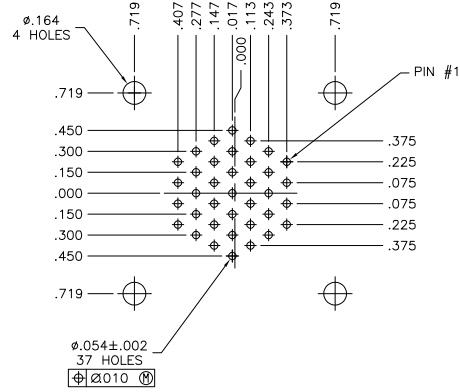
3

2

1

THIS DRAWING IS UNPUBLISHED. RELEASED FOR PUBLICATION  
 © COPYRIGHT BY TYCO ELECTRONICS CORPORATION. ALL RIGHTS RESERVED.

LOC	DIST	REVISIONS		
P	LYR	DESCRIPTION	DATE	BY
FT	0	SEE SHEET 1		



RECOMMENDED P.C. BOARD LAYOUT

THIS DRAWING IS A CONTROLLED DOCUMENT.		DR: D. HARDY 01-03-95	Tyco Electronics Corporation Harrisburg, PA 17105-3608
DIMENSIONS: INCHES		OK: S. STONE 01-08-95	
DIMENSIONS: INCHES 0 PLC # - 1 PLC # - 2 PLC # .01 3 PLC # - 4 PLC # - ANGLES # -		NAME: - PRODUCT SPEC: 108-10024 APPLICATION SPEC: 114-10038 HEIGHT: -	RECEPTACLE ASSEMBLY, POSTED, REVERSE SEX, 23-37, CPC
MATERIAL: HOUSING:  CONTACT SPRING:  CONTACT BODY & POST:		FINISH: CONTACT:	SIZE: A2 CAGE CODE: 00779 DRAWING NO: C=213856 RESTRICTED TO: -
AMP 1471-9 REV 31MM2000		CUSTOMER DRAWING	SCALE: 2:1 SHEET: 2 of 2 REV: D

213856