

4

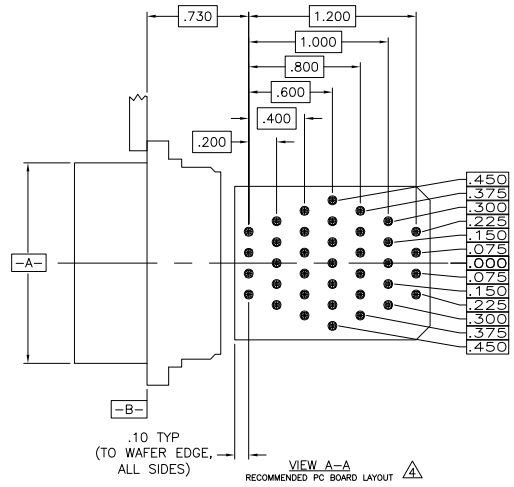
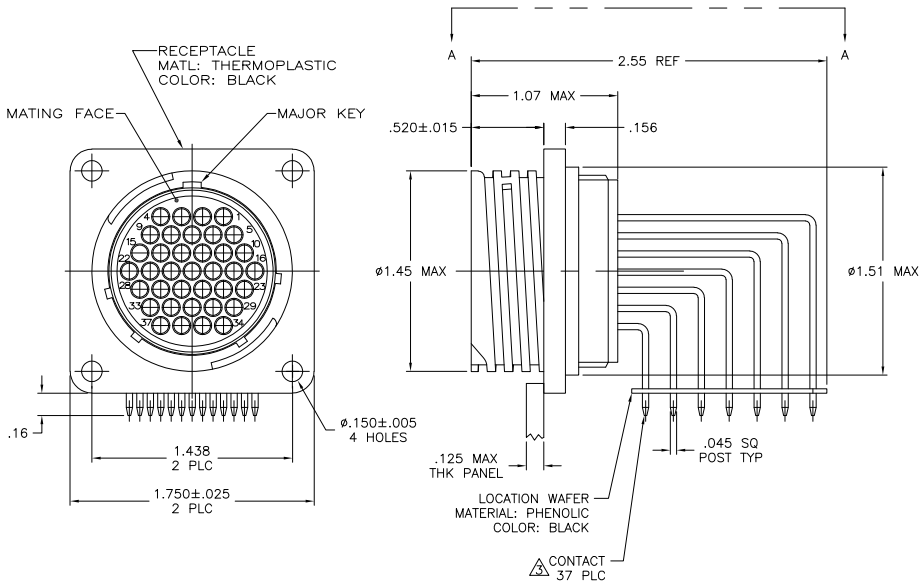
3

2

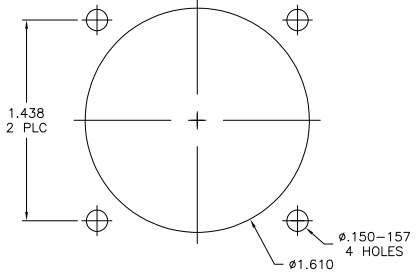
1

THIS DRAWING IS UNPUBLISHED. RELEASED FOR PUBLICATION
 BY TYCO ELECTRONICS CORPORATION. ALL RIGHTS RESERVED.

LOC	DIST	REVISIONS				
FT	0	P	LTR	DATE	MIN	APPD
		A	-	11/22/06	SS	SH



- CONTACT CAVITIES IDENTIFIED BY CHARACTERS ON FRONT AND REAR FACES OF CONNECTOR.
 - #6 FASTNER RECOMMENDED FOR MOUNTING.
- ⚠ CONTACT BODY: .000030 MIN GOLD FOR A LENGTH OF .200 MIN FROM MATING END, WITH REMAINDER TO BE GOLD FLASH, BOTH OVER .000050 MIN NICKEL.
 CONTACT POST: .000100 MIN TIN OVER .000100 MIN COPPER.
- ⚠ PC BOARD HOLE PATTERN IS DEFINED RELATIVE TO CONNECTOR C.L. AND PANEL MOUNTING FACE INDICATED.



RECOMMENDED PANEL CUTOUT
 1776937-1
 PART NUMBER

THIS DRAWING IS A CONTROLLED DOCUMENT.		DWG: S. SCHLEGEL 11/22/06 OK: 11/22/06 S. HEADER 11/22/06 S. HEADER 11/22/06 S. HEADER 11/22/06 PRODUCT SPEC: - APPLICATION SPEC: - HEIGHT: -	Tyco Electronics Tyco Electronics Corporation Harrisburg, PA 17105-3608 RECEPTACLE ASSEMBLY, POSTED, RT ANGLE, RVS SEX, SIZE 23-37, SERIES 1, CPC SIZE: A2 CAGE CODE: 00779 DRAWING NO: 1776937 RESTRICTED TO: -
DIMENSIONS: INCHES 0 PLC ± . - 1 PLC ± . - 2 PLC ± .03 3 PLC ± .010 4 PLC ± . - ANGLES ± . - FINISH: -	MATERIAL: - FINISH: -	CUSTOMER DRAWING SCALE: 2:1 SHEET: 1 of 1 REV: A	

AMP 1471-9 REV 31MM2000

1776937

A