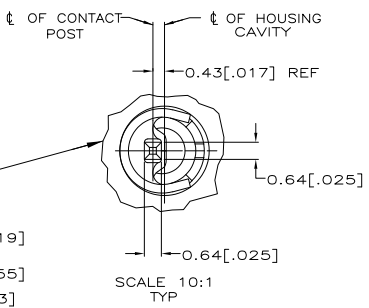
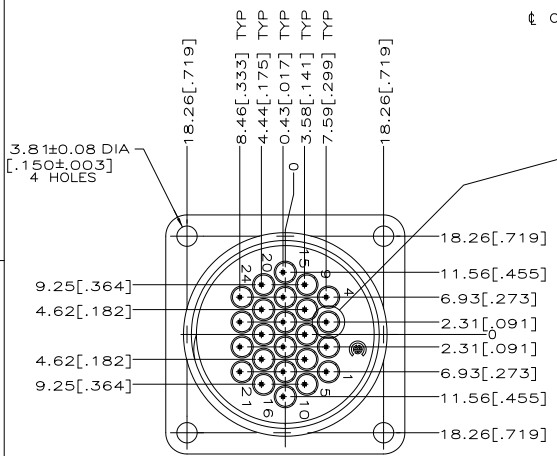
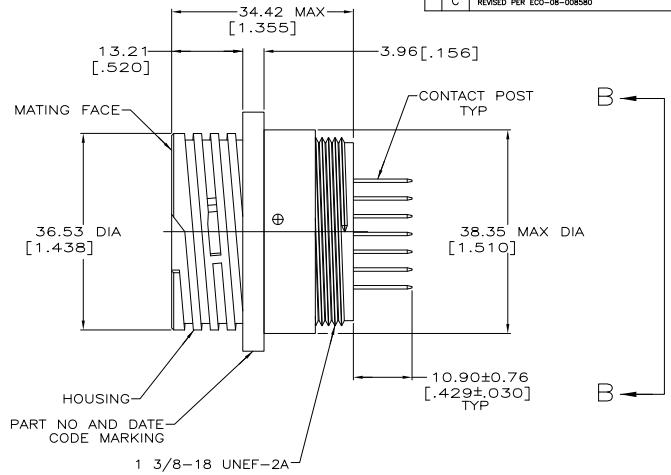
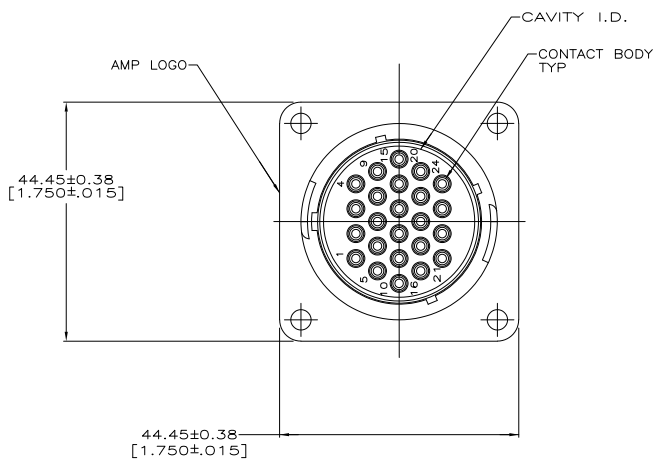


THE DRAWING IS UNPUBLISHED. RELEASED FOR PUBLICATION. ALL RIGHTS RESERVED.

LOC		DIST		REVISIONS			
FT	4	TR	LR	DESCRIPTION	DATE	DRN	APPD
C				REVISED PER ECO-08-008580	15APR08	HMR	SH



- 1 NYLON, UL 94V-0 RATED, BLACK.
- 2 STAINLESS STEEL.
- 3 BRASS.
- 4 CONTACT BODY: 0.76µm [.000030] MIN GOLD FOR A LENGTH OF 5.08 [.200] MIN FROM MATING END. GOLD FLASH ON REMAINDER, BOTH OVER 1.27µm [.000050] MIN NICKEL. CONTACT POST: 2.54µm [.000100] MIN TIN-LEAD OVER 1.27µm [.000050] MIN NICKEL.
- 5 RECOMMENDED PC BOARD HOLE SIZE FOR CONTACT POST = 0.89±0.08 [.035±.003] DIA.

213857-2
213857-1
PART NUMBER

THIS DRAWING IS A CONTROLLED DOCUMENT.		DRN	D. HARDY	01-03-95	Tyco Electronics Corporation Harrisburg, PA 17105-3608
		DRN	B. STONE	01-09-95	
DIMENSIONS: mm [INCHES]		APR	T. COULSON	01-10-95	RECEPTACLE ASSEMBLY, POSTED, STANDARD SEX, 23-24, CPC
TOLERANCES UNLESS OTHERWISE SPECIFIED:		PRODUCT SPEC	108-10024	APPLICATION SPEC	
Ø	PLC	±			SIZE
1	PLC	±	0.25 [010]		
2	PLC	±			CAGE CODE
3	PLC	±			
4	PLC	±			DRAWING NO
5	PLC	±			
6	PLC	±			RESTRICTED TO
7	PLC	±			
MATERIAL: HOUSING: CONTACT CONTACT BODY & POST:		FINISH	114-10038	WEIGHT	A2
		CONTACT			00779
					©=213857
					SCALE 2:1
					SHEET 1 of 2
					REV C

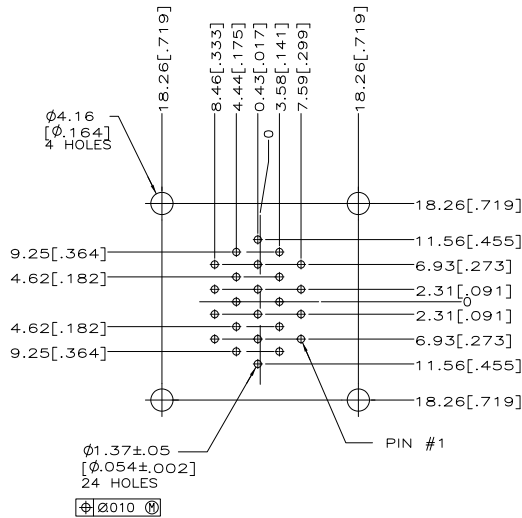
AMP 1471-9 REV 31MMR200

213857

A

THIS DRAWING IS UNPUBLISHED. RELEASED FOR PUBLICATION
 © COPYRIGHT BY TYCO ELECTRONICS CORPORATION. ALL RIGHTS RESERVED.

LOC		REV		REVISIONS		
FT	4	TR	LR	DESCRIPTION	DATE	DRN
-	-	-	-	SEE SHEET 1	-	-



RECOMMENDED P.C. BOARD LAYOUT

THIS DRAWING IS A CONTROLLED DOCUMENT.		DRN	D. HARDY	01-03-95	Tyco Electronics Corporation Harrisburg, PA 17105-3608
		DR	B. STONE	01-09-95	
DIMENSIONS: mm [INCHES]		APR	T. COULSON	01-10-95	RECEPTACLE ASSEMBLY, POSTED, STANDARD SEX, 23-24, CPC
TOLERANCES UNLESS OTHERWISE SPECIFIED:		PRODUCT SPEC		108-10024	
ϕ P/C ± - P/C ± 0.25 [.010] P/C ± - H P/C ± - ANGLES ± - FINISH ± -		APPLICATION SPEC		114-10038	RESTRICTED TO
MATERIAL: MATERIALS: CONTACT BODY & POST:		CONTACT		WEIGHT	SIZE
		CUSTOMER DRAWING		00779	DRAWING NO
				213857	SCALE
				2:1	SHEET
				2 of 2	REV
				C	