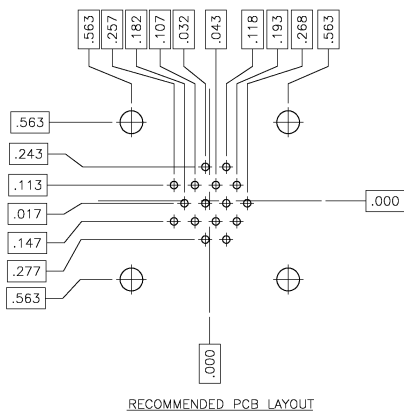
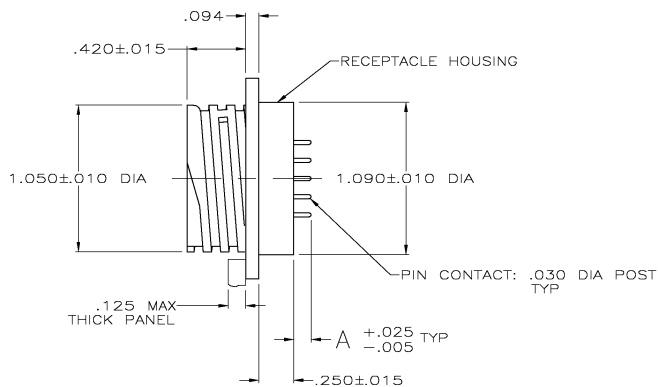
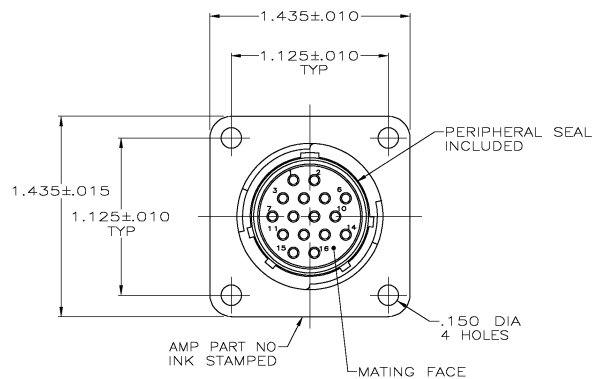


4 3 2 1

THIS DRAWING IS UNPUBLISHED. RELEASED FOR PUBLICATION  
 © COPYRIGHT BY TYCO ELECTRONICS CORPORATION. ALL RIGHTS RESERVED.

LOC		DIST		REVISIONS			
P	LN	DESCRIPTION	DATE	BY	APPD		
F		REVISED PER 0238-0147-03	5/23/03	SS	SH		



PRELIMINARY	.175	△	207292-4
	.175	△	207292-3
	.125	△	207292-2
	.125	△	207292-1
A	FINISH		PART NUMBER

- △ NYLON, UL 94V-0 RATED, BLACK.
- △ BRASS.
- △ .000100 MIN TIN PER MIL-T-10727 OVER NICKEL FLASH PER QQ-N-290.
- △ .000030 MIN GOLD PER MIL-C-45204 OVER .000030 MIN NICKEL PER QQ-N-290.

THIS DRAWING IS A CONTROLLED DOCUMENT. DW: J. GALLUCCI BG 3-22-91  
 CK: S. STONE 3-4-92  
 PPG: - WAC

TYCO Electronics Tyco Electronics Corporation  
 Harrisburg, PA 17105

POSTED RECEPTACLE ASSEMBLY, STD SEX, SERIES 1, 17-16, CPC

DATE: 3-22-91 CASE CODE: 00779 DRAWING NO: 207292 RESTRICTED TO: -  
 WEIGHT: -  
 CUSTOMER DRAWING SCALE: 2:1 SHEET 1 of 1 REV F

H:\4m\_mod\

207292

B

A