

4

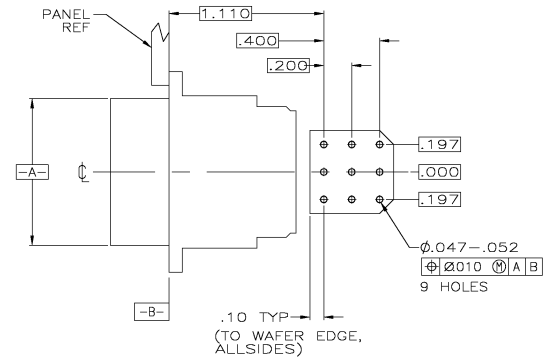
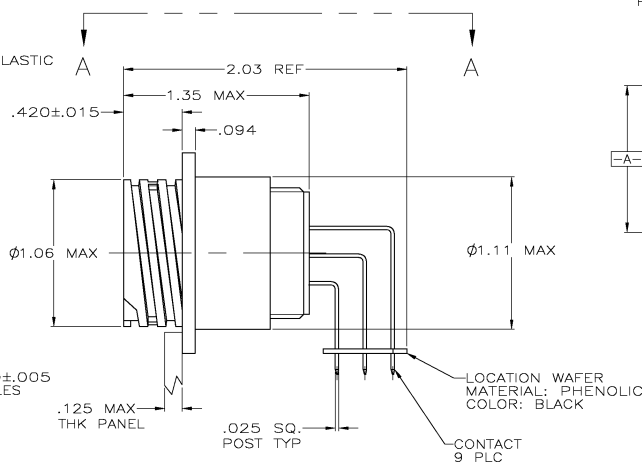
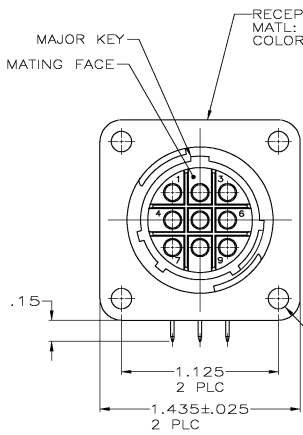
3

2

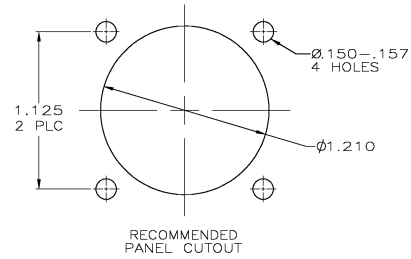
1

THIS DRAWING IS UNPUBLISHED. RELEASED FOR PUBLICATION
 © COPYRIGHT BY TYCO ELECTRONICS CORPORATION. ALL RIGHTS RESERVED.

LOC		DIST		REVISIONS			
P	LTR	DESCRIPTION	DATE	MIN	APP'D		
B		REVISED PER 0638-0100-05	5/4/05	SS	HW		



VIEW A-A
 RECOMMENDED PC BOARD LAYOUT



- CONTACT CAVITIES IDENTIFIED BY CHARACTERS ON FRONT AND REAR FACES OF CONNECTOR.
- #6 FASTENER RECOMMENDED FOR MOUNTING.
- CONTACT BODY: .000030 MIN GOLD FOR A LENGTH OF .250 MIN FROM MATING END, WITH REMAINDER TO BE GOLD FLASH, BOTH OVER .000050 MIN NICKEL.
 CONTACT POST: .000100 MIN TIN-LEAD OVER .000100 MIN COPPER.
- PC BOARD HOLE PATTERN IS DEFINED RELATIVE TO CONNECTOR C.L. AND PANEL MOUNTING FACE INDICATED.
- CONTACT BODY: .000030 MIN GOLD FOR A LENGTH OF .250 MIN FROM MATING END, WITH REMAINDER TO BE GOLD FLASH, BOTH OVER .000050 MIN NICKEL.
 CONTACT POST: .000100 MIN TIN OVER .000100 MIN COPPER.

1-796497-1	
796497-1	
CONTACT FINISH	PART NUMBER

THIS DRAWING IS A CONTROLLED DOCUMENT.		DRW	JAMNER	4-13-00	Tyco Electronics Corporation Harrisburg, Pa 17105-3608	RECEPTACLE ASSY, POSTED, RT ANGLE, STD SEX, SIZE 17-9, SERIES 1, CPC		RESTRICTED TO	
DIMENSIONS:		CHK	M. CHACKO	4-18-00		SIZE	CAGE CODE		DRAWING NO
INCHES		APP'D	M. CHACKO	4-18-00		A2	00779		796497
MATERIAL		FINISH				SCALE	2:1		SHEET 1 of 1
		CUSTOMER DRAWING				REV B			

AMP 1421-9 REV 31 MAR 2000

796497

A