

4

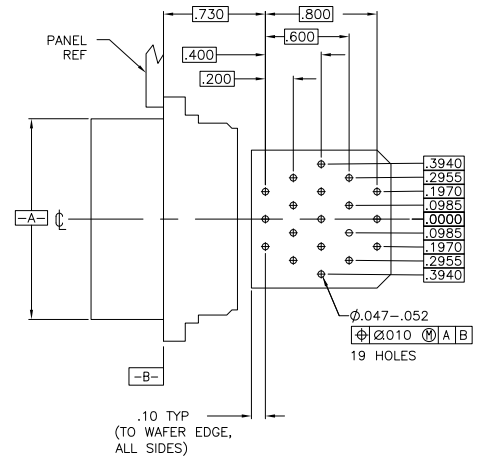
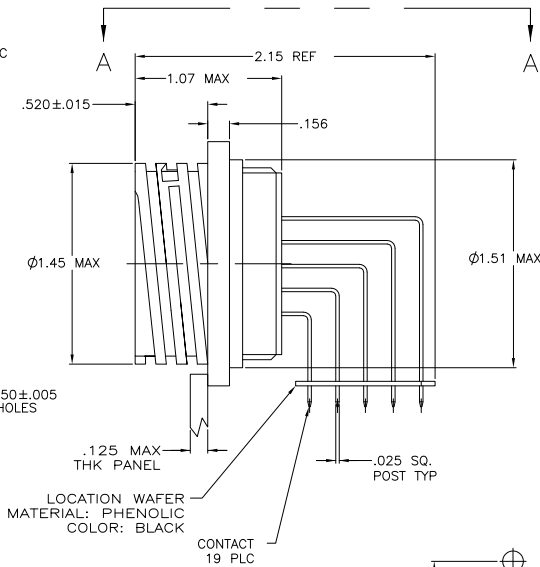
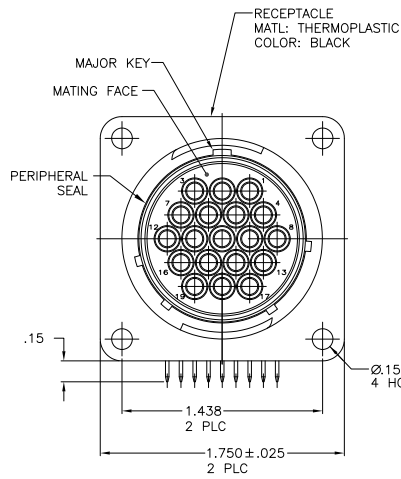
3

2

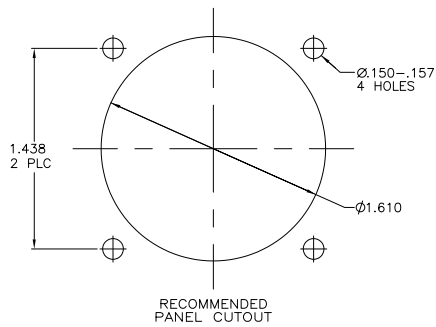
1

THIS DRAWING IS UNPUBLISHED. RELEASED FOR PUBLICATION
 © COPYRIGHT BY TYCO ELECTRONICS CORPORATION. ALL RIGHTS RESERVED.

LOC	DIST	REVISIONS					
FT	0	P	LTR	DESCRIPTION	DATE	MIN	APD
		C2		REVISED PER ECO-09-027350	10DEC09	HMR	MS



VIEW A-A
 RECOMMENDED PC BOARD LAYOUT



- CONTACT CAVITIES IDENTIFIED BY CHARACTERS ON FRONT AND REAR FACES OF CONNECTOR.
- #6 FASTENER RECOMMENDED FOR MOUNTING.
- CONTACT BODY: .000030 MIN GOLD FOR A LENGTH OF .200 MIN FROM MATING END, WITH REMAINDER TO BE GOLD FLASH, BOTH OVER .000050 MIN NICKEL. CONTACT POST: .000100 MIN TIN-LEAD OVER .000100 MIN COPPER.
- PC BOARD HOLE PATTERN IS DEFINED RELATIVE TO CONNECTOR C.L. AND PANEL MOUNTING FACE INDICATED.
- CONTACT BODY: .000030 MIN GOLD FOR A LENGTH OF .200 MIN FROM MATING END, WITH REMAINDER TO BE GOLD FLASH, BOTH OVER .000050 MIN NICKEL. CONTACT POST: .000100 MIN TIN OVER .000100 MIN COPPER.
- CONTACT BODY AND POST-TIN/NICKEL PLATE

YES	△	1-796502-2
NO	△	1-796502-1
YES	△	796502-2
NO	△	796502-1
PERIPHERAL SEAL	CONTACT FINISH	PART NUMBER

DIMENSIONS:		BY		DATE	
INCHES	0.0005	JHAMNER	4-12-00	OK	4-13-00
0 PLC	± .0005	M. CHACKO	4-13-00	NAME	
1 PLC	± .0010	M. CHACKO	4-13-00	PRODUCT SPEC	
2 PLC	± .0015			APPLICATION SPEC	
3 PLC	± .0020			WEIGHT	
4 PLC	± .0025			CUSTOMER DRAWING	
ANGLES	± .0005			SIZE	
FINISH				CAGE CODE	
				DRAWING NO	
				A200779	C=796502
				RESTRICTED TO	
				SCALE	2:1
				SHEET	1 of 1
				REV	C2

AMP 1471-9 REV 31MM2000

796502

A