

4

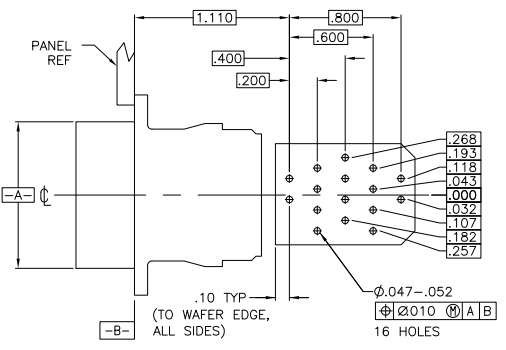
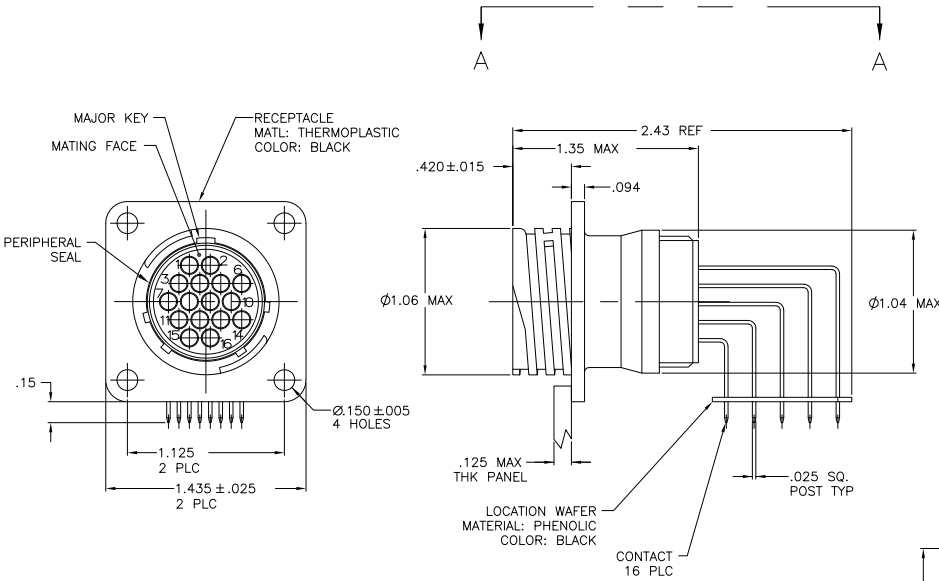
3

2

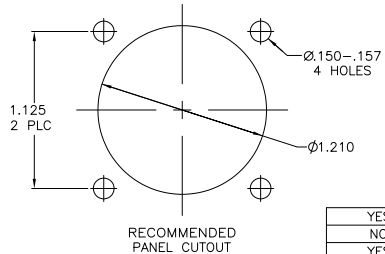
1

THIS DRAWING IS UNPUBLISHED. RELEASED FOR PUBLICATION
 © COPYRIGHT BY TYCO ELECTRONICS CORPORATION. ALL RIGHTS RESERVED.

LOC		DIBT		REVISIONS		
P	LR	DESCRIPTION	DATE	MIN	APD	
C2		REVISED PER ECO-09-027209	09DEC09	HMR	MS	



VIEW A-A
 RECOMMENDED PC BOARD LAYOUT



RECOMMENDED PANEL CUTOUT

- 1 CONTACT CAVITIES IDENTIFIED BY CHARACTERS ON FRONT AND REAR FACES OF CONNECTOR.
- 2 #6 FASTENER RECOMMENDED FOR MOUNTING.
- 3 CONTACT BODY: .000030 MIN GOLD FOR A LENGTH OF .250 MIN FROM MATING END, WITH REMAINDER TO BE GOLD FLASH, BOTH OVER .000050 MIN NICKEL. CONTACT POST: .000100 MIN TIN-LEAD OVER .000100 MIN COPPER.
- 4 PC BOARD HOLE PATTERN IS DEFINED RELATIVE TO CONNECTOR C.L. AND PANEL MOUNTING FACE INDICATED.
- 5 CONTACT BODY: .000030 MIN GOLD FOR A LENGTH OF .250 MIN FROM MATING END, WITH REMAINDER TO BE GOLD FLASH, BOTH OVER .000050 MIN NICKEL. CONTACT POST: .000100 MIN TIN OVER .000100 MIN COPPER.
- 6 CONTACT BODY AND POST PLATED TIN OVER NICKEL.

YES	△	1-796404-2
NO	△	1-796404-1
YES	△	796404-2
NO	△	796404-1

PERIPHERAL SEAL	CONTACT FINISH	PART NUMBER
-----------------	----------------	-------------

THIS DRAWING IS A CONTROLLED DOCUMENT.

DIMENSIONS:	INCHES	BY	DATE	BY	DATE
0 PLC	± .0005	JHAMMER	4-5-00		
1 PLC	± .0010	OK	4-6-00		
2 PLC	± .0015	M. CHACKO			
3 PLC	± .0020	M. CHACKO			
4 PLC	± .0025				
ANGLES	± .0010				
FINISH					

TYPICAL DIMENSIONS
 OTHER DIMENSIONS AS SHOWN
 APPLICATION SPEC: -
 WEIGHT: -
 MATERIAL: -
 FINISH: -

Tyco Electronics Corporation
 Harrisburg, Pa 17105-3608
 RECEPTACLE ASSY, POSTED, RT ANGLE,
 STD SEX, SIZE 17-16, SERIES 1, CPC
 SIZE: A2 CASE CODE: 00779 DRAWING NO: 796404
 CUSTOMER DRAWING SCALE: 2:1 SHEET: 1 OF 1 REV: C2

AMP 1471-9 REV 31MM2000

796404

A