

4

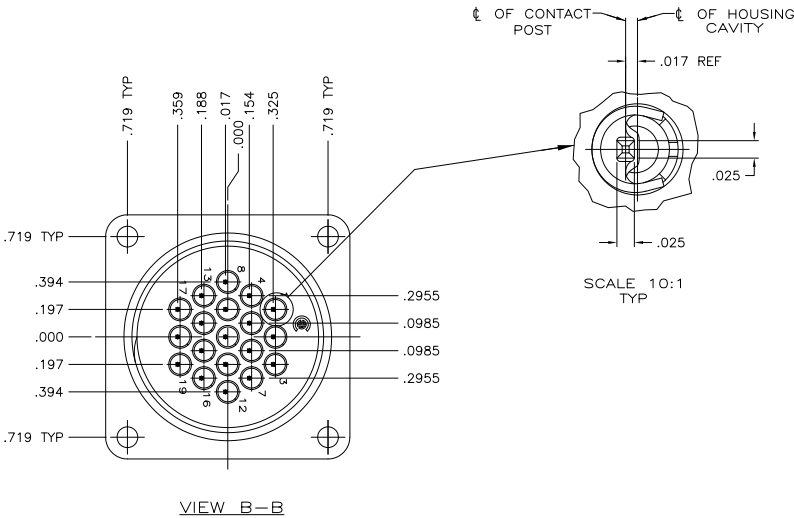
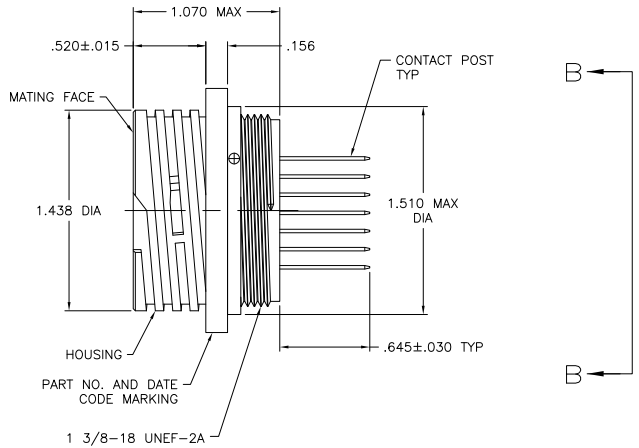
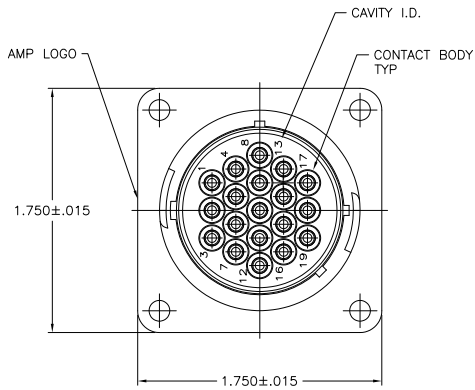
3

2

1

THIS DRAWING IS UNPUBLISHED. RELEASED FOR PUBLICATION
 © COPYRIGHT BY TYCO ELECTRONICS CORPORATION. ALL RIGHTS RESERVED.

LOC		DIST		REVISIONS			
FT	4	P	LTR	DESCRIPTION	DATE	MIN	APPD
		D		REVISED PER ECO-08-008572	10APR08	HMR	SH



- 1 NYLON, UL 94V-0 RATED, BLACK.
- 2 STAINLESS STEEL.
- 3 BRASS.
- 4 CONTACT BODY: .000030 MIN GOLD FOR A LENGTH OF .200 MIN FROM MATING END. GOLD FLASH ON REMAINDER, BOTH OVER .000030 MIN NICKEL.
CONTACT POST: .000100 MIN TIN-LEAD OVER .000050 MIN NICKEL.
- 5 RECOMMENDED PC BOARD HOLE SIZE FOR CONTACT POST = .035 ± .003 DIA.

NO	213858-3
YES	213858-2
NO	213858-1
PERIPHERAL SEAL	PART NUMBER

THIS DRAWING IS A CONTROLLED DOCUMENT.		DR: D. HARDY 01-08-95	Tyco Electronics Corporation Harrisburg, PA 17105	
DIMENSIONS: INCHES		CHK: S. STONE 01-08-95	RECEPTACLE ASSEMBLY, POSTED, REVERSE SEX, 23-19, CPC	
OTHER DIMENSIONS: MILLIMETERS		APPD: -	RESTRICTED TO: -	
MATERIAL: HOUSING: 1 NYLON 2 STAINLESS STEEL 3 BRASS 4 P.C. 5 -		PRODUCT SPEC: 108-10024	SIZE: A2	CAGE CODE: 00779
FINISH: CONTACT: 1 2 3 4 5 -		APPLICATION SPEC: 114-10038	DRW NO: C=213858	SCALE: 2:1
CUSTOMER DRAWING		HEIGHT: -	SHEET: 1 of 2	

AMP 1471-9 REV 31MM2000

213858

A

4

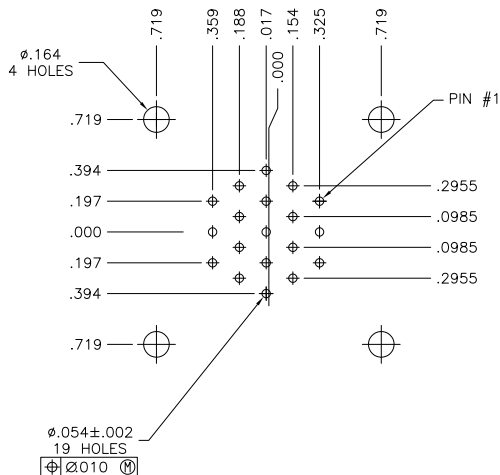
3

2

1

THIS DRAWING IS UNPUBLISHED. RELEASED FOR PUBLICATION
 © COPYRIGHT BY TYCO ELECTRONICS CORPORATION. ALL RIGHTS RESERVED.

LOC	DIST	REVISIONS		
P	LHR	DESCRIPTION	DATE	MIN
-	-	SEE SHEET 1	-	-



RECOMMENDED P.C. BOARD LAYOUT

THIS DRAWING IS A CONTROLLED DOCUMENT.		DR D. HARDY 01-06-95	Tyco Electronics Corporation Harrisburg, PA 17105
		CR R. STONE 01-09-95	
DIMENSIONS: INCHES		PRODUCT SPEC 108-10024	RECEPTACLE ASSEMBLY, POSTED, REVERSE SEX, 23-19, CPC
TOLERANCES UNLESS OTHERWISE SPECIFIED:		APPLICATION SPEC 114-10038	
MATERIAL: HOUSING △ CONTACT SPRING △ CONTACT BODY & POST △		WEIGHT -	RESTRICTED TO -
FINISH: CONTACT △		CUSTOMER DRAWING	SCALE 2:1 SHEET 2 of 2 REV D