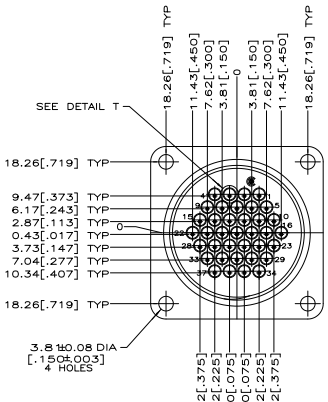
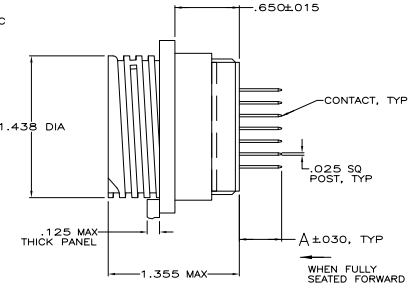
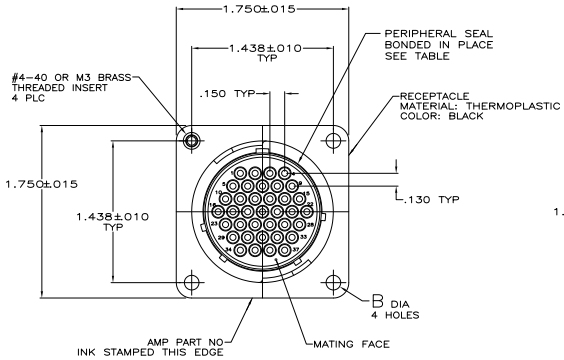


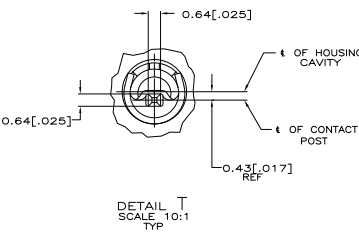
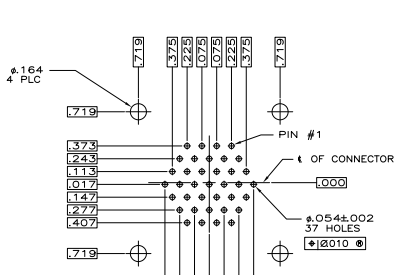
THIS DRAWING IS UNPUBLISHED
 RECEIVED FOR PURCHASE
 ALL RIGHTS RESERVED

REV	DATE	DESCRIPTION	BY	APP
AE3		REVISED PER EDD-11-004820	11MR11	RK HMR



- CONNECTOR WILL ACCEPT POSTED TYPE III+ PIN CONTACTS.
- CONTACT BODY: SELECT GOLD OVER NICKEL.
CONTACT POST: TIN-LEAD PER MIL-T-10727 OVER COPPER PER MIL-C-14550A.
- RECOMMENDED PC BOARD HOLE SIZE FOR CONTACT POST: $1.02 \pm 0.08 [0.40 \pm 0.03]$ DIA.
CONTACT POST: TIN OVER COPPER.
- CONTACT BODY: SELECT GOLD OVER NICKEL.
CONTACT POST: TIN OVER COPPER.
- POSITIONS LOADED WITH CONTACTS: 1-4, 10-17, 19-22, 24, 25, 29, 30, 32, 33.
- POSITIONS LOADED WITH CONTACTS: 1-20, 22-28, 30-37
- OBsolete PARTS: OBSOLETE CIS STREAMLINING PER D.RENAUD/D.SINISI

	NO	NO	NO	1.50 ± 0.003	.220	2-206934-3
	NO	NO	YES	1.50 ± 0.003	.119	2-206934-2
	NO	NO	NO	1.50 ± 0.003	.618	1-206934-1
OBsolete	NO	YES	YES	-	.618	2-206934-0
	NO	NO	NO	1.50 ± 0.003	.429	1-206934-9
	NO	YES	YES	-	.119	1-206934-7
PRELIMINARY	NO	NO	YES	1.50 ± 0.003	.429	1-206934-5
	NO	YES	NO	-	.618	1-206934-4
PRELIMINARY	NO	YES	NO	-	.220	1-206934-3
	NO	NO	NO	1.50 ± 0.003	.429	1-206934-2
PRELIMINARY	NO	NO	NO	1.50 ± 0.003	.220	1-206934-1
PRELIMINARY	YES	NO	YES	-	.119	1-206934-0
	NO	YES	YES	-	.119	206934-9
	NO	NO	NO	1.50 ± 0.003	.618	206934-7
	NO	NO	NO	1.50 ± 0.003	.429	206934-6
	NO	NO	NO	1.50 ± 0.003	.119	206934-5
OBsolete	NO	YES	NO	-	.220	206934-4
OBsolete	NO	NO	NO	1.58 ± 0.001	.618	206934-3
OBsolete	NO	NO	NO	1.58 ± 0.001	.429	206934-2
OBsolete	NO	NO	NO	1.50 ± 0.003	.220	206934-1



RECOMMENDED P.C. BOARD LAYOUT

THIS DRAWING IS A CONTROLLED DOCUMENT.		DATE: 03-30-91	TE Connectivity
DESIGNER: J. B. CHAMBERLAIN	DATE: 03-29-89	REVISED: 108-10024	RECEPTACLE ASSEMBLY, POSTED, STD SEX, SERIES 1, 23-37, CPC
DRAWN: J. B. CHAMBERLAIN	DATE: 03-29-89	REVISED: 108-10024	
CHECKED: J. B. CHAMBERLAIN	DATE: 03-29-89	REVISED: 108-10024	
APPROVED: J. B. CHAMBERLAIN	DATE: 03-29-89	REVISED: 108-10024	
SIZE: A1	DATE: 00779	REVISED: 206934	
CUSTOMER DRAWING	DATE: 2-1	REVISED: 1	AE3

488 (2/11)