

4

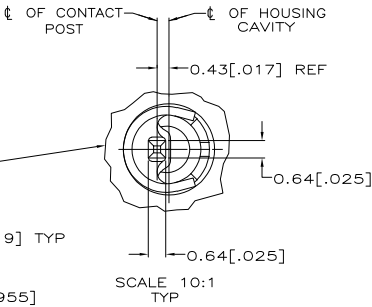
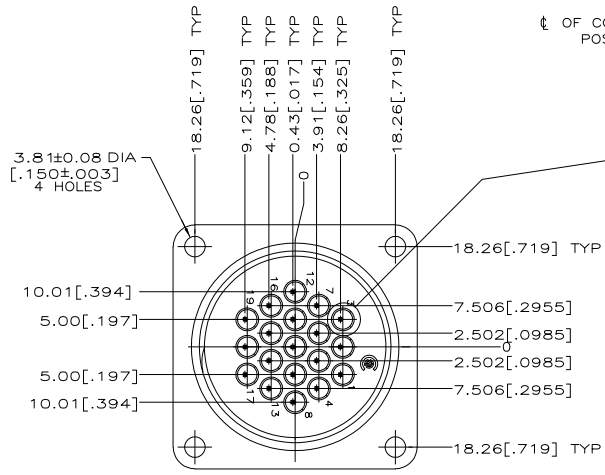
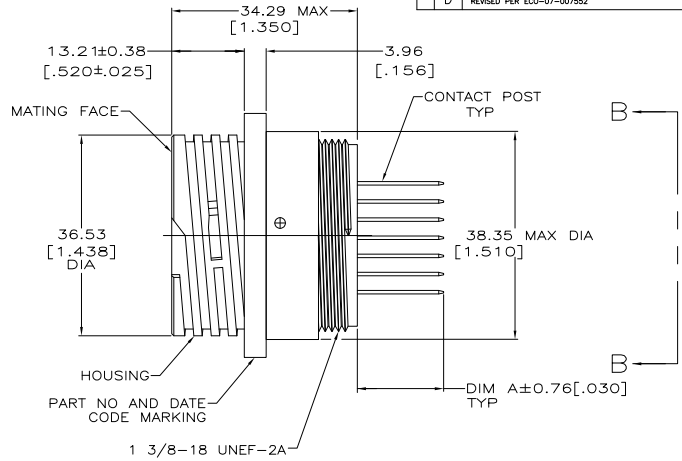
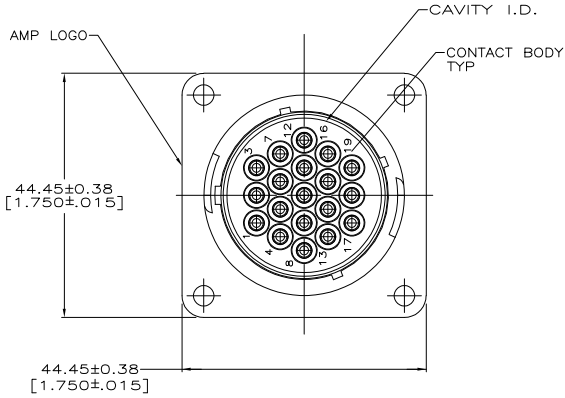
3

2

1

THIS DRAWING IS UNPUBLISHED. RELEASED FOR PUBLICATION
 © COPYRIGHT BY TYCO ELECTRONICS CORPORATION. ALL RIGHTS RESERVED.

LOC	DIST	REVISIONS		
F	L/R	DESCRIPTION	DATE	BY
D		REVISED PER ECO-07-007552	4/20/07	SS SH



6.20[.244]	△	213859-3
15.70[.618]	△	213859-2
15.70[.618]	△	213859-1
DIM A	CONTACT FINISH	PART NUMBER

DIMENSIONS		DATE	BY	NAME	COMPANY	ADDRESS	PHONE
mm [INCHES]		01-06-95	D. HARDY	STONE	Tyco Electronics Corporation	Harrisburg, PA 17105-3608	
TOLERANCES UNLESS OTHERWISE SPECIFIED		01-09-95					
0 PLC	± .005						
1 PLC	± .0025						
2 PLC	± 0.025 (0.010)						
3 PLC	± 0.127 (0.050)						
4 PLC	± .005						
FINISH							
CONTACT: SEE TABLE							
MATERIAL							
HOUSING							
CONTACT SPRING							
CONTACT BODY & POST							
THIS DRAWING IS A CONTROLLED DOCUMENT.							
PRODUCT SPEC							
108-10024							
APPLICATION SPEC							
114-10038							
WEIGHT							
CUSTOMER DRAWING							
SIZE							
A2 00779 C=213859							
SCALE							
2:1							
SHEET							
1 of 2							
REV							
D							

AMP 1471-9 REV 31MM2000

213859

A

RESTRICTED TO

REV

D

1

2

SHEET

1

of 2

REV

D

SCALE

2:1

C=213859

A2 00779

SIZE

WEIGHT

APPLICATION SPEC

PRODUCT SPEC

NAME

DATE

BY

COMPANY

ADDRESS

PHONE

THIS DRAWING IS A CONTROLLED DOCUMENT.

DIMENSIONS

TOLERANCES UNLESS OTHERWISE SPECIFIED

FINISH

MATERIAL

HOUSING

CONTACT SPRING

CONTACT BODY & POST

SCALE

SHEET

of 2

REV

D

RESTRICTED TO

1

2

SHEET

1

of 2

REV

D

SCALE

2:1

C=213859

A2 00779

SIZE

WEIGHT

APPLICATION SPEC

PRODUCT SPEC

NAME

DATE

BY

COMPANY

ADDRESS

PHONE

THIS DRAWING IS A CONTROLLED DOCUMENT.

DIMENSIONS

TOLERANCES UNLESS OTHERWISE SPECIFIED

FINISH

MATERIAL

HOUSING

CONTACT SPRING

CONTACT BODY & POST

SCALE

SHEET

of 2

REV

D

RESTRICTED TO

1

2

SHEET

1

of 2

REV

D

SCALE

2:1

C=213859

A2 00779

SIZE

WEIGHT

APPLICATION SPEC

PRODUCT SPEC

NAME

DATE

BY

COMPANY

ADDRESS

PHONE

THIS DRAWING IS A CONTROLLED DOCUMENT.

DIMENSIONS

TOLERANCES UNLESS OTHERWISE SPECIFIED

FINISH

MATERIAL

HOUSING

CONTACT SPRING

CONTACT BODY & POST

SCALE

SHEET

of 2

REV

D

RESTRICTED TO

1

2

SHEET

1

of 2

REV

D

SCALE

2:1

C=213859

A2 00779

SIZE

WEIGHT

APPLICATION SPEC

PRODUCT SPEC

NAME

DATE

BY

COMPANY

ADDRESS

PHONE

THIS DRAWING IS A CONTROLLED DOCUMENT.

DIMENSIONS

TOLERANCES UNLESS OTHERWISE SPECIFIED

FINISH

MATERIAL

HOUSING

CONTACT SPRING

CONTACT BODY & POST

SCALE

SHEET

of 2

REV

D

RESTRICTED TO

1

2

SHEET

1

of 2

REV

D

SCALE

2:1

C=213859

A2 00779

SIZE

WEIGHT

APPLICATION SPEC

PRODUCT SPEC

NAME

DATE

BY

COMPANY

ADDRESS

PHONE

THIS DRAWING IS A CONTROLLED DOCUMENT.

DIMENSIONS

TOLERANCES UNLESS OTHERWISE SPECIFIED

FINISH

MATERIAL

HOUSING

CONTACT SPRING

CONTACT BODY & POST

SCALE

SHEET

of 2

REV

D

RESTRICTED TO

1

2

SHEET

1

of 2

REV

D

SCALE

2:1

C=213859

A2 00779

SIZE

WEIGHT

APPLICATION SPEC

PRODUCT SPEC

NAME

DATE

BY

COMPANY

ADDRESS

PHONE

THIS DRAWING IS A CONTROLLED DOCUMENT.

DIMENSIONS

TOLERANCES UNLESS OTHERWISE SPECIFIED

FINISH

MATERIAL

HOUSING

CONTACT SPRING

CONTACT BODY & POST

SCALE

SHEET

of 2

REV

D

RESTRICTED TO

1

2

SHEET

1

of 2

REV

D

SCALE

2:1

C=213859

A2 00779

SIZE

WEIGHT

APPLICATION SPEC

PRODUCT SPEC

NAME

DATE

BY

COMPANY

ADDRESS

PHONE

THIS DRAWING IS A CONTROLLED DOCUMENT.

DIMENSIONS

TOLERANCES UNLESS OTHERWISE SPECIFIED

FINISH

MATERIAL

HOUSING

CONTACT SPRING

CONTACT BODY & POST

SCALE

SHEET

4

3

2

1

THIS DRAWING IS UNPUBLISHED. RELEASED FOR PUBLICATION
 BY TYCO ELECTRONICS CORPORATION. ALL RIGHTS RESERVED.

LOC	DIST	REVISIONS				
FT	0	F	LR	DATE	BY	APPD
-	-	-	-	SEE SHEET 1	-	-

NYLON, UL94V-0 RATED, BLACK.

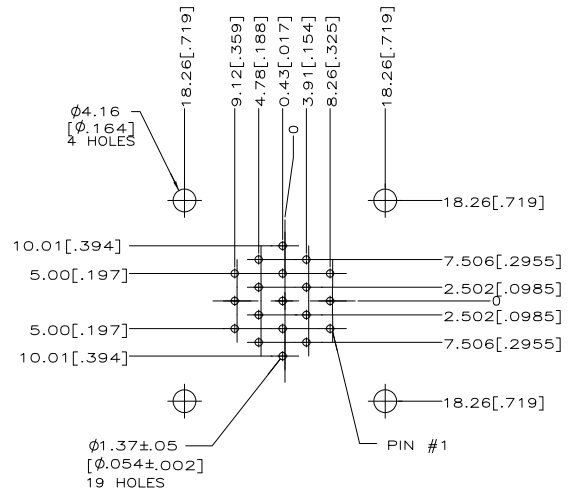
STAINLESS STEEL.

BRASS

CONTACT BODY: 0.76um[.000030] MIN GOLD FOR A LENGTH OF 5.08[.200] MIN FROM MATING END. GOLD FLASH ON REMAINDER, BOTH OVER 1.27um[.000050] MIN NICKEL.
 CONTACT POST: 2.54um[.000100] MIN TIN-LEAD OVER 1.27um[.000050] MIN NICKEL.

5. RECOMMENDED PC BOARD HOLE SIZE FOR CONTACT POST = 0.89±0.08[.035±.003] DIA.

CONTACT BODY: 0.76um[.000030] MIN GOLD FOR A LENGTH OF 5.08[.200] MIN FROM MATING END. GOLD FLASH ON REMAINDER, BOTH OVER 1.27um[.000050] MIN NICKEL.
 CONTACT POST: 2.54um[.000100] MIN TIN OVER 1.27um[.000050] MIN NICKEL.



RECOMMENDED P.C. BOARD LAYOUT

THIS DRAWING IS A CONTROLLED DOCUMENT.		DN D. HARDY 01-06-95	Tyco Electronics Corporation Harrisburg, PA 17105-3608	
DIMENSIONS: mm [INCHES]		CHK S. STONE 01-09-95	RECEPTACLE ASSEMBLY, POSTED, STANDARD SEX, 23-19, CPC	
TOLERANCES UNLESS OTHERWISE SPECIFIED:		APPD -	RESTRICTED TO	
0 PLC ± -		PRODUCT SPEC 108-10024	SIZE A2	
1 PLC ± -.025 (0.10)		APPLICATION SPEC 114-10038	CAGE CODE 00779	DRAWING NO. 213859
2 PLC ± 0.127 (0.050)		WEIGHT -	SCALE 2:1	
3 PLC ± -		SHEET 2 of 2		
4 PLC ± -		REV D		
MATERIAL: NYLON		CUSTOMER DRAWING		
CONTACT SPRING: STAINLESS STEEL				
CONTACT BODY & POST: BRASS				

AMP 1471-9 REV 31MM2000

213859