

4

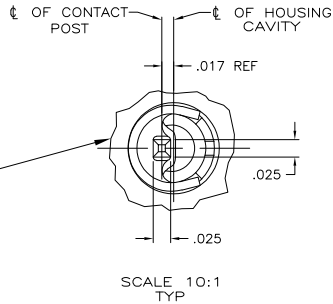
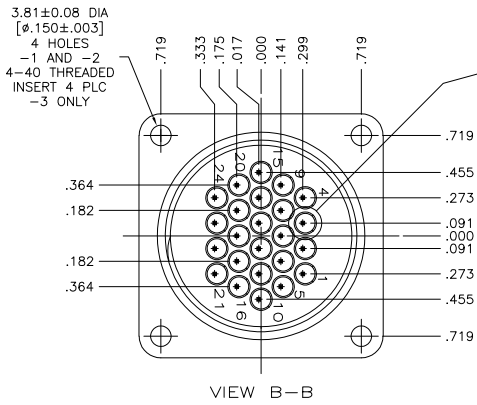
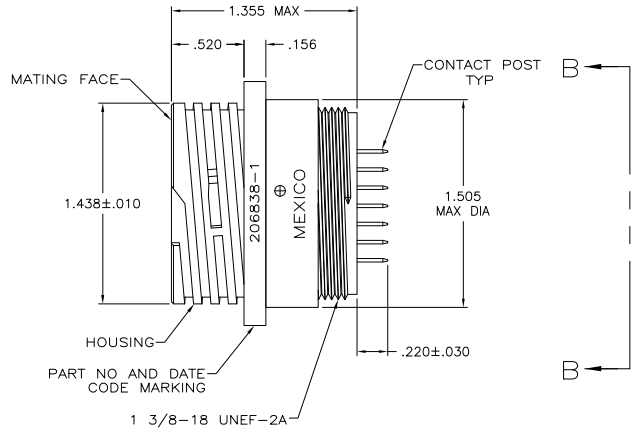
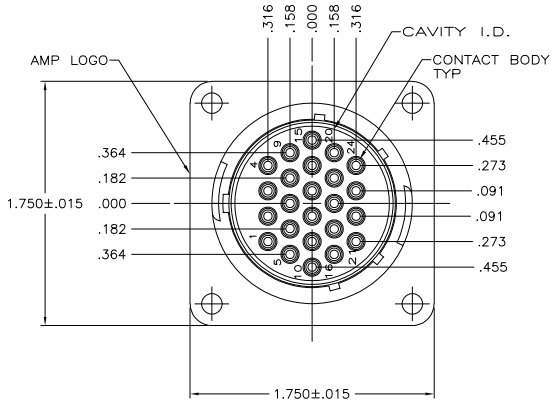
3

2

1

THIS DRAWING IS UNPUBLISHED. RELEASED FOR PUBLICATION
 © COPYRIGHT BY TYCO ELECTRONICS CORPORATION. ALL RIGHTS RESERVED.

LOC		DIST		REVISIONS			
P	LTR	DESCRIPTION	DATE	MIN	APD		
D		REVISED PER ECO-07-003854	2/19/07	SS	SH		



NOTES:

- 1 NYLON, UL 94V-0 RATED, BLACK.
- 2 STAINLESS STEEL.
- 3 BRASS.
- 4 CONTACT BODY: .000030 MIN GOLD FOR A LENGTH OF .200 MIN FROM MATING END. GOLD FLASH ON CONTACT
- 5 CONTACT POST: .000100 MIN TIN-LEAD OVER .000050 MIN NICKEL.
- 6 CONTACT POST: .000100 MIN TIN OVER .000050 MIN NICKEL.
- 7. RECOMMENDED PC BOARD HOLE SIZE FOR CONTACT POST = .050±.003 DIA.

YES	5	213780-3
NO	6	213780-2
NO	5	213780-1
THREADED INSERTS	POST FINISH	PART NUMBER

THIS DRAWING IS A CONTROLLED DOCUMENT.		DATE		Tyco Electronics Corporation	
DRAWN BY: W. LENKER		08/20/93		Harrisburg, PA 17105-3608	
CHECKED BY: S. STONE		08/24/93		Tyco Electronics	
DIMENSIONS: INCHES		PRODUCT SPEC: 108-10024		RECEPTACLE ASSEMBLY, POSTED, STD SEX, SERIES 1, 23-24, CPC	
OTHER DIMENSIONS: MILLIMETERS		APPLICATION SPEC: 114-10038		SIZE: A2	
MATERIAL: HOUSING: NYLON, CONTACT SPRING: BRASS, CONTACT BODY & POST: BRASS		FINISH: -		CAGE CODE: 00779	
CUSTOMER DRAWING		DRAWING NO: C-213780		RESTRICTED TO: -	
		SCALE: 2:1		SHEET: 1 of 2	
				REV: D	

AMP 1471-9 REV 31MM2000

213780

A

4

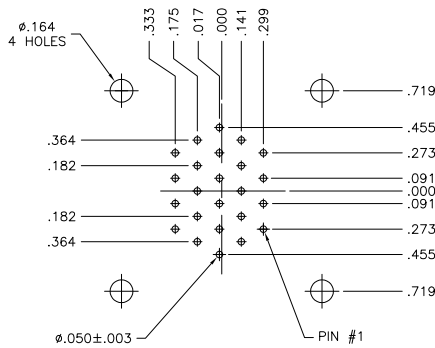
3

2

1

THIS DRAWING IS UNPUBLISHED. RELEASED FOR PUBLICATION
 © COPYRIGHT BY TYCO ELECTRONICS CORPORATION. ALL RIGHTS RESERVED.

LOC	DIST	REVISIONS					
FT	0	P	LYR	DESCRIPTION	DATE	BY	APPD
				SEE SHEET 1			



RECOMMENDED P.C. BOARD LAYOUT
 BOTTOM SIDE

THIS DRAWING IS A CONTROLLED DOCUMENT.		DN W. LENKER	09/20/93	Tyco Electronics Corporation Harrisburg, PA 17105-3608			
DIMENSIONS: INCHES		OK S. STONE	09/24/93				
DIMENSIONS: INCHES 0 PLC ± .010 1 PLC ± .010 2 PLC ± .010 3 PLC ± .010 4. P.C. ± .010 ANGLES ± .010 FINISH -		PRODUCT SPEC 108-10024 APPLICATION SPEC 114-10038 HEIGHT -	NAME RECEPTACLE ASSEMBLY, POSTED, STD SEX, SERIES 1, 23-24, CPC	SIZE A2	CHG CODE 00779	DRAWING NO C=213780	RESTRICTED TO -
MATERIAL: HOUSING: Δ CONTACT SPRING: Δ CONTACT BODY & POST: Δ		CUSTOMER DRAWING		SCALE: 2:1	SHEET: 2 of 2	REV: D	

AMP 1471-9 REV 31MM2000

213780