

4

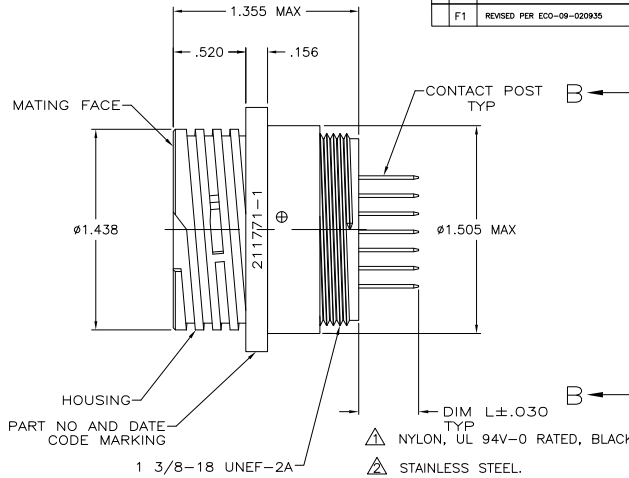
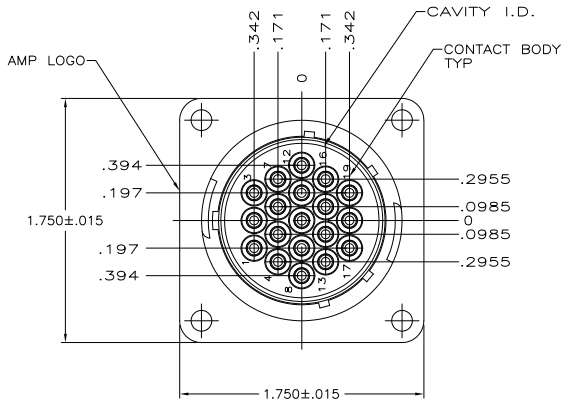
3

2

1

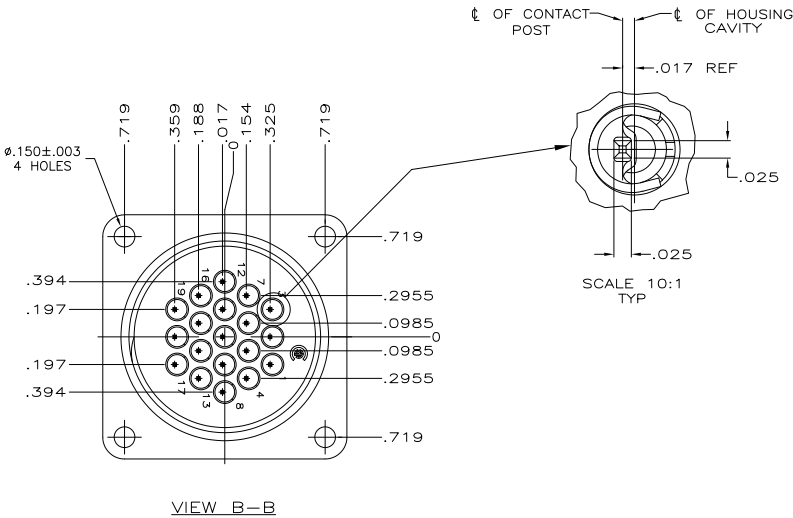
THIS DRAWING IS UNPUBLISHED. RELEASED FOR PUBLICATION
 © COPYRIGHT BY TYCO ELECTRONICS CORPORATION. ALL RIGHTS RESERVED.

LOC		REVISIONS					
FT	0	P	LR	DESCRIPTION	DATE	MIN	APD
		F		REVISED PER ECO-07-007552	4/20/07	SS	SH
		F1		REVISED PER ECO-09-020935	26AUG09	KK	AEG



- ▲ NYLON, UL 94V-0 RATED, BLACK.
- ▲ STAINLESS STEEL.
- ▲ BRASS.
- ▲ CONTACT BODY: .000030 MIN GOLD FOR A LENGTH .200 MIN FROM MATING END. GOLD FLASH ON REMAINDER, BOTH OVER .000050 MIN NICKEL.
- ▲ CONTACT POST: .000100 MIN TIN-LEAD OVER .000050 MIN NICKEL.
- ▲ CONTACT POST: .000100 MIN TIN OVER .000050 MIN NICKEL.
- 7. RECOMMENDED PC BOARD HOLE SIZE FOR CONTACT POST = .035±.003 DIA.
- ▲ SELECT LOAD: NO CONTACTS IN POSITIONS 5 AND 6.
- ▲ OBSOLETE PARTS: OBSOLETE CIS STREAMLINING PER D.RENAUD/D.SINISI

▲	.244	213782-7
▲	.429	213782-4
▲	.119	213782-3
▲	.244	213782-2
▲	.429	213782-1
POST FINISH	DIM L	PART NUMBER



THIS DRAWING IS A CONTROLLED DOCUMENT. **W. LENKER** 08/20/93
S. STONE 08/24/93
 Tyco Electronics Corporation
 Harrisburg, PA 17105-3608

RECEPTACLE ASSEMBLY, POSTED, STD SEX, SERIES 1, 23-19, CPC

DIMENSIONS: INCHES	PLC 1 ± .005	PLC 2 ± .005	PLC 3 ± .005	PLC 4 ± .005	PLC 5 ± .005	PLC 6 ± .005	PLC 7 ± .005	PLC 8 ± .005	PLC 9 ± .005	PLC 10 ± .005
MATERIAL: HOUSING	CONTACT SPRING	CONTACT BODY & POST	FINISH							

SIZE: A2 CASE CODE: 00779 DRAWING NO: C-213782 RESTRICTED TO: CUSTOMER DRAWING SCALE: 2:1 SHEET: 1 of 2 REV: F1

AMP 1471-9 REV 31MM0200

213782

A

4

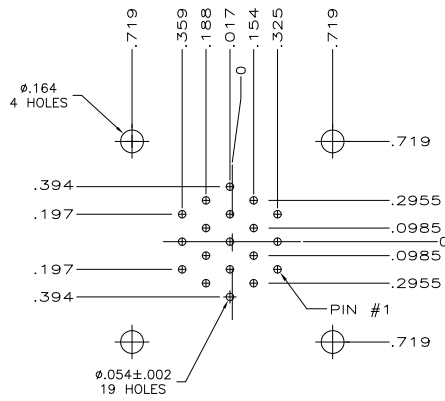
3

2

1

THIS DRAWING IS UNPUBLISHED. RELEASED FOR PUBLICATION
 © COPYRIGHT BY TYCO ELECTRONICS CORPORATION. ALL RIGHTS RESERVED.

LOC	DIST	REVISIONS					
FT	0	P	LTR	DESCRIPTION	DATE	BY	APP'D
				SEE SHEET 1			



RECOMMENDED P.C. BOARD LAYOUT

THIS DRAWING IS A CONTROLLED DOCUMENT.		DWG: WJENKER 08/20/93 CHK: S. STONE 08/24/93 APP'D: - PRODUCT SPEC: 108-10024 APPLICATION SPEC: 114-10038 HEIGHT: - CUSTOMER DRAWING	Tyco Electronics Corporation Harrisburg, PA 17105-3608 Tyco Electronics RECEPTACLE ASSEMBLY, POSTED, STD SEX, SERIES 1, 23-19, CPC SIZE: A2 CAGE CODE: 00779 DRAWING NO: C-213782 RESTRICTED TO: - SCALE: 2:1 SHEET: 2 of 2 REV: F1
DIMENSIONS: INCHES 0 PLG ± - 1 PLG ± - 2 PLG ± .005 3 PLG ± .0050 4 PLG ± - ANGLES ± - FINISH: - MATERIAL: HOUSING: △ CONTACT SPRING: △ CONTACT BODY & POST: △	TOLERANCES UNLESS OTHERWISE SPECIFIED: 0 PLG ± - 1 PLG ± - 2 PLG ± .005 3 PLG ± .0050 4 PLG ± - ANGLES ± - FINISH: -		