

4

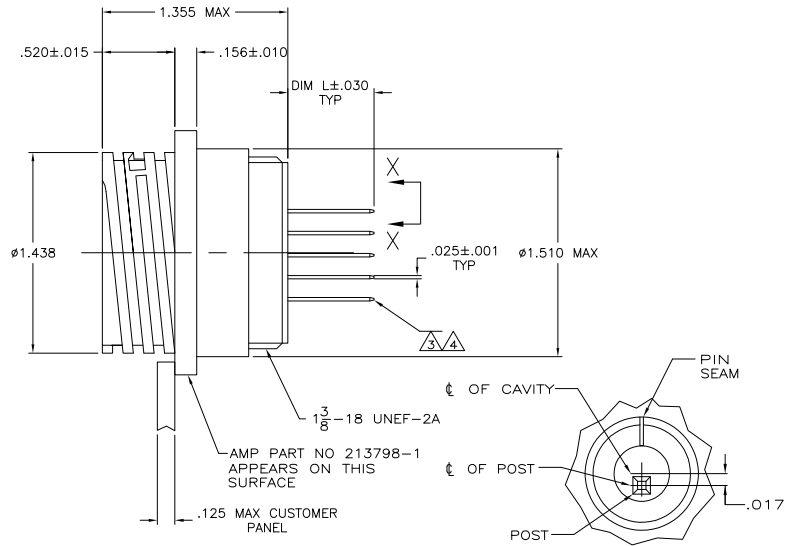
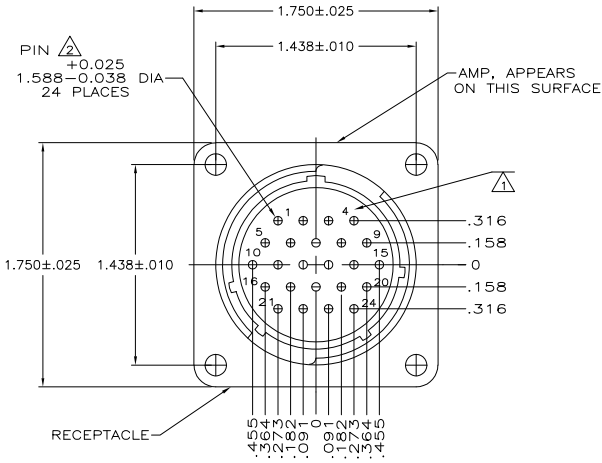
3

2

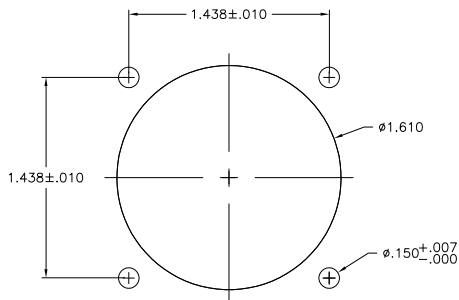
1

THIS DRAWING IS UNPUBLISHED. RELEASED FOR PUBLICATION
 © COPYRIGHT BY TYCO ELECTRONICS CORPORATION. ALL RIGHTS RESERVED.

LOC	DIST	REVISIONS		29NOV01	RH	DATE	MIN	APD
FT	0	F	LR	DESCRIPTION				
		C		REVISE PER EDD-06-2610		2/17/06	SS	SH



VIEW X-X
 TYPICAL
 SCALE 10:1



RECOMMENDED PANEL CUTOUT

- ① CAVITY IDENTIFICATION CHARACTERS ON FRONT AND REAR FACE.
- ② .000030 MIN GOLD FOR A LENGTH OF .250 MIN FROM MATING END OVER .000050 MIN NICKEL.
- ③ .000100 MIN TIN-LEAD OVER .000050 MIN NICKEL ON THIS END.
- ④ .000100 MIN TIN OVER .000050 MIN NICKEL ON THIS END.

①	.618	213798-3
②	.244	213798-2
③	.618	213798-1
POST FINISH	DIM L	PART NUMBER

DIMENSIONS:		TOLERANCE UNLESS OTHERWISE SPECIFIED:		PRODUCT SPEC		APPLICATION SPEC		SIZE		CAGE CODE		DRAWING NO.		RESTRICTED TO	
INCHES		0	PLC	±											
		1	PLC	±											
		2	PLC	±	0.1%										
		3	PLC	±											
		4	PLC	±											
			ANGLE	±											
			FINISH												
MATERIAL:		PIN: BRASS													
RECEPTACLE: NYLON, BLACK															
THIS DRAWING IS A CONTROLLED DOCUMENT.		DR: D. BROCKWAY 06-30-94		CR: R. STONE 07-06-94		DATE: 06-30-94		BY: R. STONE		NAME: R. STONE		TYCO ELECTRONICS		Tyco Electronics Corporation Harrisburg, PA 17105-3608	
CUSTOMER DRAWING						108-10024		A2		00779		C-213798		SCALE: 2:1 SHEET: 1 of 2 REV: C	

AMP 1471-9 REV 31MAR2000

213798

A

4

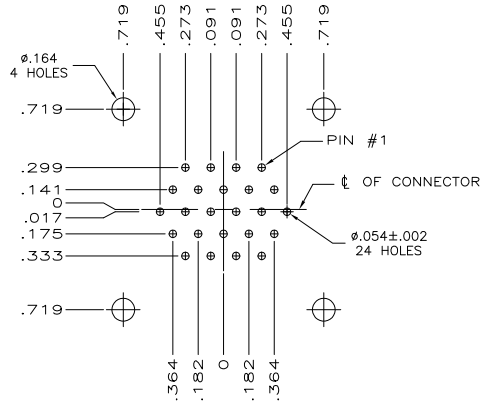
3

2

1

THIS DRAWING IS UNPUBLISHED. RELEASED FOR PUBLICATION
 © COPYRIGHT BY TYCO ELECTRONICS CORPORATION. ALL RIGHTS RESERVED.

LOC	DIST	REVISIONS					
FT	0	P	LTR	DESCRIPTION	DATE	BY	APPD
				SEE SHEET 1			



RECOMMENDED P.C. BOARD LAYOUT

THIS DRAWING IS A CONTROLLED DOCUMENT.		DR: D. BROCKWAY 06-30-94	Tyco Electronics Corporation																					
DIMENSIONS: INCHES		CK: S. STONE 07-06-94	Harrisburg, PA 17105-3608																					
<table border="1"> <tr> <th>NO.</th> <th>PLC</th> <th>REV.</th> <th>DATE</th> </tr> <tr> <td>1</td> <td>PLC</td> <td>1</td> <td>06-30-94</td> </tr> <tr> <td>2</td> <td>PLC</td> <td>2</td> <td>07-06-94</td> </tr> <tr> <td>3</td> <td>PLC</td> <td>3</td> <td>07-06-94</td> </tr> <tr> <td>4</td> <td>PLC</td> <td>4</td> <td>07-06-94</td> </tr> </table>		NO.	PLC	REV.	DATE	1	PLC	1	06-30-94	2	PLC	2	07-06-94	3	PLC	3	07-06-94	4	PLC	4	07-06-94	PRODUCT SPEC: 108-10024	RECEPTACLE ASSEMBLY, 23-24 STANDARD SEX, POSTED CONTACTS, CPC	
NO.	PLC	REV.	DATE																					
1	PLC	1	06-30-94																					
2	PLC	2	07-06-94																					
3	PLC	3	07-06-94																					
4	PLC	4	07-06-94																					
MATERIAL: PIN: BRASS RECEPTACLE: NYLON, BLACK		APPLICATION SPEC: -	SIZE: A2	CHG CODE: 00779	DRAWING NO: C=213798																			
FINISH: -		HEIGHT: -	CUSTOMER DRAWING		RESTRICTED TO: -																			
		SCALE: 2:1	SHEET: 2 of 2	REV: C																				

AMP 1471-9 REV 31MM2000

213798