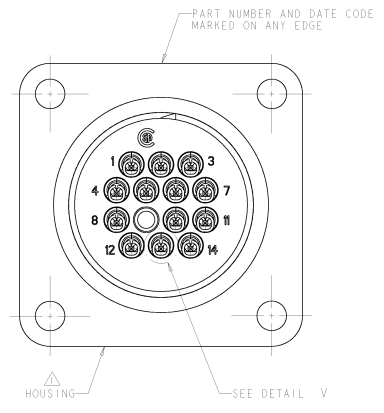
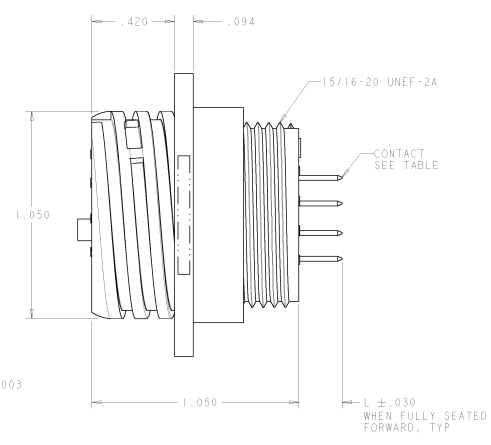
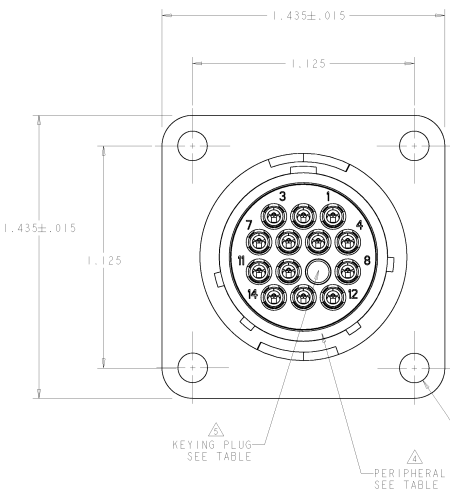
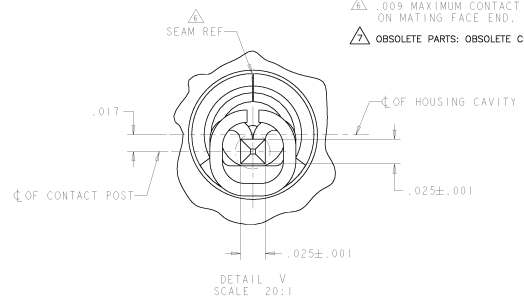


REV. NO.		REV. DATE		REV. BY		REV. FOR	
0	1	0					
L	1	REVISED EC 0638-0830-83	06/08/83	DMG/SHH	DM	DR	
M	1	REVISED EC 0638-0224-84	02/24/84	DMG/SHH	DM	SH	
N	1	REVISED EC 0638-0003-85	03/03/85	DMG/SHH	DM	SH	
P	1	ADDED 1-7, 1-8 EC-06-082410	10/08/86	DM	SH	SH	
P1	1	REVISED PER ECO-09-025699	09/04/90	KK	MM	MM	



- △ HOUSING: NYLON, UL 94 V-0 RATED, BLACK.
- △ CONTACT:
BODY - BRASS, .000100 MIN TIN-LEAD OVER .000050 MIN NICKEL.
POST - BRASS, .000100 MIN TIN-LEAD OVER .000050 MIN NICKEL.
- △ CONTACT:
BODY - BRASS, .000100 MIN TIN OVER .000050 MIN NICKEL.
POST - BRASS, .000100 MIN TIN OVER .000050 MIN NICKEL.
- △ PERIPHERAL SEAL: ELASTOMER, GRAY.
- △ KEYING PLUG: NYLON, NATURAL.
- △ .009 MAXIMUM CONTACT LEAD-IN SEAM GAP PERMISSIBLE ON MATING FACE END.
- △ OBSOLETE PARTS: OBSOLETE CIS STREAMLINING PER D.RENAUD/D.SINISI

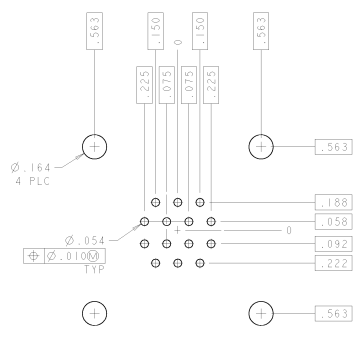


STATUS	L	KEYING PLUG	PERIPHERAL SEAL	FINISH	QTY	SELECT LOAD IN POSITIONS	PART NUMBER
				△	13	1-5, 7-14	1-213825-8
				△	14	ALL	1-213825-7
△ OBSOLETE				△	11	1, 3, 4, 6, 8-14	1-213825-9
△ OBSOLETE				△	13	1-8, 10-14	1-213825-6
△ OBSOLETE				△	13	1-5, 7-14	1-213825-5
PRELIMINARY				△	12	1, 2, 4, 5, 7-14	1-213825-3
				△	13	1-8, 10-14	1-213825-2
△ OBSOLETE				△	13	1-5, 7-14	1-213825-0
				△	13	1-5, 7-14	1-213825-0
△ OBSOLETE				△	11	1, 3, 4, 6, 8-14	213825-9
				△	13	1-8, 10-14	1-213825-9
△ OBSOLETE				△	13	1-5, 7-14	213825-4
△ OBSOLETE				△	13	1-5, 7-14	1-213825-3
△ OBSOLETE				△	11	1, 3, 4, 6, 8-14	1-213825-3
				△	14	ALL	213825-1

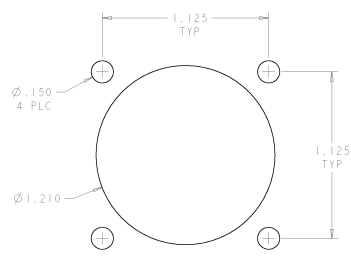
MATERIAL		FINISH		MATERIAL		FINISH	
INCHES		MILS		INCHES		MILS	
MATERIAL		FINISH		MATERIAL		FINISH	
MATERIAL		FINISH		MATERIAL		FINISH	

AMP Telex Electronics
 Harrisburg, PA 17105-8808
 RECEPTACLE ASSEMBLY, POSTED,
 SERIES 1, REVERSE SEAL, CPC
 A 00778 213825
 CUSTOMER DRAWING

REV	DATE	DESCRIPTION	BY	CHK	APP
0		SEE SHEET 1			



RECOMMENDED PC BOARD LAYOUT
SCALE 3:1



RECOMMENDED PANEL LAYOUT
.125 MAX PANEL THICKNESS
SCALE 3:1

AMP Terry Electronics Harrisburg, PA 17105-8808	
PART NO. 238472003 REVISION 1 DATE 08/11/03	PART NO. 238472003 REVISION 1 DATE 08/11/03
RECEPTACLE ASSEMBLY, POSTED, SERIES 1, REVERSE SEX, CPC	
MATERIAL FINISH	PART NO. 00778 (2)-213825 CUSTOMER DRAWING