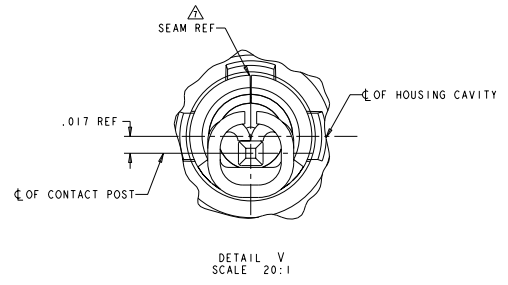
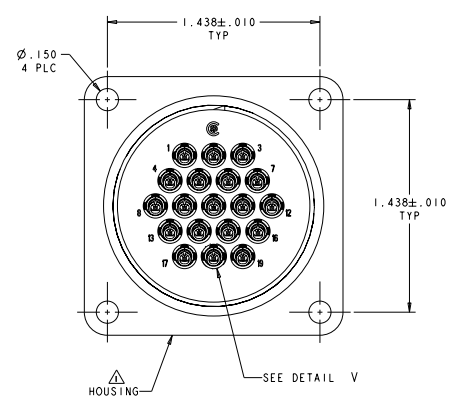
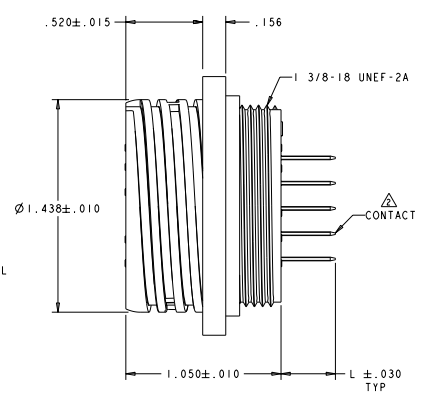
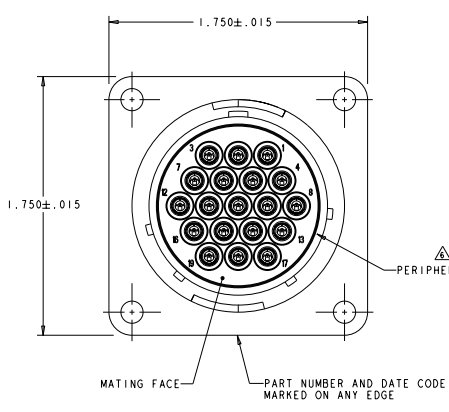


REV	DATE	DESCRIPTION	BY	CHK	APP
L		REVISED ECO-M-026317	INDCHEN	SM	SH
L1		REVISED PER ECO-99-025699	INDCHEN	KK	AEQ



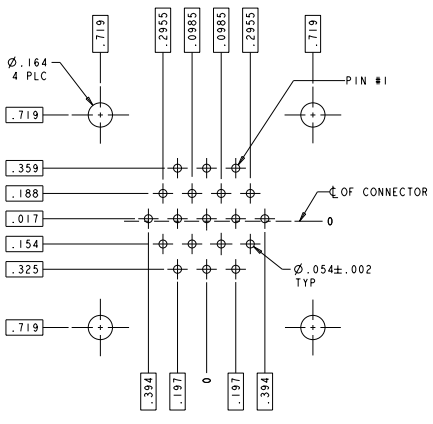
- △ HOUSING: NYLON, UL 94 V-0 RATED, COLOR: BLACK.
- △ CONTACT:  
 BODY - BRASS, .000100 MIN TIN-LEAD OVER .000050 MIN NICKEL.  
 POST - BRASS, .000100 MIN TIN-LEAD OVER .000050 MIN NICKEL.
- △ CONTACT:  
 BODY - BRASS, .000100 MIN TIN-LEAD OVER .000050 MIN NICKEL.  
 POST - BRASS, .000030 MIN GOLD OVER .000050 MIN NICKEL.
- △ CONTACT:  
 BODY - BRASS, .000030 MIN GOLD OVER .000030 MIN NICKEL.  
 POST - BRASS, .000100 MIN TIN-LEAD OVER .000050 MIN NICKEL.
- △ CONTACT:  
 BODY - BRASS, .000100 MIN TIN OVER .000050 MIN NICKEL.  
 POST - BRASS, .000100 MIN TIN OVER .000050 MIN NICKEL.
- △ PERIPHERAL SEAL - ELASTOMER, COLOR: GRAY.
- △ .009 MAXIMUM CONTACT LEAD-IN SEAM GAP PERMISSIBLE ON MATING FACE END.
- △ OBSOLETE PARTS: OBSOLETE CIS STREAMLINING PER D.RENAUD/D.SINISI

△ OBSOLETE

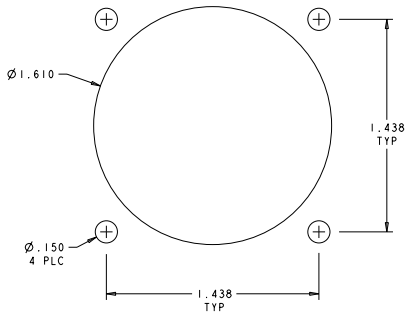
.368	△	YES	ALL	213827-8	
.368	△	YES	1-B, 10-19	213827-7	
.368	△	NO	ALL	213827-6	
.119	△	NO	ALL	213827-5	
.368	△	YES	ALL	213827-4	
.368	△	YES	1-B, 10-19	213827-2	
.368	△	YES	ALL	213827-1	
L		CONTACT FINISH	PERIPHERAL SEAL	SELECT LOADED IN POSITIONS	PART NUMBER

INCHES 1:1 1/8" = 1"	21MAY2003 21MAY2003 188-18074 114-18038 00778 ©=213827	Tech Electronics Harrisburg, PA 17105-3600 RECEPTACLE ASSEMBLY, POSTED, REVERSE SEX, SERIES 1, 23-19, CPC STATE CASE CODE (SEE PAGE 40) 00778 ©=213827	CUSTOMER DRAWING SHEET 3:11 OF 2
----------------------------	--	---	-------------------------------------

REVISORS		DATE	BY	CHK
FT	0			
LN	SEE SHEET 1			



RECOMMENDED PC BOARD LAYOUT



RECOMMENDED PC BOARD LAYOUT  
 .125 MAX PANEL THICKNESS

DATE	21MAY2003	BY	WELDON	21MAY2003	APP	WELDON	21MAY2003
DESCRIPTION	RECEPTACLE ASSEMBLY, POSTED, REVERSE SEX, SERIES 1, 23-19, CPC						
INCHES	A						
SCALE	AS SHOWN						
QUANTITY	1000						
REVISION	A						
CUSTOMER DRAWING	SEE SHEET 1						