

4

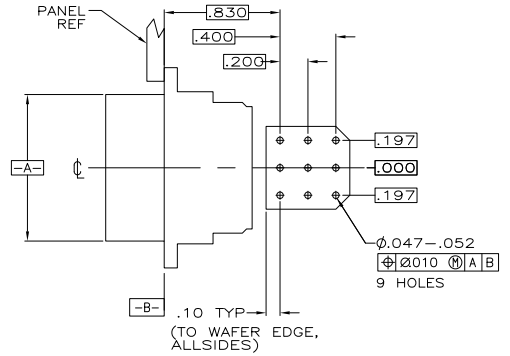
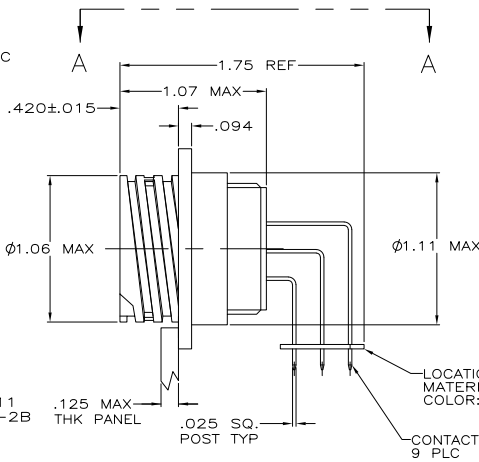
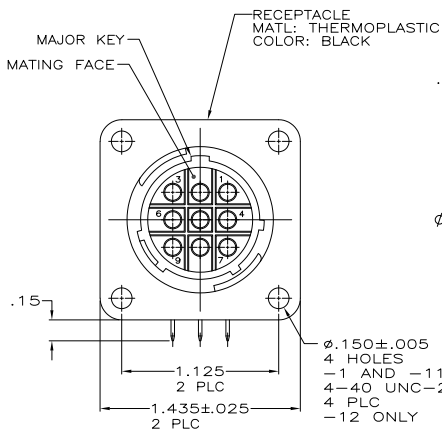
3

2

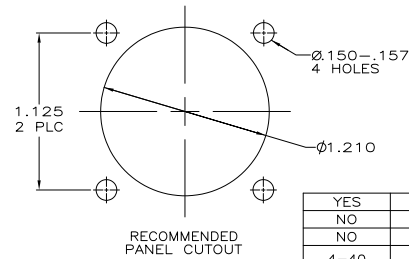
1

THIS DRAWING IS UNPUBLISHED. RELEASED FOR PUBLICATION
 © COPYRIGHT BY TYCO ELECTRONICS CORPORATION. ALL RIGHTS RESERVED.

LOC	DIST	REVISIONS					
FT	0	P	LTR	DESCRIPTION	DATE	BY	APPD
		C		REVISED PER ECO-07-005852	3/14/07	SS	SH
		C1		REVISED PER ECO-09-023313	09OCT09	KK	AEQ



VIEW A-A
 RECOMMENDED PC BOARD LAYOUT



- CONTACT CAVITIES IDENTIFIED BY CHARACTERS ON FRONT AND REAR FACES OF CONNECTOR.
 - #6 FASTENER RECOMMENDED FOR MOUNTING.
- CONTACT BODY: .000030 MIN GOLD FOR A LENGTH OF .200 MIN FROM MATING END, WITH REMAINDER TO BE GOLD FLASH, BOTH OVER .000050 MIN NICKEL.
CONTACT POST: .000100 MIN TIN-LEAD OVER .000100 MIN COPPER.
 - PC BOARD HOLE PATTERN IS DEFINED RELATIVE TO CONNECTOR C.L. AND PANEL MOUNTING FACE INDICATED.
 - CONTACT BODY: .000030 MIN GOLD FOR A LENGTH OF .200 MIN FROM MATING END, WITH REMAINDER TO BE GOLD FLASH, BOTH OVER .000050 MIN NICKEL.
CONTACT POST: .000100 MIN TIN OVER .000100 MIN COPPER.
 - OBsolete PARTS: OBsolete CIS STREAMLINING PER D.RENAUD/D.SINISI

YES	YES	△	1-796501-2
NO	NO	△	1-796501-1
NO	NO	△	796501-1
4-40 THREADED INSERTS	PERIPHERAL SEAL	CONTACT FINISH	PART NUMBER

THIS DRAWING IS A CONTROLLED DOCUMENT.		BY: JHAMNER 4-13-00	Tyco Electronics Corporation Harrisburg, Pa 17105-3608	
DIMENSIONS: INCHES		CHK: M.CHACKO 4-18-00	RECEPTACLE ASSY, POSTED, RT ANGLE, RVS SEX, SIZE 17-9, SERIES 1, CPC	
MATERIAL: -		APP: M.CHACKO 4-18-00	SIZE: A2	
FINISH: -		APPLICATION SPEC: -	CAGE CODE: 00779	
		WEIGHT: -	DRAWING NO: C=796501	
		CUSTOMER DRAWING		RESTRICTED TO: -
		SCALE: 2:1		SHEET: 1 of 1
				REV: C1

AMP 1471-9 REV 31MM2000

796501

A