

4

3

2

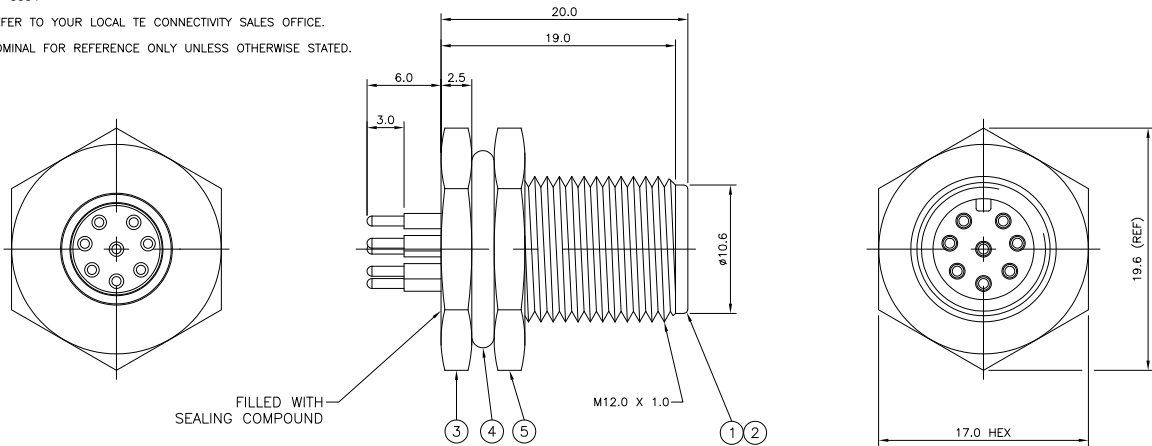
1

THIS DRAWING IS UNPUBLISHED. RELEASED FOR PUBLICATION
 © COPYRIGHT - By - ALL RIGHTS RESERVED.

LOC	DIST	REVISIONS					
		P	LTR	DESCRIPTION	DATE	DWN	APVD
E	B	A1		REVISED PER ECO-11-005150	21MAR11	RK	HMR

- NOTES:**
- ELECTRICAL DATA: CONTACT RESISTANCE: 10 mOhm MAX
 INSULATION RESISTANCE: 100 MOhm MIN at 500VDC
 CURRENT RATING: 5 AMPS (FOR 3, 4 AND 5 POSITIONS) AND 2 AMPS (FOR 8 POSITION ONLY)
 BREAKDOWN VOLTAGE: 500 VAC MIN PER MINUTE
 - ENVIRONMENTAL: OPERATING TEMPERATURE: -25°C TO +90°C
 SEALING REQUIREMENTS: IP67
 - PROD SPEC: 108-3641
 - PACKAGING: 107-3334
 - FOR TECHNICAL DATA REFER TO YOUR LOCAL TE CONNECTIVITY SALES OFFICE.
 - ALL DIMENSIONS ARE NOMINAL FOR REFERENCE ONLY UNLESS OTHERWISE STATED.

ITEM	DESCRIPTION	MATERIAL	FINISH/COLOR	QUANTITY / ITEM			
				-1	-2	-3	-4
1	CONNECTOR HOUSING	GF NYLON	BLACK	1	1	1	1
2	PIN CONTACT	BRASS	0.15µm GOLD OVER NICKEL	3	4	5	8
3	CONNECTOR BODY	BRASS	NICKEL PLATED	1	1	1	1
4	'O' RING	EPDM	BLACK	1	1	1	1
5	SCREW NUT	BRASS	0.25µm NICKEL PLATED	1	1	1	1



DESCRIPTION	NO. OF POS	PART NUMBER
M12 METAL MALE PANEL MOUNT CONNECTOR, PCB, STRAIGHT, FRONT (HEXAGONAL) MOUNTING	8	1838420-4
M12 METAL MALE PANEL MOUNT CONNECTOR, PCB, STRAIGHT, FRONT (HEXAGONAL) MOUNTING	5	1838420-3
M12 METAL MALE PANEL MOUNT CONNECTOR, PCB, STRAIGHT, FRONT (HEXAGONAL) MOUNTING	4	1838420-2
M12 METAL MALE PANEL MOUNT CONNECTOR, PCB, STRAIGHT, FRONT (HEXAGONAL) MOUNTING	3	1838420-1

THIS DRAWING IS A CONTROLLED DOCUMENT.

DIMENSIONS: mm	TOLERANCES UNLESS OTHERWISE SPECIFIED:	DWN: A Morey	8MAR06	TE Connectivity M12 METAL MALE PANEL MOUNT CONNECTOR, SOLDER, STRAIGHT, FRONT (HEXAGONAL) MOUNTING
	0 PLC ± -	CHK: F.Wheeler-King	12APR06	
	1 PLC ± -	APVD: F.Wheeler-King	12APR06	
	2 PLC ± -	PRODUCT SPEC		
MATERIAL	FINISH	APPLICATION SPEC		RESTRICTED TO
		WEIGHT		SIZE: A3
				CAGE CODE: 00779
				DRAWING NO: 1838420
		CUSTOMER DRAWING	SCALE: NTS	SHEET: 1 of 2
				REV: A1

4

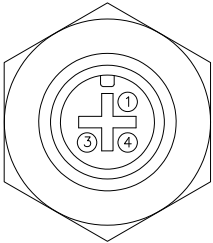
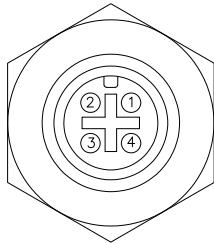
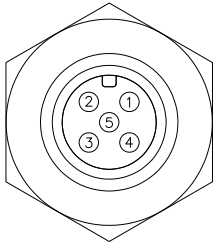
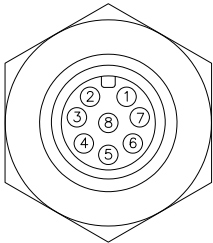
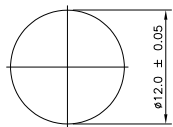
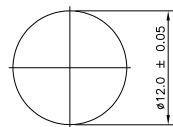
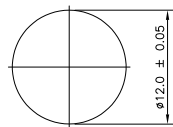
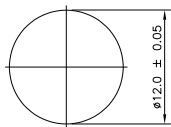
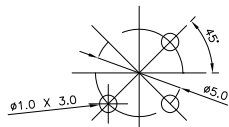
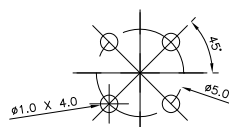
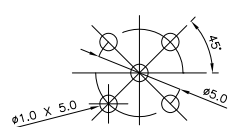
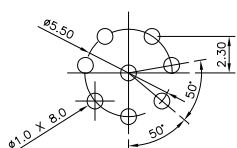
3

2

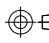
1

THIS DRAWING IS UNPUBLISHED. RELEASED FOR PUBLICATION
 © COPYRIGHT - By - ALL RIGHTS RESERVED.

LOC	DIST	REVISIONS			
P	LTR	DESCRIPTION	DATE	DWN	APVD
E	B				
SEE SHEET 1					

1838420-1	1838420-2	1838420-3	1838420-4
PIN ASSIGNMENTS FRONT VIEW 	PIN ASSIGNMENTS FRONT VIEW 	PIN ASSIGNMENTS FRONT VIEW 	PIN ASSIGNMENTS FRONT VIEW 
RECOMMENDED PANEL CUT-OUT (MAX PANEL THICKNESS 8.0mm) 	RECOMMENDED PANEL CUT-OUT (MAX PANEL THICKNESS 8.0mm) 	RECOMMENDED PANEL CUT-OUT (MAX PANEL THICKNESS 8.0mm) 	RECOMMENDED PANEL CUT-OUT (MAX PANEL THICKNESS 8.0mm) 
RECOMMENDED PCB LAYOUT 	RECOMMENDED PCB LAYOUT 	RECOMMENDED PCB LAYOUT 	RECOMMENDED PCB LAYOUT 

THIS DRAWING IS A CONTROLLED DOCUMENT.

DIMENSIONS:	TOLERANCES UNLESS OTHERWISE SPECIFIED:
mm	
	0 PLC ± -
	1 PLC ± -
	2 PLC ± -
	3 PLC ± -
	4 PLC ± -
	ANGLES ± -
MATERIAL	FINISH
-	-

DWN	DBMAR06
CHK	12APRO6
APVD	12APRO6
NAME	F.Wheeler-King
PRODUCT SPEC	F.Wheeler-King
APPLICATION SPEC	-
WEIGHT	-
CUSTOMER DRAWING	



M12 METAL MALE PANEL MOUNT CONNECTOR, SOLDER, STRAIGHT, FRONT (CIRCULAR) MOUNTING			RESTRICTED TO
SIZE	CAGE CODE	DRAWING NO	
A3	00779	C=1838420	
SCALE NTS		SHEET 2 of 2	REV A1